

VELLEDQ Product Catalogue

Automation Products and Solutions



EtherNet/IP™

CC-Link

CANopen

EtherCAT™

DeviceNet

PROFI
NET

PROFI
BUS



Pre-moulding Cordset
Heavy Duty Connector
Customized Cordset

I/O Connector
Wire and cable
I/O Bus Module
Junction Box

Control Cabinets
Industrial Switch
Robot Dresspack

VELLE Electric (Shanghai) Co., Ltd., established on March 20, 2012, is specialized in the R&D, design, production, installation, construction and sales of industrial automation connection systems and solutions. VELLEDQ is a "High-tech enterprise" and "Specialized and special new" enterprise in Shanghai. VELLEDQ's operation and production headquarters is located in Shanghai and has built a wholly-owned production base in Fujian, with R&D center, cable production workshop, plastic molding workshop, machining center, assembly workshop, warehousing and logistics center and other areas.

VELLEDQ has an independent R&D, production, logistics and external installation construction team. Its main products include: Robot Dresspack System, , Circular connector, Junction box, Heavy-duty connector, I/O bus module, Semiconductor industry harness, Control cabinet integration, wire and cable and other products.

VELLEDQ has passed CE, Rosh, TUV and ISO9001:2015 quality system certification.

VELLEDQ electrical products are widely used in tooling automation, new energy industry, semiconductor integration, automobile industry, 3C industry, rail transit, port machinery, logistics industry, engineering machinery, smart home, lamps, elevators, motors, central air conditioning, mask machine assembly line and non-standard customization.

VELLEDQ sincerely looks forward to the opportunity to cooperate with you.





Customer Reception Area



Test Equipment



Product Assembling Area



Cable Producing Area

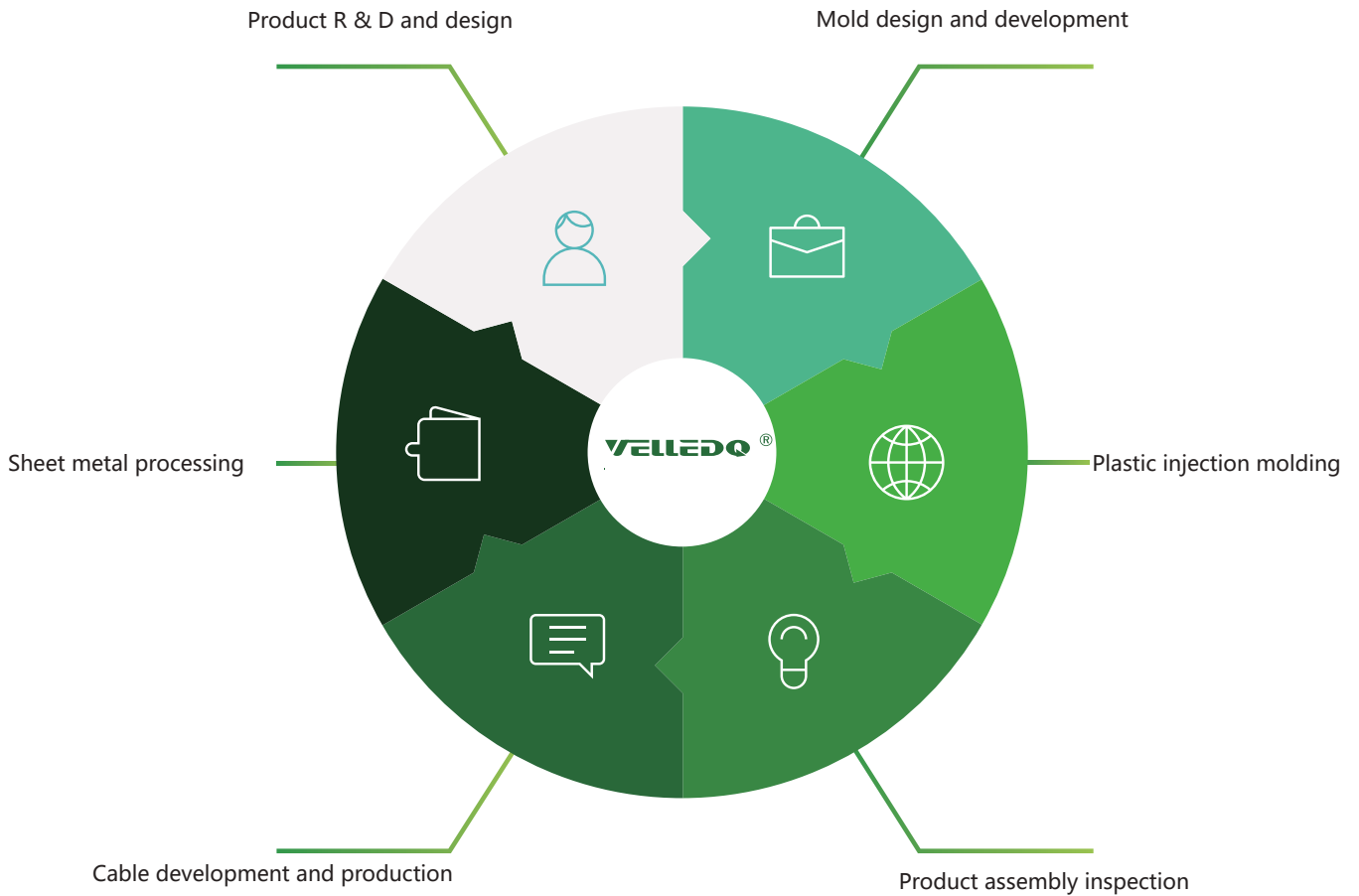


Pre-Moulding Plant



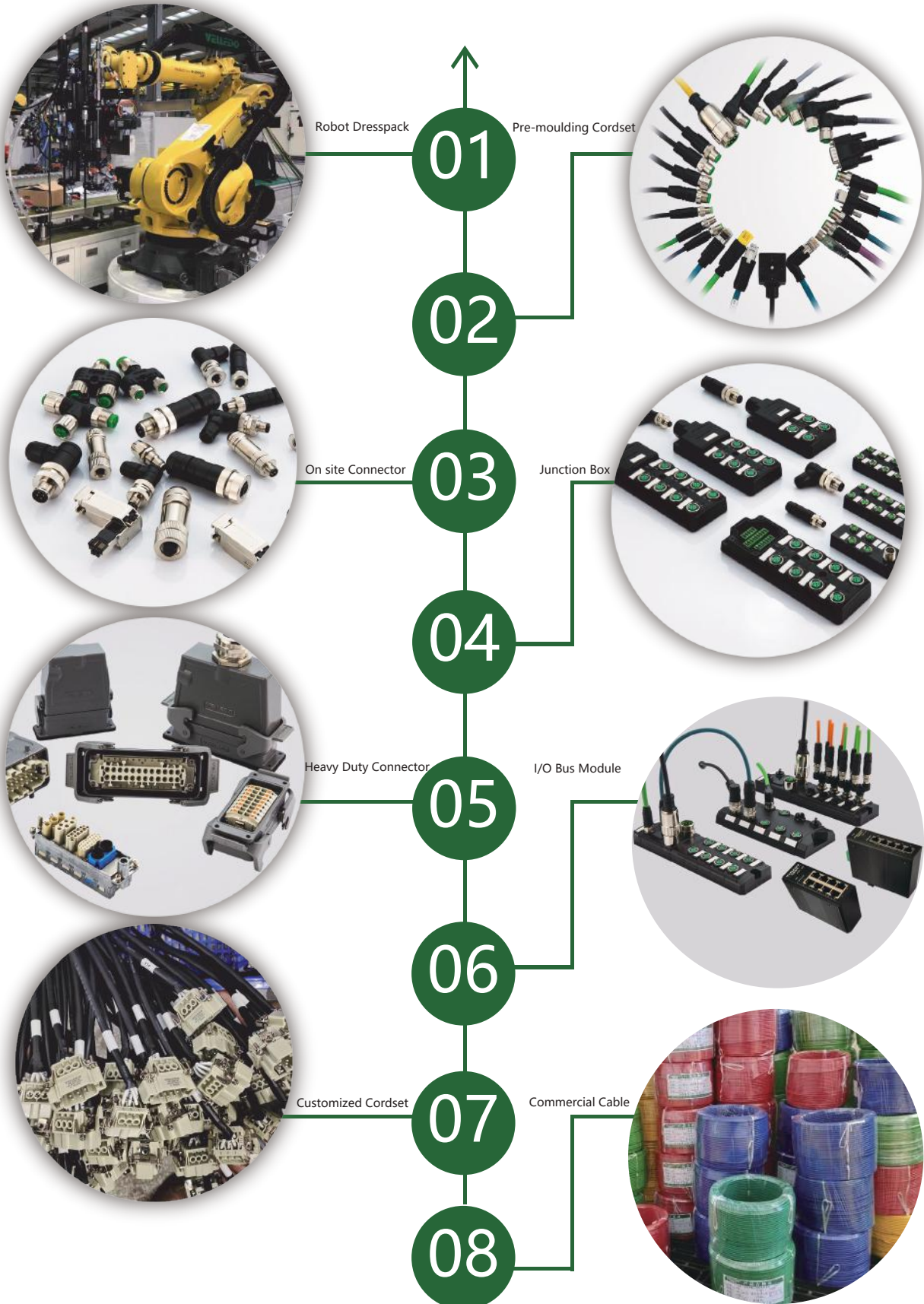
Sheet Metal Machining Area





Both R&D engineers and sales engineers have received professional training, and continue to increase the investment to enhance their ability, etc. With excellent product quality, we will provide more efficient services for Chinese and foreign enterprise users. Services for. Adhere to user demand orientation, continuously improve product quality and service, and accurately provide users with For cost-effective electrical connection and protection products.





01

Robot Dresspack



Automation Manufacture

Robot Dresspack Solution

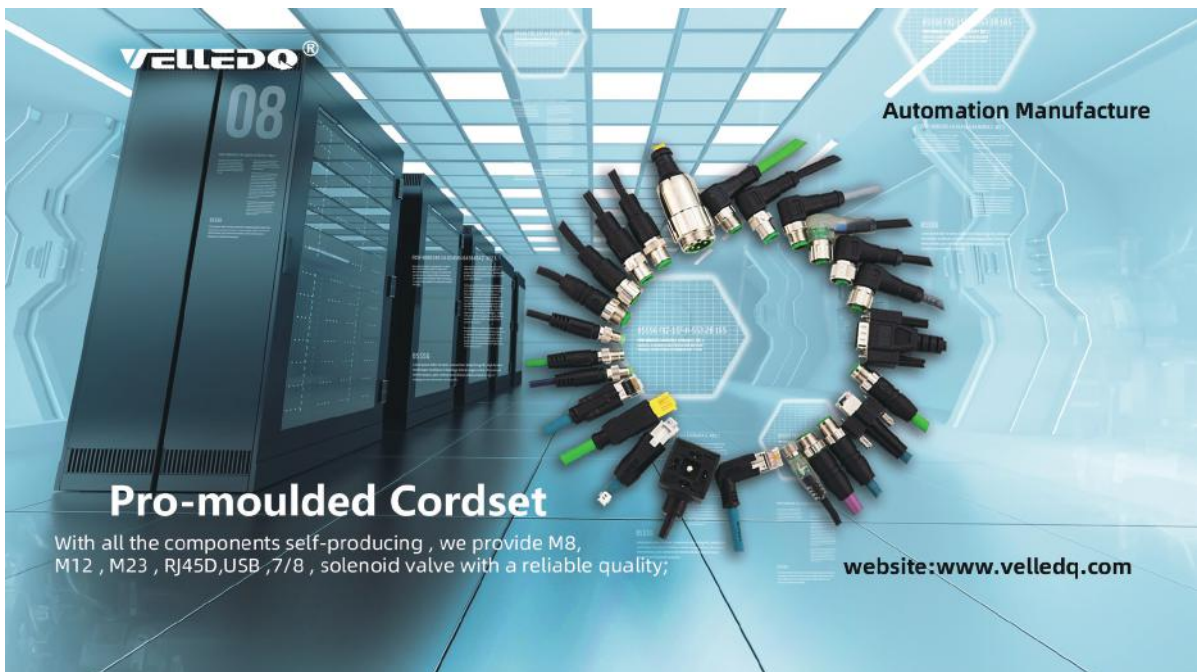
Proposal-selection-producing , we provide a full robot dresspack solution according to site situation . VELLEDQ dresspack is widely used on robots from KUKA , ABB, FANUC, Yaskawa, Chuanrong , etc.

website: www.velledq.com

The advertisement features a central image of various robot dresspack components, including metal brackets, connectors, and a yellow robotic arm. The background is a blue and purple gradient with technical icons and a 'VELLEDQ' logo in the top left corner.

02

Pre-moulding Cordset



Automation Manufacture

Pro-moulded Cordset

With all the components self-producing , we provide M8, M12 , M23 , RJ45D,USB ,7/8 , solenoid valve with a reliable quality;

website: www.velledq.com

The advertisement shows a collection of various pre-moulded cordsets arranged in a circular pattern. The background is a light blue, futuristic-looking environment with server racks and technical graphics. A 'VELLEDQ' logo is visible in the top left corner.



03

On site Connector



VELLEDQ®

Automation Manufacture

Site Installation Connector
M8, M12, Y-Type, Flange, RJ45, 7/8 series, etc ;
Widely used for data transfer, I/O exchange,
Network and power supply;

website:www.velledq.com

04

I/O Junction Box



VELLEDQ®

Automation Manufacture

I/O Junction Box
Release engineer from complicated wire-wire connection ;
Easy, Fast, No mistake, Stable ;
M8 Junction Box : PNP, NPN ; 4, 8, 12 Ports ;
M12 Junction Box : PNP, NPN ; 4, 6, 8, 12 Ports ;

website:www.velledq.com



05

Heavy Duty Connector

VELLEDQ®

Automation Manufacture

Heavy Duty Series

HHA, HE, HEE, HD, HDD, HSB, HK, HQ, HM seires Heavy duty , could transfer electrical, gas and network on Cabinets , Robot Body, Customized product and Autolines ;

website:www.velledq.com

06

I/O Bus Module / Industrial Switch

VELLEDQ®

Automation Manufacture

I/O Network Module/ Industrial Switch

IO Module Used for ProfiNET, DeviceNET, EtherCAT, CANopen protocol communication. M12 IP67 non-managed 8 ports switch used for ProfiNet site communication and RJ45 IP20 DIN type with 5, 8 ports used for inside cabinet ProfiNet communication ;

website:www.velledq.com





Application Area



← ←

1、Logistics industry

The autoline for Goods sorting,storage and transfer is widely built with the development of logistics industry. VELLEDQ provides M8, M12,7/8, RJ45, JunctionBox, HeavyDuty Connector, D-SUB, Valve-Plug, Flange and customized cordsets for logistics warehouse, loading and unloading facilities and driverless forklift,ect. Mainly customers are : Zhenhua Port machinery, dema logistics, etc





← ←
2、 Semiconductor Industry

With foreign technology Blocked, China's semiconductor industry not Only survived but also comes in its the golden period . VELLEDQ provides industrial connectors and cordsets .Closely cooperates with domestic and foreign semiconductor enterprises,Providing for integration, control cabinet, etc. Main customers are : American Applied Materials Group Ideal Jingyan, China Hanergy Zhejiang Jingsheng and other semiconductor enterprises.

→ →

3.New Energy Industry

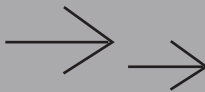
New-Energy PACK Module automatic line is developing quickly with the Country New-Energy strategy ; VELLEDQ Robot Dresspack ,M8, M12 ,7/8, RJ45, JunctionBox,Heavy Duty Connector, D-Sub , CableEntrySystem and customized Corsets are widelysupplied for this industry Mainly projects are: CATL, BAICNewEnergy, Geely NewEnergy 、 Hanergy, Foxsemicon , etc .





4、 Construction Machinery I Industry

Basic Construction and Ports trading also developing fast . With this chance , VELLÉDQ provides M8, M12, 7/8, RJ45, JunctionBox , HeavyDuty Connectors , D-SUB , ValvePlug and customized Cordsets . Mainly customer and projects are XCMG , SANY , ZOOMLION , etc .



5、 Automobile Industry

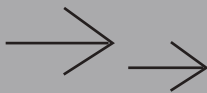
As the biggest industry , Automitivehas large requirements ;VELLEDQ provides Robot Dresspack, M8, M12,7/8,RJ45, JunctionBox,HeavyDuty Connector,DSUB, CableEntry System , and customizedCordsets ; Mainly Endusers are DURR Painting,Schenker,BBAC 、 Toyota、 Honda、 GEELY、 GM、 VW、 FORD、 ChangAn Automotive、 Qiantu Motor、 WM-Motor、 XIAOPENG、 HuaYu-Auto、 HuaLing Automotive ,etc.





6、3C Industry

With the fast development of 3C factories like APPLE, HUAWEI VELLÉDQ provides M8, M12, M16, 7/8, RJ45, JunctionBox, HeavyDuty Connector, DSUB CableEntry System and Customized Cordsets for 3C line and 5G stations;



7、Rail transit industry

The development of China HighSpeedRailway is prosperously . VELLÉDQ provides M8, M12, 7/8, RJ45, Junction Box, Heavy DutyConnector, D-Sub, Flangeand Customized Cordsets for Carriges RailBraker,Power, Signal and network.Mainly Customer and Projects are :ChinaRailwayGroup, Hang zhou Metro, etc.



01

Dresspack Series Of Products



Supporting diagram.....	19
Installation diagram.....	23
Spare parts.....	27

02

M8 On Site Connector/Pre-moulding Cordset



Unshielded connector connector.....	32
Shielded connector connector.....	32
Flange.....	33
Y-type 1/2 plug.....	35
Single end unshielded pre cast harness.....	36
Single end shielded pre cast harness.....	37
Dual end unshielded pre cast harness.....	38
Double ended shielded pre cast harness.....	42
M8 to M12 unshielded pre cast harness.....	43
M8 to M12 shielded pre cast harness.....	49

03

M12 On Site Connector/Pre-moulding Cordset











Unshielded connector connector.....	52
Shielded connector connector.....	52
Flange.....	54
Y-type 1/2 plug.....	61
Single end unshielded pre cast harness.....	63
Single end shielded pre cast harness.....	67
Dual end unshielded pre cast harness.....	69
Double ended shielded pre cast harness.....	72
Y-type one split two pre cast harness.....	74










04

7/8 On Site Connector/Pre-moulding Cordset

	Straight - male/female.....	86
	Elbow - male/female.....	86
	Flange.....	87
	T-type 1/2 plug.....	87
	Semiconductor connector.....	89
	7/8 Single end pre cast harness.....	91
	7/8 Double end pre cast harness.....	92
	7/8 Flange installation.....	97

05

Junction Box (Hub) Series of products

	M8-4 port junction box.....	104
	M8-8 port junction box.....	106
	M8-12 port junction box.....	107
	M12-4 port junction box.....	112
	M12-6 port junction box.....	118
	M12-8 port junction box.....	124
	M12-12 port junction box.....	130

06





Quick Wiring Junction box

	Quick wiring junction box	136
	M19 connector.....	143
	99 Products.....	144



07

Bus Protocol Harness

	Unshielded connector plug.....	146
	Shielding protocol connector plug.....	146
	ProfiBus Bus protocol harness.....	147
	DeviceNet Bus protocol harness.....	148
	EnterCat Bus protocol harness.....	150
	ProfiNet Bus protocol harness.....	151
	EnterNet/IP Bus protocol harness.....	152
	ASInterface Bus protocol harness.....	157
	CC-Link Bus protocol harness.....	158




08

Industrial Switch

	JHDC-305.....	164
	JHDC-G305.....	165
	JHDC-308.....	166
	JHDC-G308.....	167
	JHDC-T208.....	168



09

D-SUB On Site Connector/Pre-moulding Cordset

	D-SUB Shielded connector.....	171
	D-SUB Straight - male/female.....	173
	D-SUB Elbow - male/female	174

10

Solenoid Connector Pre Cast Harness

	Solenoid valve single end pre cast harness.....	177
	Solenoid valve double end pre cast harness	180
	Solenoid valve pre cast plug	181
	M16 One driven six harness	182



11

Commercial Wire And Cable



Commercial wire and cable.....183

12

Industrial Wire And Cable



Industrial wire and cable.....189

13

Network Communication cable



Network communication cable194

14

Heavy duty connector products



HA series.....	199
HE series.....	203
HEE series.....	207
HEEE series.....	212
HD series.....	213
HDD series.....	219
HSB series.....	224
HK series.....	226
HQ series.....	241
HM Module frame series.....	250
panel.....	283
Housing.....	286
Pins and tools.....	312



15

Cable connector



Metal joint.....	317
Plastic joint.....	318
Bellows joint	319
Metal bellows joint.....	320
Flat cable connector.....	321
M40 Connector	321

16

Wall panel products



KDL Cable entry system	323
Model Selection Table	324
Cable wall plate KDL	325
Installation method	326
KDP Wall panel system	327
KEL 16 Through wall panel can be developed	332
KEL 24 hrough wall panel can be developed	333
KEL 24-2-MT Through wall panel can be developed	334

17

IP20 remote I0 module



IP20 remote I0 module	342
-----------------------------	-----

18

Photovoltaic and Energy Storage Industry



Photovoltaic and Energy Storage Industry	355
------------------------------------------------	-----

19

Bus Module



Bus Module	397
------------------	-----



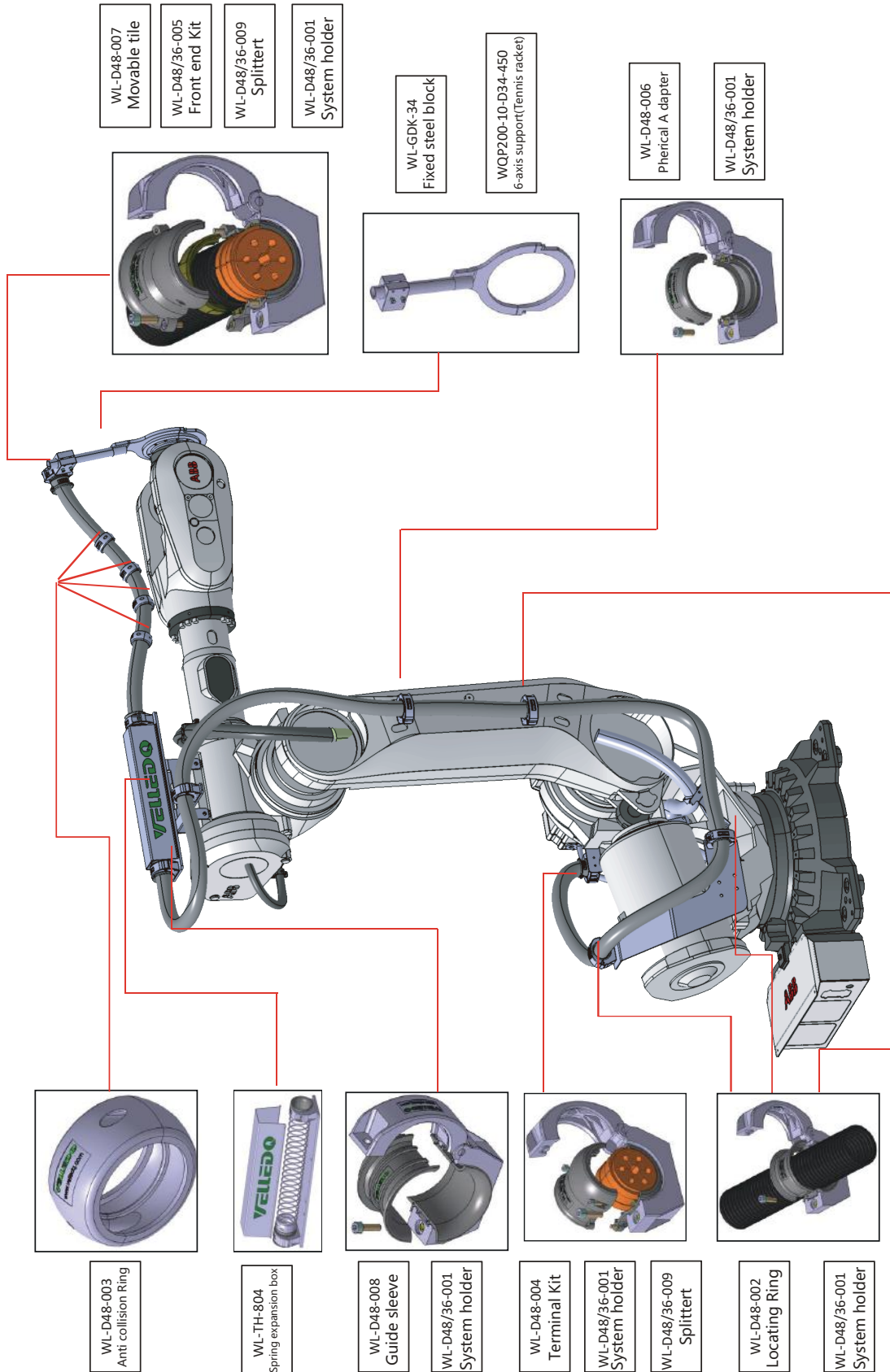


Robot Dresspack System



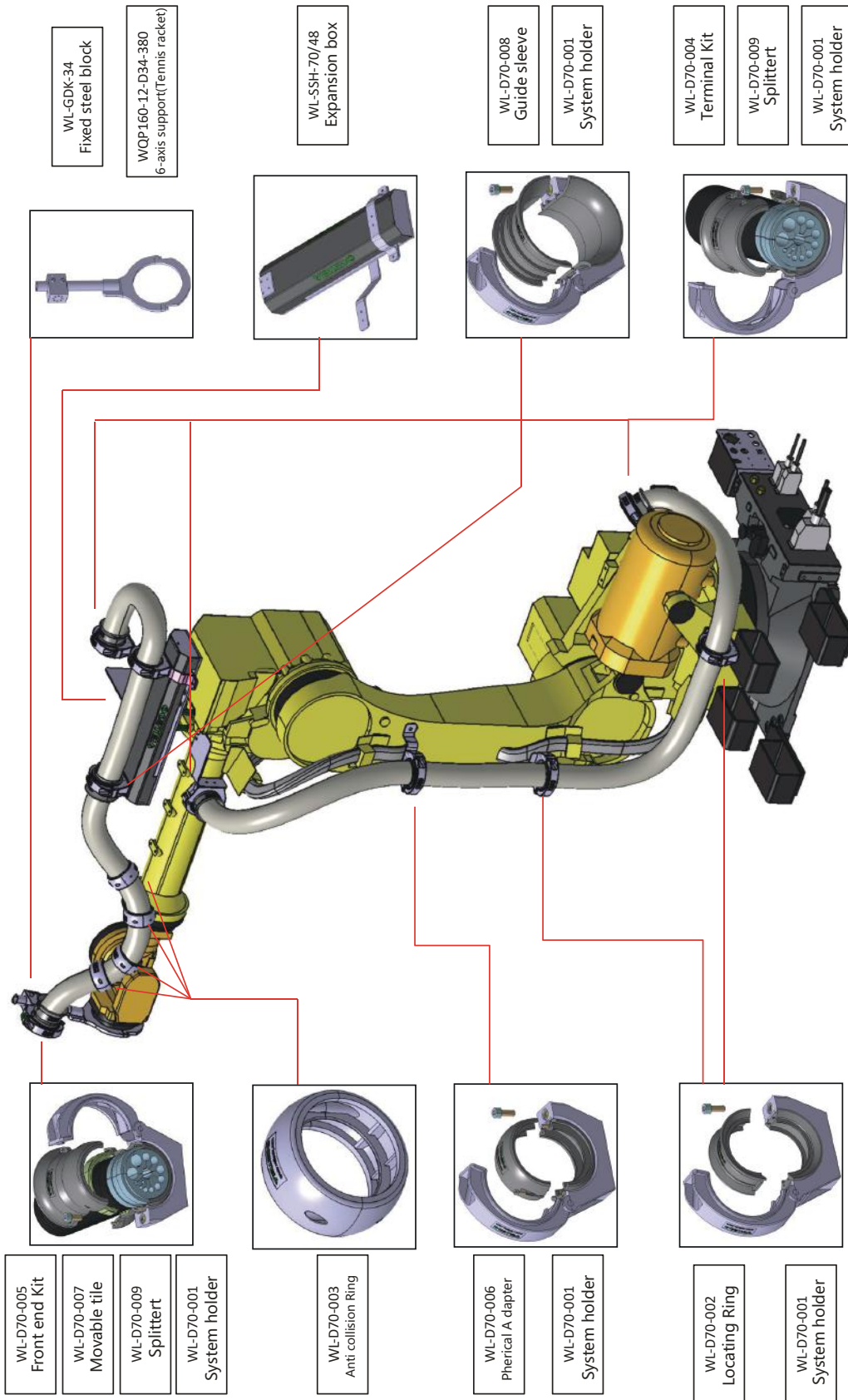
Robot Dresspack System

ABB IRB6700_200_260_48 Hose spring expansion



Robot Dresspack System

ABB IRB6700_200_260_48Hose spring expansion



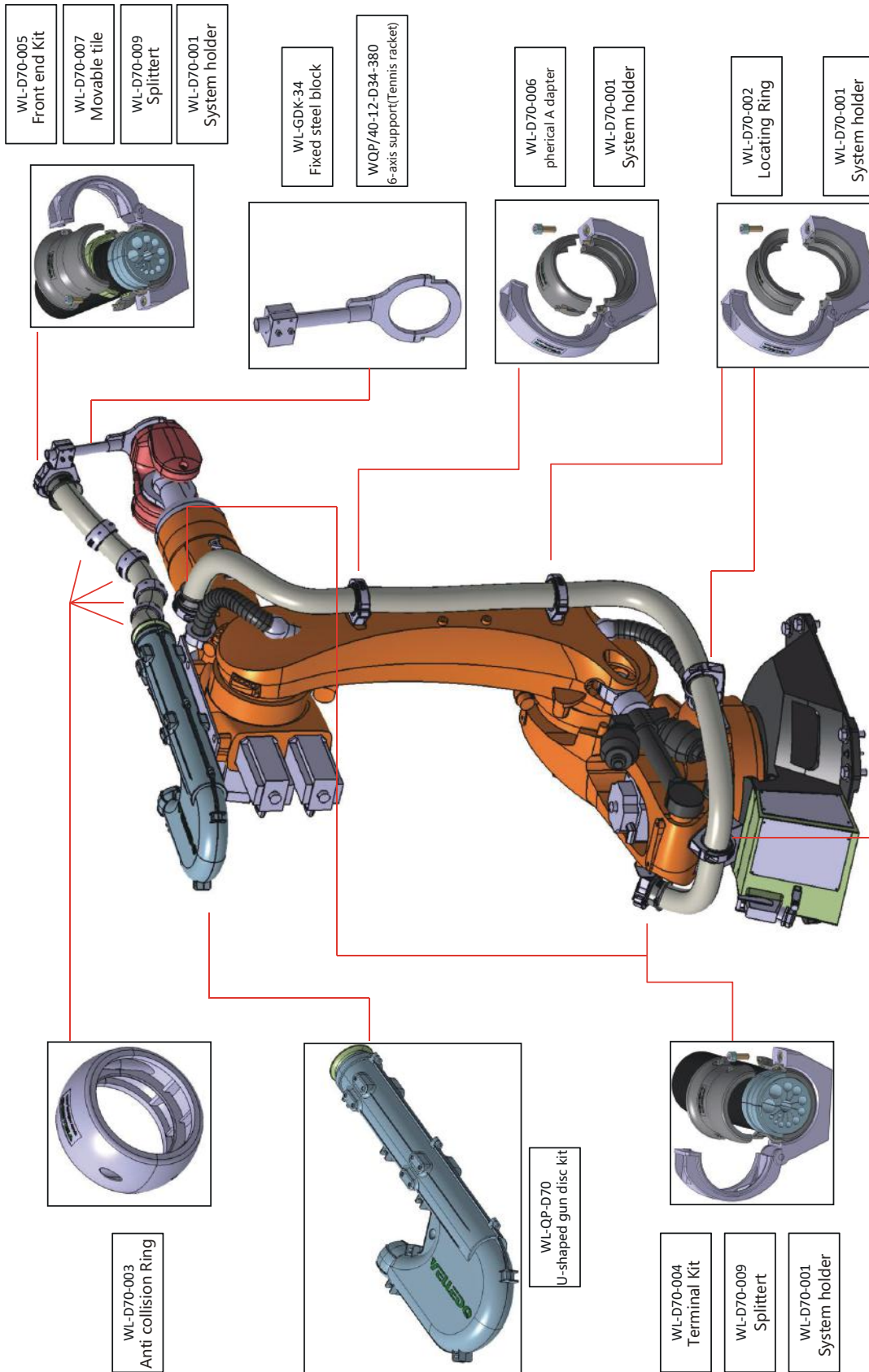
Communicate Now

Data ,CAD,3D document please refer to: WWW.VELLEDQ.COM



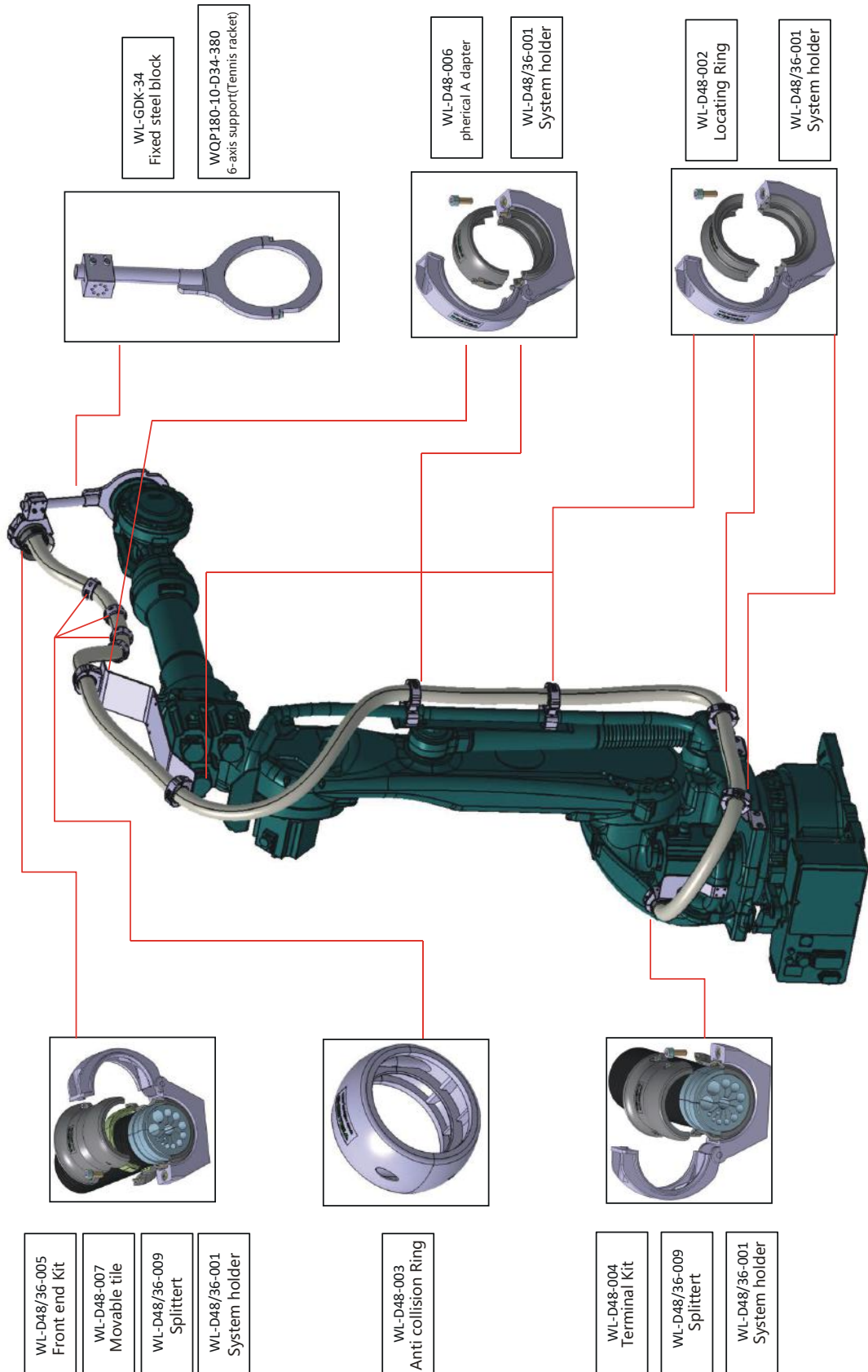
ISO 9001 (2015) quality management system

KUKA R210 R2700-D70 Hose-2-section U-shaped gun disc



Robot Dresspack System

YASKAWA MS210-MH225-D48Hose1-6axis cantilever type



WL-GDK-34
Fixed steel block

WQP180-10-D34-380
6-axis support(Tennis racket)

WL-D48-006
pherical A dapter

WL-D48/36-001
System holder

WL-D48-002
Locating Ring

WL-D48/36-001
System holder

WL-D48/36-005
Front end Kit

WL-D48-007
Movable tile

WL-D48/36-009
Splittert

WL-D48/36-001
System holder

WL-D48-003
Anti collision Ring

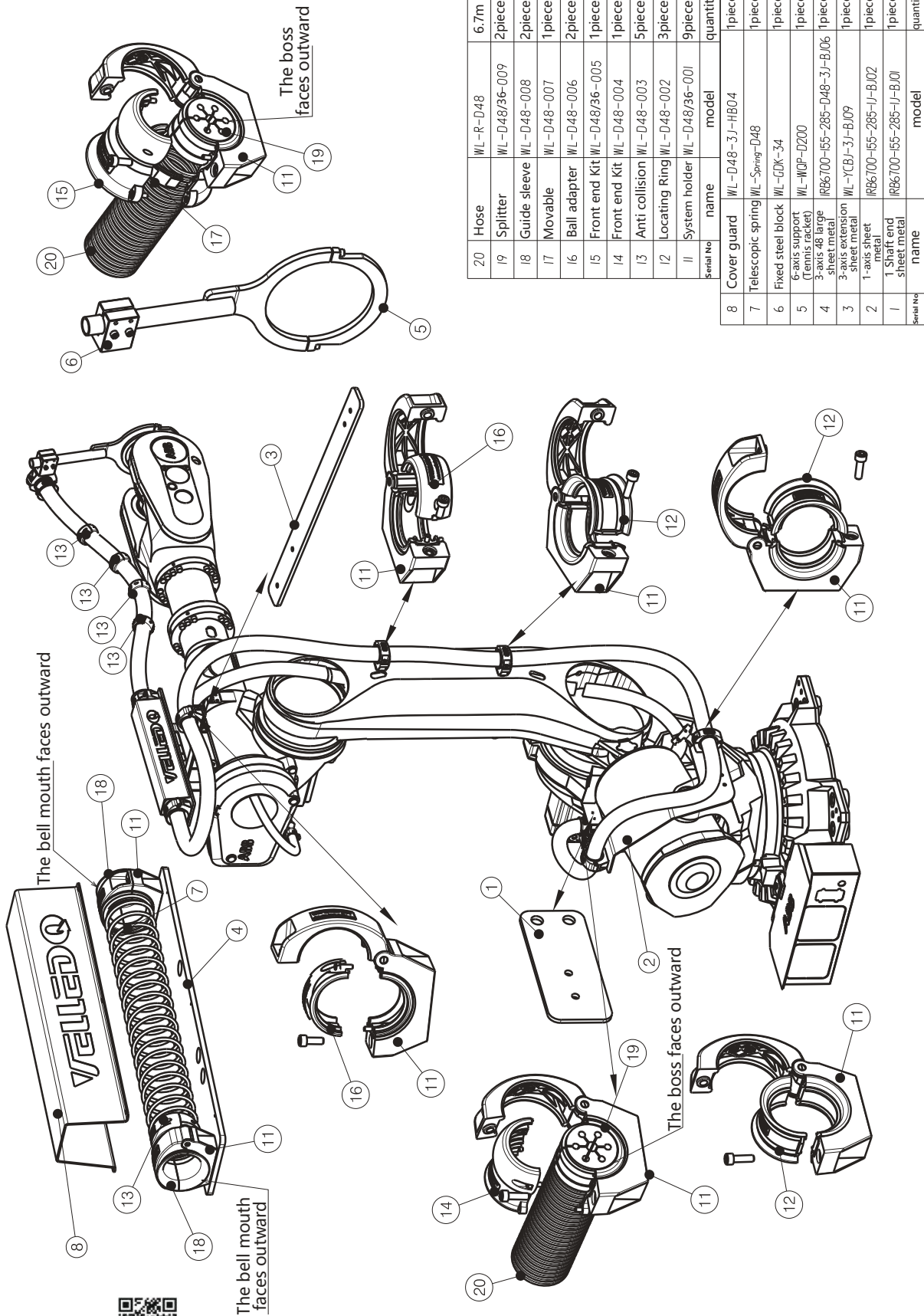
WL-D48-004
Terminal Kit

WL-D48/36-009
Splittert

WL-D48/36-001
System holder

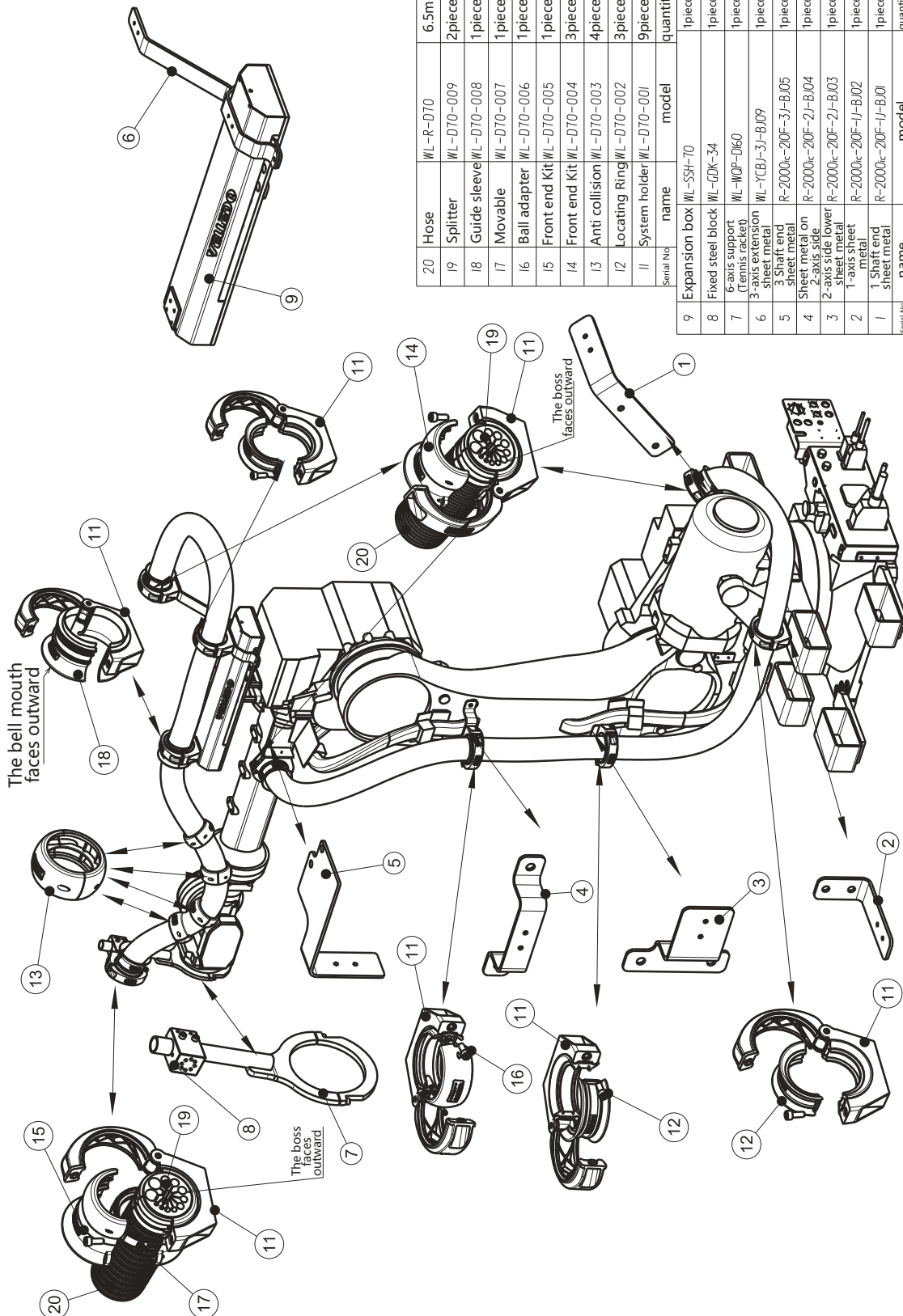


Data ,CAD,3D document please refer to: WWW.VELLEDQ.COM



Serial No	name	model	quantity
20	Hose	WL-R-D48	6.7m
19	Splitter	WL-D48/36-009	2pieces
18	Guide sleeve	WL-D48-008	2pieces
17	Movable	WL-D48-007	1pieces
16	Ball adapter	WL-D48-006	2pieces
15	Front end Kit	WL-D48/36-005	1pieces
14	Front end Kit	WL-D48-004	1pieces
13	Anti collision	WL-D48-003	5pieces
12	Locating Ring	WL-D48-002	3pieces
11	System holder	WL-D48/36-001	9pieces
Serial No	name	model	quantity
8	Cover guard	WL-D48-3J-HB04	1pieces
7	Telescopic spring	WL-Spring-D48	1pieces
6	Fixed steel block	WL-GDK-34	1pieces
5	6-axis support (Tennis racket)	WL-WQP-D200	1pieces
4	3-axis large sheet metal	RB6700-55-285-D48-3J-BJ06	1pieces
3	3-axis extension sheet metal	WL-(CB)-3J-BJ09	1pieces
2	1-axis sheet metal	RB6700-55-285-IJ-BJ02	1pieces
1	1 Shaft end sheet metal	RB6700-55-285-IJ-BJ01	1pieces
Serial No	name	model	quantity

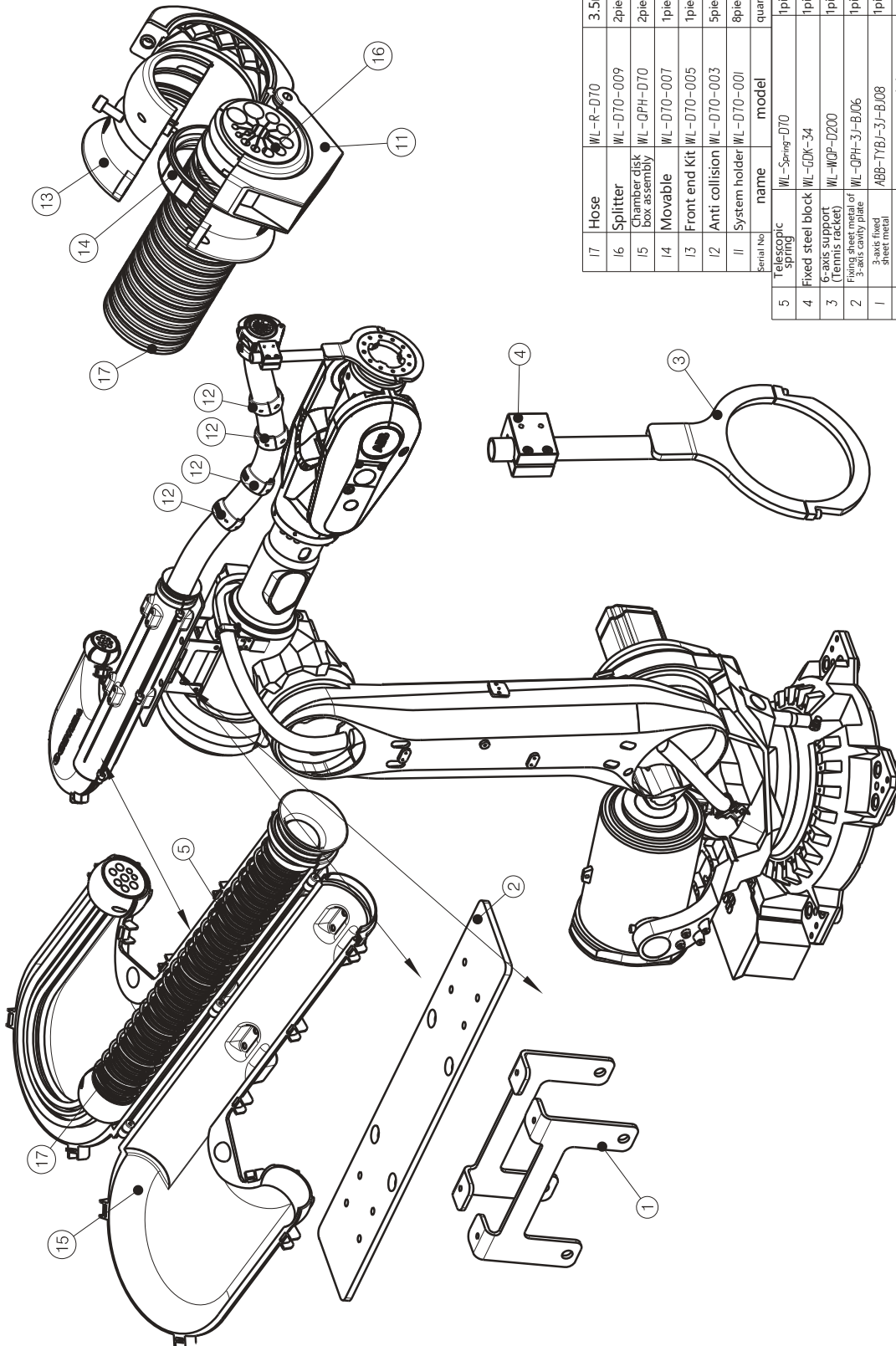




Serial No	name	model	quantity
20	Hose	WL-R-D70	6.5m
19	Splitter	WL-D70-009	2pieces
18	Guide sleeve	WL-D70-008	1pieces
17	Movable	WL-D70-007	1pieces
16	Ball adapter	WL-D70-006	1pieces
15	Front end Kit	WL-D70-005	1pieces
14	Front end Kit	WL-D70-004	3pieces
13	Anti collision	WL-D70-003	4pieces
12	Locating Ring	WL-D70-002	3pieces
11	System holder	WL-D70-001	9pieces
9	Expansion box	WL-SSH-70	1pieces
8	Fixed steel block	WL-GDK-34	1pieces
7	6-axis support (Tennis racket)	WL-WQP-D160	1pieces
6	3-axis extension sheet metal	WL-YCBJ-3J-B109	1pieces
5	3-Shaft end sheet metal	R-2000k-20F-3J-B105	1pieces
4	Sheet metal on 2-axis side	R-2000k-20F-2J-B104	1pieces
3	2-axis side lower sheet metal	R-2000k-20F-2J-B103	1pieces
2	1-axis sheet metal	R-2000k-20F-1J-B102	1pieces
1	1-Shaft end sheet metal	R-2000k-20F-1J-B101	1pieces
Serial No	name	model	quantity

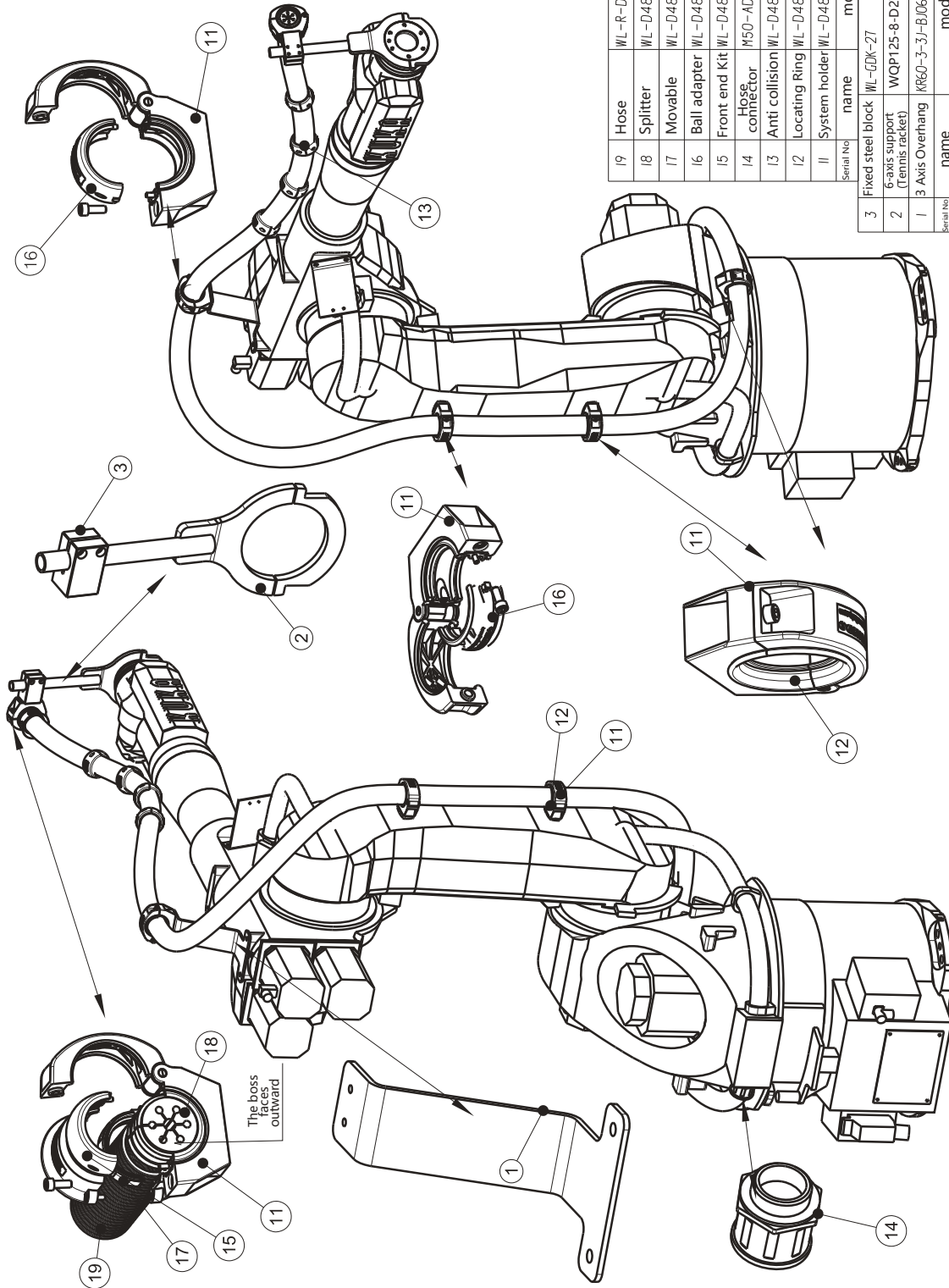


Data ,CAD,3D document please refer to: WWW.VELLEDQ.COM



Serial No	name	model	quantity
17	Hose	WL-R-D70	3.5m
16	Splitter	WL-D70-009	2pieces
15	Chamber disk box assembly	WL-OPH-D70	2pieces
14	Movable	WL-D70-007	1pieces
13	Front end Kit	WL-D70-005	1pieces
12	Anti collision	WL-D70-003	5pieces
11	System holder	WL-D70-001	8pieces
Serial No	name	model	quantity
5	Telescopic spring	WL-Spring-D70	1pieces
4	Fixed steel block	WL-GDK-34	1pieces
3	3-axis support bracket (Front access)	WL-MOP-D200	1pieces
2	Fixing bracket of 3-axis cavity plate	WL-OPH-3J-B.06	1pieces
1	3-axis fixed sheet metal	ABB-TYB-J-B.08	1pieces
Serial No	name	model	quantity





Serial No	name	model	quantity
19	Hose	WL-R-D48	5m
18	Splitter	WL-D48/36-009	1pieces
17	Movable	WL-D48-007	1pieces
16	Ball adapter	WL-D48-006	2pieces
15	Front end Kit	WL-D48/36-005	1pieces
14	Hose connector	M50-AD54.5	1pieces
13	Anti collision	WL-D48-003	4pieces
12	Locating Ring	WL-D48-002	2pieces
11	System holder	WL-D48/36-001	6pieces
Serial No	name	model	quantity
3	Fixed steel block (Tennis racket)	WL-GDK-Z7	1pieces
2	6-axis support (Tennis racket)	WQP125-8-D27-310	1pieces
1	3 Axis Overhang	KR60-3-J-B06	1pieces
Serial No	name	model	quantity



Data ,CAD,3D document please refer to: WWW.VELLEDQ.COM

Picture	Name	Size	Model
	System holder	Applicable to 36 and 48 models	WL-D48/36-001
		Applicable to 70 models	WL-D70-001
	Locating Ring	Applicable to 36 models	WL-D36-002
		Applicable to 48 models	WL-D48-002
		Applicable to 70 models	WL-D70-002
	Anti collision Ring	Applicable to 36 models	WL-D36-003
		Applicable to 48 models	WL-D48-003
		Applicable to 70 models	WL-D70-003
	Terminal Kit	Applicable to 48 models	WL-D48-004
		Applicable to 70 models	WL-D70-004
	Front end Kit	Applicable to 36 and 48 models	WL-D48/36-005
		Applicable to 70 models	WL-D70-005
	Spherical adapter	Applicable to 36 models	WL-D36-006
		Applicable to 48 models	WL-D48-006
		Applicable to 70 models	WL-D70-006
	Movable Tile	Applicable to 36 models	WL-D36-007
		Applicable to 48 models	WL-D48-007
		Applicable to 70 models	WL-D70-007
	Guide sleeve	Applicable to 48 models	WL-D48-008
		Applicable to 70 models	WL-D70-008



Picture	Name	Size	Model
	Splitter	Applicable to 36 and 48 models	WL-D48/36-009
		Applicable to 70 models	WL-D70-009
	hose	Suitable for 36 types of hoses	WL-R-D36
		Suitable for 48 types of hoses	WL-R-D48
		Suitable for 70 types of hoses	WL-R-D70
	Guide rail expansion box	Suitable for 70 types of hoses	WL-SSH-7001
	Spring expansion box	Suitable for 48 types of hoses	WL-TH-804
		Suitable for 70 types of hoses	WL-TH-806
	U telescopic box	Suitable for 70 types of hoses	WL-BOX-70
	Shaft bracket	Applicable to 140 flange plate	WQP140-10-D34-360
		Applicable to 160 flange plate	WQP160-10-D34-380
		Applicable to 200 flange plate	WQP200-10-D34-450
	Fixed steel block	Applicable to 27 bracket	WL-GDK-27
		For 34 bracket (aluminum)	WL-GDK-34-LZ
		Applicable to 34 bracket	WL-GDK-34
	Water pipe and pagoda joint	Bulkhead straight connector	M22X1.5X57
		M22 pagoda joint internal thread	M22X1.5X ϕ 14
		M24 pagoda connector internal tooth	M24X1.5X ϕ 14



Data ,CAD,3D document please refer to: WWW.VELLEDQ.COM

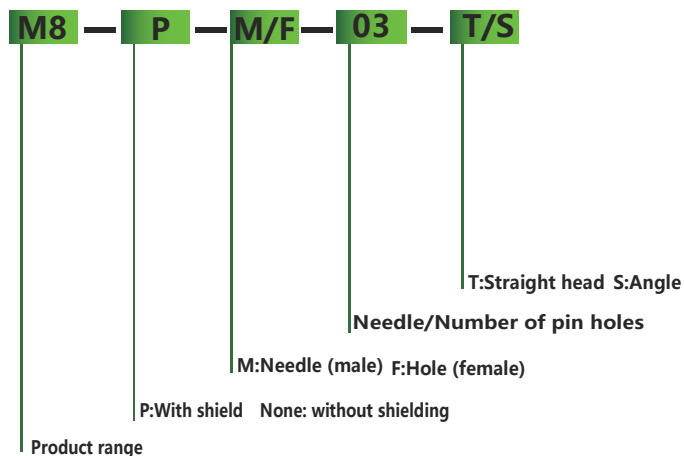
Picture	Name	Size	Model
	Robot Instructor	customized	X19-00-ASM-CP1 PUR Grey
	Robot Instructor	customized	X19-00-ASM-CP2 PUR Grey
	Line between disc	customized	180186
	Line between disc	customized	182577
	Aluminum base	Applicable to 48 models	WL-D48-AL-001
	Aluminum base	Applicable to 70 models	WL-D70-AL-001



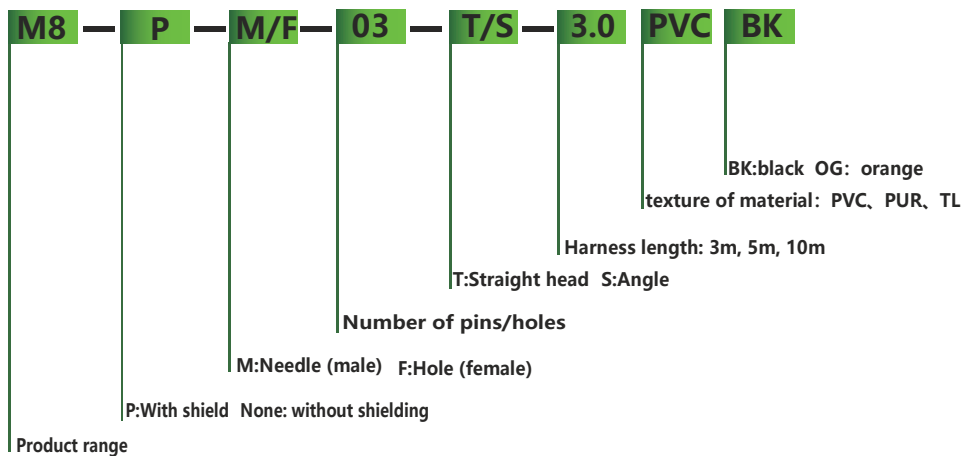


M8 Connector/Harness





M8 Connector Harness Naming

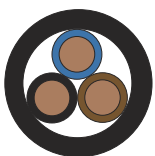


M8 Connector

Field-wireable Screw terminals

Product drawing	Product size	Partnumber	Pins Assignment			
		M8-M03T				
		M8-M04T				
		M8-F03T				
		M8-F04T				
		M8-M03S				
		M8-M04S				
		M8-F03S				
		M8-F04S				
		M8P-M04T				
		M8P-F04T				
Specification and model	3core	4core				
Length/Material Could be customized according to different enviroment ,like extrame tempreture and acid/alkali						
Rated voltage	Rated current	Crimping method	Degree of protection	Ambient temperature	Crimping range	Cable outlet diameter
60V AC/DC	MAX.4A	Screw crimping	IP65	-25~+85°C	0.14~0.5mm ²	3.5~5.0mm

Optional cable

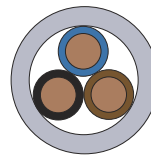


black/BK

PVC3core Black line
PUR3core Black line
Drag Chain3core Black line

Product Number

PVC3C0.25.BK
PUR3C0.25.BK
TL3C0.25.BK

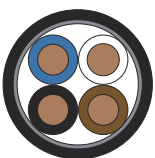


gray/GY

PVC3core Gray line
PUR3core Gray line
Drag Chain3core Gray line

Product Number

PVC3C0.25.GY
PUR3C0.25.GY
TL3C0.25.GY

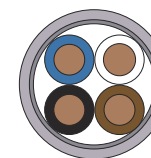


black/BK

PVC4core Shielded black wire
PUR4core Shielded black wire
Drag Chain 4 core Shielded black wire

Product Number

PVC4C0.25P.BK
PUR4C0.25P.BK
TL4C0.25P.BK



gray /GY

PVC4core Shielded grey line
PUR4core Shielded grey line
Drag Chain4core Shielded grey line

Product Number

PVC4C0.25BGY
PUR4C0.25PGY
TL4C0.25PGY



Communicate Now

Data ,CAD,3D document please refer to: WWW.VELLEDQ.COM

M8 Connector



Front Mounting

Product drawing	Product size	Mounting Dimension	Partnumber	Pins Assignment
			FLQ-M8-F03(M8)-HB	
			FLQ-M8-F04(M8)-HB	
			FLQ-M8-M03(M8)-HB	
			FLQ-M8-M04(M8)-HB	
			FLQ-M8-M03(M8)-0.2 FLQ-M8-M03(M8)-0.3 FLQ-M8-M03(M8)-0.5 FLQ-M8-M03(M8)-1.0 FLQ-M8-M03(M8)-2.0	
			FLQ-M8-M04(M8)-0.2 FLQ-M8-M04(M8)-0.3 FLQ-M8-M04(M8)-0.5 FLQ-M8-M04(M8)-1.0 FLQ-M8-M04(M8)-2.0	
			FLQ-M8-F03(M8)-0.2 FLQ-M8-F03(M8)-0.3 FLQ-M8-F03(M8)-0.5 FLQ-M8-F03(M8)-1.0 FLQ-M8-F03(M8)-2.0	
			FLQ-M8-F04(M8)-0.2 FLQ-M8-F04(M8)-0.3 FLQ-M8-F04(M8)-0.5 FLQ-M8-F04(M8)-1.0 FLQ-M8-F04(M8)-2.0	

Length/Material Could be customized according to different environment, like extreme temperature and acid/alkali

Rated voltage	60 V AC/DC				
Rated current	MAX.4A				
Degree of protection accord with IEC 60529 standard	IP67				
Ambient temperature	-25~+85°C				
Cable length	0.2m	0.3m	0.5m	1m	2m



M8 Connector

Back Mounting

Product drawing	Product size	Mounting Dimension	Partnumber	Pins Assignment
			FLH-M8-M03(M8)-HB	
			FLH-M8-M04(M8)-HB	
			FLH-M8-F03(M10)-HB	
			FLH-M8-F04(M10)-HB	
			FLH-M8-M03(M8)-0.2	
			FLH-M8-M03(M8)-0.3	
			FLH-M8-M03(M8)-0.5	
			FLH-M8-M03(M8)-1.0	
			FLH-M8-M03(M8)-2.0	
			FLH-M8-M04(M8)-0.2	
			FLH-M8-M04(M8)-0.3	
			FLH-M8-M04(M8)-0.5	
			FLH-M8-M04(M8)-1.0	
			FLH-M8-M04(M8)-2.0	
			FLH-M8-F03(M10)-0.2	
			FLH-M8-F03(M10)-0.3	
			FLH-M8-F03(M10)-0.5	
			FLH-M8-F03(M10)-1.0	
			FLH-M8-F03(M10)-2.0	
			FLH-M8-F04(M10)-0.2	
FLH-M8-F04(M10)-0.3				
FLH-M8-F04(M10)-0.5				
			FLH-M8-F04(M10)-1.0	
			FLH-M8-F04(M10)-2.0	

Length/Material Could be customized according to different enviroment ,like extrame tempreture and acid/alkali

Rated voltage	60 V AC/DC					
Rated current	MAX.4A					
Degree of protectionaccord withIEC 60529standard	IP67					
Ambient temperature	-25~+85°C					
Cable length	0.2m	0.3m	0.5m	1m	2m	



Data ,CAD,3D document please refer to: WWW.VELLEDQ.COM

M8 Connector



Flange mounting

Product drawing	Product size	Mounting Dimension	Partnumber	Pins Assignment
			FL-M8-M03/F03(M10) FL-M8-M04/F04(M10)	

Y-type connector

Product drawing	Product size	Wiring diagram Partnumber	Wiring diagram Partnumber	Pins Assignment
			Y-M8-M03/2F03-B	

M8 Female plastic dust cover (external thread)

Product drawing	Hole drawing	Partnumber
		M8-F-FCG/S



M8 Connector Harness

With Open End



Product drawing	Product size	Pins Assignment

Material and Length		Female head3core	Female head4core	Female head3core	Female head4core
PVC	black3m	M8-F03T-LED-3.0PVC/BK	M8-F04T-LED-3.0PVC/BK	M8-F03S-LED-3.0PVC/BK	M8-F04S-LED-3.0PVC/BK
PVC	black5m	M8-F03T-LED-5.0PVC/BK	M8-F04T-LED-5.0PVC/BK	M8-F03S-LED-5.0PVC/BK	M8-F04S-LED-5.0PVC/BK
PVC	black10m	M8-F03T-LED-10.0PVC/BK	M8-F04T-LED-10.0PVC/BK	M8-F03S-LED-10.0PVC/BK	M8-F04S-LED-10.0PVC/BK
PUR	black3m	M8-F03T-LED-3.0PUR/BK	M8-F04T-LED-3.0PUR/BK	M8-F03S-LED-3.0PUR/BK	M8-F04S-LED-3.0PUR/BK
PUR	black5m	M8-F03T-LED-5.0PUR/BK	M8-F04T-LED-5.0PUR/BK	M8-F03S-LED-5.0PUR/BK	M8-F04S-LED-5.0PUR/BK
PUR	black10m	M8-F03T-LED-10.0PUR/BK	M8-F04T-LED-10.0PUR/BK	M8-F03S-LED-10.0PUR/BK	M8-F04S-LED-10.0PUR/BK
Towchain	black3m	M8-F03T-LED-3.0TL/BK	M8-F04T-LED-3.0TL/BK	M8-F03S-LED-3.0TL/BK	M8-F04S-LED-3.0TL/BK
Towchain	black5m	M8-F03T-LED-5.0TL/BK	M8-F04T-LED-5.0TL/BK	M8-F03S-LED-5.0TL/BK	M8-F04S-LED-5.0TL/BK
Towchain	black10m	M8-F03T-LED-10.0TL/BK	M8-F04T-LED-10.0TL/BK	M8-F03S-LED-10.0TL/BK	M8-F04S-LED-10.0TL/BK
Anti-Welding	orange3m	M8-F03T-LED-3.0FH/OG	M8-F04T-LED-3.0FH/OG	M8-F03S-LED-3.0FH/OG	M8-F04S-LED-3.0FH/OG
Anti-Welding	orange5m	M8-F03T-LED-5.0FH/OG	M8-F04T-LED-5.0FH/OG	M8-F03S-LED-5.0FH/OG	M8-F04S-LED-5.0FH/OG
Anti-Welding	orange10m	M8-F03T-LED-10.0FH/OG	M8-F04T-LED-10.0FH/OG	M8-F03S-LED-10.0FH/OG	M8-F04S-LED-10.0FH/OG
Grey cable	GY				

With Open End



Product drawing	Product size	Pins Assignment

Material and Length		Male head3core	Male head4core	Female head3core	Female head4core
PVC	black3m	M8P-M03T-3.0PVC/BK	M8P-M04T-3.0PVC/BK	M8P-F03T-3.0PVC/BK	M8P-F04T-3.0PVC/BK
PVC	black5m	M8P-M03T-5.0PVC/BK	M8P-M04T-5.0PVC/BK	M8P-F03T-5.0PVC/BK	M8P-F04T-5.0PVC/BK
PVC	black10m	M8P-M03T-10.0PVC/BK	M8P-M04T-10.0PVC/BK	M8P-F03T-10.0PVC/BK	M8P-F04T-10.0PVC/BK
PUR	black3m	M8P-M03T-3.0PUR/BK	M8P-M04T-3.0PUR/BK	M8P-F03T-3.0PUR/BK	M8P-F04T-3.0PUR/BK
PUR	black5m	M8P-M03T-5.0PUR/BK	M8P-M04T-5.0PUR/BK	M8P-F03T-5.0PUR/BK	M8P-F04T-5.0PUR/BK
PUR	black10m	M8P-M03T-10.0PUR/BK	M8P-M04T-10.0PUR/BK	M8P-F03T-10.0PUR/BK	M8P-F04T-10.0PUR/BK
Towchain	black3m	M8P-M03T-3.0TL/BK	M8P-M04T-3.0TL/BK	M8P-F03T-3.0TL/BK	M8P-F04T-3.0TL/BK
Towchain	black5m	M8P-M03T-5.0TL/BK	M8P-M04T-5.0TL/BK	M8P-F03T-5.0TL/BK	M8P-F04T-5.0TL/BK
Towchain	black10m	M8P-M03T-10.0TL/BK	M8P-M04T-10.0TL/BK	M8P-F03T-10.0TL/BK	M8P-F04T-10.0TL/BK
Anti-Welding	orange3m	M8P-M03T-3.0FH/OG	M8P-M04T-3.0FH/OG	M8P-F03T-3.0FH/OG	M8P-F04T-3.0FH/OG
Anti-Welding	orange5m	M8P-M03T-5.0FH/OG	M8P-M04T-5.0FH/OG	M8P-F03T-5.0FH/OG	M8P-F04T-5.0FH/OG
Anti-Welding	orange10m	M8P-M03T-10.0FH/OG	M8P-M04T-10.0FH/OG	M8P-F03T-10.0FH/OG	M8P-F04T-10.0FH/OG
Grey cable	GY				

Common spare parts

Length/Material Could be customized according to different environment ,like extreme temperature and acid/alkali

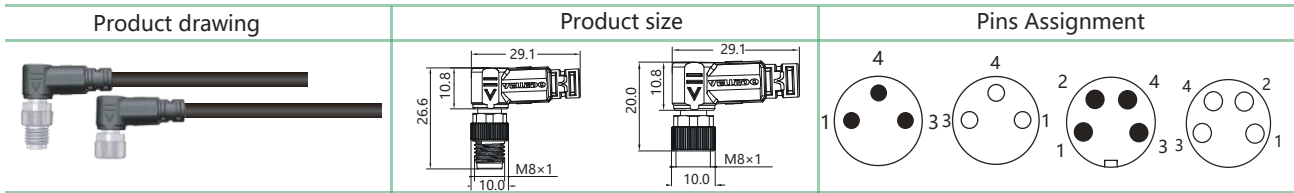
Rated voltage	60 V DC±25%
Cable specification	3*0.25mm ² 4*0.25mm ²
ProtectionClass(IEC 60529)	IP67
Ambient temperature	-25~+85°C



M8 Connector Harness

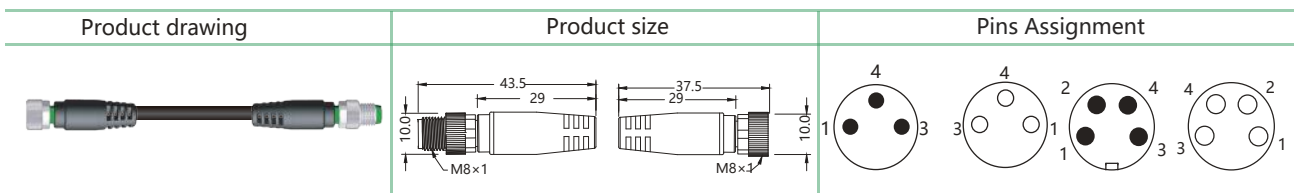
With Open End

Shield



Material and Length		Male head3core	Male head4core	Female head3core	Female head4core	Common spare parts
PVC	black3m	M8P-M03S-3.0PVC/BK	M8P-M04S-3.0PVC/BK	M8P-F03S-3.0PVC/BK	M8P-F04S-3.0PVC/BK	
PVC	black5m	M8P-M03S-5.0PVC/BK	M8P-M04S-5.0PVC/BK	M8P-F03S-5.0PVC/BK	M8P-F04S-5.0PVC/BK	
PVC	black10m	M8P-M03S-10.0PVC/BK	M8P-M04S-10.0PVC/BK	M8P-F03S-10.0PVC/BK	M8P-F04S-10.0PVC/BK	
PUR	black3m	M8P-M03S-3.0PUR/BK	M8P-M04S-3.0PUR/BK	M8P-F03S-3.0PUR/BK	M8P-F04S-3.0PUR/BK	
PUR	black5m	M8P-M03S-5.0PUR/BK	M8P-M04S-5.0PUR/BK	M8P-F03S-5.0PUR/BK	M8P-F04S-5.0PUR/BK	
PUR	black10m	M8P-M03S-10.0PUR/BK	M8P-M04S-10.0PUR/BK	M8P-F03S-10.0PUR/BK	M8P-F04S-10.0PUR/BK	
Towchain	black3m	M8P-M03S-3.0TL/BK	M8P-M04S-3.0TL/BK	M8P-F03S-3.0TL/BK	M8P-F04S-3.0TL/BK	
Towchain	black5m	M8P-M03S-5.0TL/BK	M8P-M04S-5.0TL/BK	M8P-F03S-5.0TL/BK	M8P-F04S-5.0TL/BK	
Towchain	black10m	M8P-M03S-10.0TL/BK	M8P-M04S-10.0TL/BK	M8P-F03S-10.0TL/BK	M8P-F04S-10.0TL/BK	
Anti-Welding	orange3m	M8P-M03S-3.0FH/OG	M8P-M04S-3.0FH/OG	M8P-F03S-3.0FH/OG	M8P-F04S-3.0FH/OG	
Anti-Welding	orange5m	M8P-M03S-5.0FH/OG	M8P-M04S-5.0FH/OG	M8P-F03S-5.0FH/OG	M8P-F04S-5.0FH/OG	
Anti-Welding	orange10m	M8P-M03S-10.0FH/OG	M8P-M04S-10.0FH/OG	M8P-F03S-10.0FH/OG	M8P-F04S-10.0FH/OG	
Grey cable	GY					

Double end pre cast wire harness



Material and Length		3core	4core
PVC	black3m	M8-M03T/F03T-3.0PVC/BK	M8-M04T/F04T-3.0PVC/BK
PVC	black5m	M8-M03T/F03T-5.0PVC/BK	M8-M04T/F04T-5.0PVC/BK
PVC	black10m	M8-M03T/F03T-10.0PVC/BK	M8-M04T/F04T-10.0PVC
PUR	black3m	M8-M03T/F03T-3.0PUR/BK	M8-M04T/F04T-3.0PUR/BK
PUR	black5m	M8-M03T/F03T-5.0PUR/BK	M8-M04T/F04T-5.0PUR/BK
PUR	black10m	M8-M03T/F03T-10.0PUR/BK	M8-M04T/F04T-10.0PUR/BK
Towchain	black3m	M8-M03T/F03T-3.0TL/BK	M8-M04T/F04T-3.0TL/BK
Towchain	black5m	M8-M03T/F03T-5.0TL/BK	M8-M04T/F04T-5.0TL/BK
Towchain	black10m	M8-M03T/F03T-10.0TL/BK	M8-M04T/F04T-10.0TL/BK
Anti-Welding	orange3m	M8-M03T/F03T-3.0FH/OG	M8-M04T/F04T-3.0FH/OG
Anti-Welding	orange5m	M8-M03T/F03T-5.0FH/OG	M8-M04T/F04T-5.0FH/OG
Anti-Welding	orange10m	M8-M03T/F03T-10.0FH/OG	M8-M04T/F04T-10.0FH/OG
Grey cable	GY		

Length/Material Could be customized according to different enviroment ,like extrame tempreture and acid/alkali

Rated voltage	60 V DC±25%	
Cable specification	3*0.25mm ²	4*0.25mm ²
ProtectionClass(IEC 60529)	IP67	
Ambient temperature	-25~+85°C	



Data ,CAD,3D document please refer to: WWW.VELLEDQ.COM

M8 Connector Harness

Double end pre cast wire harness

Product drawing	Product size	Pins Assignment

Material and Length		3core	4core
PVC	black3m	M8-M03T/M03S-3.0PVC/BK	M8-M04T/M04S-3.0PVC/BK
PVC	black5m	M8-M03T/M03S-5.0PVC/BK	M8-M04T/M04S-5.0PVC/BK
PVC	black10m	M8-M03T/M03S-10.0PVC/BK	M8-M04T/M04S-10.0PVC/BK
PUR	black3m	M8-M03T/M03S-3.0PUR/BK	M8-M04T/M04S-3.0PUR/BK
PUR	black5m	M8-M03T/M03S-5.0PUR/BK	M8-M04T/M04S-5.0PUR/BK
PUR	black10m	M8-M03T/M03S-10.0PUR/BK	M8-M04T/M04S-10.0PUR/BK
Towchain	black3m	M8-M03T/M03S-3.0TL/BK	M8-M04T/M04S-3.0TL/BK
Towchain	black5m	M8-M03T/M03S-5.0TL/BK	M8-M04T/M04S-5.0TL/BK
Towchain	black10m	M8-M03T/M03S-10.0TL/BK	M8-M04T/M04S-10.0TL/BK
Anti-Welding	orange3m	M8-M03T/M03S-3.0FH/OG	M8-M04T/M04S-3.0FH/OG
Anti-Welding	orange5m	M8-M03T/M03S-5.0FH/OG	M8-M04T/M04S-5.0FH/OG
Anti-Welding	orange10m	M8-M03T/M03S-10.0FH/OG	M8-M04T/M04S-10.0FH/OG
Grey cable	GY		

Double end pre cast wire harness



Product drawing	Product size	Pins Assignment

Material and Length		3core	4core
PVC	black3m	M8-M03T/F03T-LED-3.0PVC/BK	M8-M04T/F04T-LED-3.0PVC/BK
PVC	black5m	M8-M03T/F03T-LED-5.0PVC/BK	M8-M04T/F04T-LED-5.0PVC/BK
PVC	black10m	M8-M03T/F03T-LED-10.0PVC/BK	M8-M04T/F04T-LED-10.0PVC/BK
PUR	black3m	M8-M03T/F03T-LED-3.0PUR/BK	M8-M04T/F04T-LED-3.0PUR/BK
PUR	black5m	M8-M03T/F03T-LED-5.0PUR/BK	M8-M04T/F04T-LED-5.0PUR/BK
PUR	black10m	M8-M03T/F03T-LED-10.0PUR/BK	M8-M04T/F04T-LED-10.0PUR/BK
Towchain	black3m	M8-M03T/F03T-LED-3.0TL/BK	M8-M04T/F04T-LED-3.0TL/BK
Towchain	black5m	M8-M03T/F03T-LED-5.0TL/BK	M8-M04T/F04T-LED-5.0TL/BK
Towchain	black10m	M8-M03T/F03T-LED-10.0TL/BK	M8-M04T/F04T-LED-10.0TL/BK
Anti-Welding	orange3m	M8-M03T/F03T-LED-3.0FH/OG	M8-M04T/F04T-LED-3.0FH/OG
Anti-Welding	orange5m	M8-M03T/F03T-LED-5.0FH/OG	M8-M04T/F04T-LED-5.0FH/OG
Anti-Welding	orange10m	M8-M03T/F03T-LED-10.0FH/OG	M8-M04T/F04T-LED-10.0FH/OG
Grey cable	GY		

Length/Material Could be customized according to different enviroment ,like extrame temprature and acid/alkali

Rated voltage	60 V DC±25%
Cable specification	3*0.25mm ² 4*0.25mm ²
ProtectionClass(IEC 60529)	IP67
Ambient temperature	-25~+85°C



M8 Connector Harness

Double end pre cast wire harness



Product drawing	Product size	Pins Assignment

Material and Length		3core	4core
PVC	black3m	M8-M03T/F03S-LED-3.0PVC/BK	M8-M04T/F04S-LED-3.0PVC/BK
PVC	black5m	M8-M03T/F03S-LED-5.0PVC/BK	M8-M04T/F04S-LED-5.0PVC/BK
PVC	black10m	M8-M03T/F03S-LED-10.0PVC/BK	M8-M04T/F04S-LED-10.0PVC/BK
PUR	black3m	M8-M03T/F03S-LED-3.0PUR/BK	M8-M04T/F04S-LED-3.0PUR/BK
PUR	black5m	M8-M03T/F03S-LED-5.0PUR/BK	M8-M04T/F04S-LED-5.0PUR/BK
PUR	black10m	M8-M03T/F03S-LED-10.0PUR/BK	M8-M04T/F04S-LED-10.0PUR/BK
Towchain	black3m	M8-M03T/F03S-LED-3.0TL/BK	M8-M04T/F04S-LED-3.0TL/BK
Towchain	black5m	M8-M03T/F03S-LED-5.0TL/BK	M8-M04T/F04S-LED-5.0TL/BK
Towchain	black10m	M8-M03T/F03S-LED-10.0TL/BK	M8-M04T/F04S-LED-10.0TL/BK
Anti-Welding	orange3m	M8-M03T/F03S-LED-3.0FH/OG	M8-M04T/F04S-LED-5.0FH/OG
Anti-Welding	orange5m	M8-M03T/F03S-LED-5.0FH/OG	M8-M04T/F04S-LED-3.0FH/OG
Anti-Welding	orange10m	M8-M03T/F03S-LED-10.0FH/OG	M8-M04T/F04S-LED-10.0FH/OG
Grey cable	GY		

Double end pre cast wire harness

Product drawing	Product size	Pins Assignment

Material and Length		3core	4core
PVC	black3m	M8-M03S/F03S-3.0PVC/BK	M8-M04S/F04S-3.0PVC/BK
PVC	black5m	M8-M03S/F03S-5.0PVC/BK	M8-M04S/F04S-5.0PVC/BK
PVC	black10m	M8-M03S/F03S-10.0PVC/BK	M8-M04S/F04S-10.0PVC/BK
PUR	black3m	M8-M03S/F03S-3.0PUR/BK	M8-M04S/F04S-3.0PUR/BK
PUR	black5m	M8-M03S/F03S-5.0PUR/BK	M8-M04S/F04S-5.0PUR/BK
PUR	black10m	M8-M03S/F03S-10.0PUR/BK	M8-M04S/F04S-10.0PUR/BK
Towchain	black3m	M8-M03S/F03S-3.0TL/BK	M8-M04S/F04S-3.0TL/BK
Towchain	black5m	M8-M03S/F03S-5.0TL/BK	M8-M04S/F04S-5.0TL/BK
Towchain	black10m	M8-M03S/F03S-10.0TL/BK	M8-M04S/F04S-10.0TL/BK
Anti-Welding	orange3m	M8-M03S/F03S-3.0FH/OG	M8-M04S/F04S-3.0FH/OG
Anti-Welding	orange5m	M8-M03S/F03S-5.0FH/OG	M8-M04S/F04S-5.0FH/OG
Anti-Welding	orange10m	M8-M03S/F03S-10.0FH/OG	M8-M04S/F04S-10.0FH/OG
Grey cable	GY		

Length/Material Could be customized according to different enviroment ,like extrame temprature and acid/alkali

Rated voltage	60 V DC±25%	
Cable specification	3*0.25mm ²	4*0.25mm ²
ProtectionClass(IEC 60529)	IP67	
Ambient temperature	-25~+85°C	



Data ,CAD,3D document please refer to: WWW.VELLEDQ.COM

M8 Connector Harness

Double end pre cast wire harness



Product drawing	Product size	Pins Assignment

Material and Length		3core	4core
PVC	black3m	M8-M03S/F03T-LED-3.0PVC/BK	M8-M04S/F04T-LED-3.0PVC/BK
PVC	black5m	M8-M03S/F03T-LED-5.0PVC/BK	M8-M04S/F04T-LED-5.0PVC/BK
PVC	black10m	M8-M03S/F03T-LED-10.0PVC/BK	M8-M04S/F04T-LED-10.0PVC/BK
PUR	black3m	M8-M03S/F03T-LED-3.0PUR/BK	M8-M04S/F04T-LED-3.0PUR/BK
PUR	black5m	M8-M03S/F03T-LED-5.0PUR/BK	M8-M04S/F04T-LED-5.0PUR/BK
PUR	black10m	M8-M03S/F03T-LED-10.0PUR/BK	M8-M04S/F04T-LED-10.0PUR/BK
Towchain	black3m	M8-M03S/F03T-LED-3.0TL/BK	M8-M04S/F04T-LED-3.0TL/BK
Towchain	black5m	M8-M03S/F03T-LED-5.0TL/BK	M8-M04S/F04T-LED-5.0TL/BK
Towchain	black10m	M8-M03S/F03T-LED-10.0TL/BK	M8-M04S/F04T-LED-10.0TL/BK
Anti-Welding	orange3m	M8-M03S/F03T-LED-3.0FH/OG	M8-M04S/F04T-LED-3.0FH/OG
Anti-Welding	orange5m	M8-M03S/F03T-LED-5.0FH/OG	M8-M04S/F04T-LED-5.0FH/OG
Anti-Welding	orange10m	M8-M03S/F03T-LED-10.0FH/OG	M8-M04S/F04T-LED-10.0FH/OG
Grey cable	GY		

Double end pre cast wire harness



Product drawing	Product size	Pins Assignment

Material and Length		3core	4core
PVC	black3m	M8-M03S/F03S-LED-3.0PVC/BK	M8-M04S/F04S-LED-3.0PVC/BK
PVC	black5m	M8-M03S/F03S-LED-5.0PVC/BK	M8-M04S/F04S-LED-5.0PVC/BK
PVC	black10m	M8-M03S/F03S-LED-10.0PVC/BK	M8-M04S/F04S-LED-10.0PVC/BK
PUR	black3m	M8-M03S/F03S-LED-3.0PUR/BK	M8-M04S/F04S-LED-3.0PUR/BK
PUR	black5m	M8-M03S/F03S-LED-5.0PUR/BK	M8-M04S/F04S-LED-5.0PUR/BK
PUR	black10m	M8-M03S/F03S-LED-10.0PUR/BK	M8-M04S/F04S-LED-10.0PUR/BK
Towchain	black3m	M8-M03S/F03S-LED-3.0TL/BK	M8-M04S/F04S-LED-3.0TL/BK
Towchain	black5m	M8-M03S/F03S-LED-5.0TL/BK	M8-M04S/F04S-LED-5.0TL/BK
Towchain	black10m	M8-M03S/F03S-LED-10.0TL/BK	M8-M04S/F04S-LED-10.0TL/BK
Anti-Welding	orange3m	M8-M03S/F03S-LED-3.0FH/OG	M8-M04S/F04S-LED-3.0FH/OG
Anti-Welding	orange5m	M8-M03S/F03S-LED-5.0FH/OG	M8-M04S/F04S-LED-5.0FH/OG
Anti-Welding	orange10m	M8-M03S/F03S-LED-10.0FH/OG	M8-M04S/F04S-LED-10.0FH/OG
Grey cable	GY		

Length/Material Could be customized according to different environment ,like extrame temprature and acid/alkali

Rated voltage	60 V DC±25%	
Cable specification	3*0.25mm ²	4*0.25mm ²
ProtectionClass(IEC 60529)	IP67	
Ambient temperature	-25~+85°C	



M8 Connector Harness

Double end pre cast wire harness



Product drawing	Product size	Pins Assignment

Material and Length		3core	4core
PVC	black3m	M8P-M03T/F03T-3.0PVC/BK	M8P-M04T/F04T-3.0PVC/BK
PVC	black5m	M8P-M03T/F03T-5.0PVC/BK	M8P-M04T/F04T-5.0PVC/BK
PVC	black10m	M8P-M03T/F03T-10.0PVC/BK	M8P-M04T/F04T-10.0PVC/BK
PUR	black3m	M8P-M03T/F03T-3.0PUR/BK	M8P-M04T/F04T-3.0PUR/BK
PUR	black5m	M8P-M03T/F03T-5.0PUR/BK	M8P-M04T/F04T-5.0PUR/BK
PUR	black10m	M8P-M03T/F03T-10.0PUR/BK	M8P-M04T/F04T-10.0PUR/BK
Towchain	black3m	M8P-M03T/F03T-3.0TL/BK	M8P-M04T/F04T-3.0TL/BK
Towchain	black5m	M8P-M03T/F03T-5.0TL/BK	M8P-M04T/F04T-5.0TL/BK
Towchain	black10m	M8P-M03T/F03T-10.0TL/BK	M8P-M04T/F04T-10.0TL/BK
Anti-Welding	orange3m	M8P-M03T/F03T-3.0FH/OG	M8P-M04T/F04T-3.0FH/OG
Anti-Welding	orange5m	M8P-M03T/F03T-5.0FH/OG	M8P-M04T/F04T-5.0FH/OG
Anti-Welding	orange10m	M8P-M03T/F03T-10.0FH/OG	M8P-M04T/F04T-10.0FH/OG
Grey cable	GY		

Double end pre cast wire harness



Product drawing	Product size	Pins Assignment

Material and Length		3core	4core
PVC	black3m	M8P-M03T/F03S-3.0PVC/BK	M8P-M04T/F04S-3.0PVC/BK
PVC	black5m	M8P-M03T/F03S-5.0PVC/BK	M8P-M04T/F04S-5.0PVC/BK
PVC	black10m	M8P-M03T/F03S-10.0PVC/BK	M8P-M04T/F04S-10.0PVC/BK
PUR	black3m	M8P-M03T/F03S-3.0PUR/BK	M8P-M04T/F04S-3.0PUR/BK
PUR	black5m	M8P-M03T/F03S-5.0PUR/BK	M8P-M04T/F04S-5.0PUR/BK
PUR	black10m	M8P-M03T/F03S-10.0PUR/BK	M8P-M04T/F04S-10.0PUR/BK
Towchain	black3m	M8P-M03T/F03S-3.0TL/BK	M8P-M04T/F04S-3.0TL/BK
Towchain	black5m	M8P-M03T/F03S-5.0TL/BK	M8P-M04T/F04S-5.0TL/BK
Towchain	black10m	M8P-M03T/F03S-10.0TL/BK	M8P-M04T/F04S-10.0TL/BK
Anti-Welding	orange3m	M8P-M03T/F03S-3.0FH/OG	M8P-M04T/F04S-3.0FH/OG
Anti-Welding	orange5m	M8P-M03T/F03S-5.0FH/OG	M8P-M04T/F04S-5.0FH/OG
Anti-Welding	orange10m	M8P-M03T/F03S-10.0FH/OG	M8P-M04T/F04S-10.0FH/OG
Grey cable	GY		

Length/Material Could be customized according to different environment ,like extreme temperature and acid/alkali

Rated voltage	60 V DC±25%	
Cable specification	3*0.25mm ²	4*0.25mm ²
ProtectionClass(IEC 60529)	IP67	
Ambient temperature	-25~+85°C	



Data ,CAD,3D document please refer to: WWW.VELLEDQ.COM



M8 Connector Harness

Double end pre cast wire harness



Product drawing	Product size	Pins Assignment

Material and Length		3core	4core
PVC	black3m	M8P-M03S/F03S-3.0PVC/BK	M8P-M04S/F04S-3.0PVC/BK
PVC	black5m	M8P-M03S/F03S-5.0PVC/BK	M8P-M04S/F04S-5.0PVC/BK
PVC	black10m	M8P-M03S/F03S-10.0PVC/BK	M8P-M04S/F04S-10.0PVC/BK
PUR	black3m	M8P-M03S/F03S-3.0PUR/BK	M8P-M04S/F04S-3.0PUR/BK
PUR	black5m	M8P-M03S/F03S-5.0PUR/BK	M8P-M04S/F04S-5.0PUR/BK
PUR	black10m	M8P-M03S/F03S-10.0PUR/BK	M8P-M04S/F04S-10.0PUR/BK
Towchain	black3m	M8P-M03S/F03S-3.0TL/BK	M8P-M04S/F04S-3.0TL/BK
Towchain	black5m	M8P-M03S/F03S-5.0TL/BK	M8P-M04S/F04S-5.0TL/BK
Towchain	black10m	M8P-M03S/F03S-10.0TL/BK	M8P-M04S/F04S-10.0TL/BK
Anti-Welding	orange3m	M8P-M03S/F03S-3.0FH/OG	M8P-M04S/F04S-3.0FH/OG
Anti-Welding	orange5m	M8P-M03S/F03S-5.0FH/OG	M8P-M04S/F04S-5.0FH/OG
Anti-Welding	orange10m	M8P-M03S/F03S-10.0FH/OG	M8P-M04S/F04S-10.0FH/OG
Grey cable	GY		

Double end pre cast wire harness

Product drawing	Product size	Pins Assignment

Material and Length		3core	4core
PVC	black3m	M8-M03T/M12-F03T-3.0PVC/BK	M8-M04T/M12-F04T-3.0PVC/BK
PVC	black5m	M8-M03T/M12-F03T-5.0PVC/BK	M8-M04T/M12-F04T-5.0PVC/BK
PVC	black10m	M8-M03T/M12-F03T-10.0PVC/BK	M8-M04T/M12-F04T-10.0PVC/BK
PUR	black3m	M8-M03T/M12-F03T-3.0PUR/BK	M8-M04T/M12-F04T-3.0PUR/BK
PUR	black5m	M8-M03T/M12-F03T-5.0PUR/BK	M8-M04T/M12-F04T-5.0PUR/BK
PUR	black10m	M8-M03T/M12-F03T-10.0PUR/BK	M8-M04T/M12-F04T-10.0PUR/BK
Towchain	black3m	M8-M03T/M12-F03T-3.0TL/BK	M8-M04T/M12-F04T-3.0TL/BK
Towchain	black5m	M8-M03T/M12-F03T-5.0TL/BK	M8-M04T/M12-F04T-5.0TL/BK
Towchain	black10m	M8-M03T/M12-F03T-10.0TL/BK	M8-M04T/M12-F04T-10.0TL/BK
Anti-Welding	orange3m	M8-M03T/M12-F03T-3.0FH/OG	M8-M04T/M12-F04T-3.0FH/OG
Anti-Welding	orange5m	M8-M03T/M12-F03T-5.0FH/OG	M8-M04T/M12-F04T-5.0FH/OG
Anti-Welding	orange10m	M8-M03T/M12-F03T-10.0FH/OG	M8-M04T/M12-F04T-10.0FH/OG
Grey cable	GY		

Length/Material Could be customized according to different environment, like extreme temperature and acid/alkali

Rated voltage	60 V DC±25%	
Cable specification	3*0.25mm ²	4*0.25mm ²
ProtectionClass(IEC 60529)	IP67	
Ambient temperature	-25~+85°C	



M8 Connector Harness

Double end pre cast wire harness

Product drawing	Product size	Pins Assignment

Material and Length		3core	4core
PVC	black3m	M8-M03T/M12-F03S-3.0PVC/BK	M8-M04T/M12-F04S-3.0PVC/BK
PVC	black5m	M8-M03T/M12-F03S-5.0PVC/BK	M8-M04T/M12-F04S-5.0PVC/BK
PVC	black10m	M8-M03T/M12-F03S-10.0PVC/BK	M8-M04T/M12-F04S-10.0PVC/BK
PUR	black3m	M8-M03T/M12-F03S-3.0PUR/BK	M8-M04T/M12-F04S-3.0PUR/BK
PUR	black5m	M8-M03T/M12-F03S-5.0PUR/BK	M8-M04T/M12-F04S-5.0PUR/BK
PUR	black10m	M8-M03T/M12-F03S-10.0PUR/BK	M8-M04T/M12-F04S-10.0PUR/BK
Towchain	black3m	M8-M03T/M12-F03S-3.0TL/BK	M8-M04T/M12-F04S-3.0TL/BK
Towchain	black5m	M8-M03T/M12-F03S-5.0TL/BK	M8-M04T/M12-F04S-5.0TL/BK
Towchain	black10m	M8-M03T/M12-F03S-10.0TL/BK	M8-M04T/M12-F04S-10.0TL/BK
Anti-Welding	orange3m	M8-M03T/M12-F03S-3.0FH/OG	M8-M04T/M12-F04S-3.0FH/OG
Anti-Welding	orange5m	M8-M03T/M12-F03S-5.0FH/OG	M8-M04T/M12-F04S-5.0FH/OG
Anti-Welding	orange10m	M8-M03T/M12-F03S-10.0FH/OG	M8-M04T/M12-F04S-10.0FH/OG
Grey cable	GY		

Double end pre cast wire harness



Product drawing	Product size	Pins Assignment

Material and Length		3core	4core
PVC	black3m	M8-M03T/M12-F03T-LED-3.0PVC/BK	M8-M04T/M12-F04T-LED-3.0PVC/BK
PVC	black5m	M8-M03T/M12-F03T-LED-5.0PVC/BK	M8-M04T/M12-F04T-LED-5.0PVC/BK
PVC	black10m	M8-M03T/M12-F03T-LED-10.0PVC/BK	M8-M04T/M12-F04T-LED-10.0PVC/BK
PUR	black3m	M8-M03T/M12-F03T-LED-3.0PUR/BK	M8-M04T/M12-F04T-LED-3.0PUR/BK
PUR	black5m	M8-M03T/M12-F03T-LED-5.0PUR/BK	M8-M04T/M12-F04T-LED-5.0PUR/BK
PUR	black10m	M8-M03T/M12-F03T-LED-10.0PUR/BK	M8-M04T/M12-F04T-LED-10.0PUR/BK
Towchain	black3m	M8-M03T/M12-F03T-LED-3.0TL/BK	M8-M04T/M12-F04T-LED-3.0TL/BK
Towchain	black5m	M8-M03T/M12-F03T-LED-5.0TL/BK	M8-M04T/M12-F04T-LED-5.0TL/BK
Towchain	black10m	M8-M03T/M12-F03T-LED-10.0TL/BK	M8-M04T/M12-F04T-LED-10.0TL/BK
Anti-Welding	orange3m	M8-M03T/M12-F03T-LED-3.0FH/OG	M8-M04T/M12-F04T-LED-3.0FH/OG
Anti-Welding	orange5m	M8-M03T/M12-F03T-LED-5.0FH/OG	M8-M04T/M12-F04T-LED-5.0FH/OG
Anti-Welding	orange10m	M8-M03T/M12-F03T-LED-10.0FH/OG	M8-M04T/M12-F04T-LED-10.0FH/OG
Grey cable	GY		

Length/Material Could be customized according to different environment, like extreme temperature and acid/alkali

Rated voltage	60 V DC±25%
Cable specification	3*0.25mm ² 4*0.25mm ²
ProtectionClass(IEC 60529)	IP67
Ambient temperature	-25~+85°C



Data ,CAD,3D document please refer to: WWW.VELLEDQ.COM



M8 Connector Harness

Double end pre cast wire harness



Product drawing	Product size	Pins Assignment

Material and Length		3core	4core
PVC	black3m	M8-M03T/M12-F03S-LED-3.0PVC/BK	M8-M04T/M12-F04S-LED-3.0PVC/BK
PVC	black5m	M8-M03T/M12-F03S-LED-5.0PVC/BK	M8-M04T/M12-F04S-LED-5.0PVC/BK
PVC	black10m	M8-M03T/M12-F03S-LED-10.0PVC/BK	M8-M04T/M12-F04S-LED-10.0PVC/BK
PUR	black3m	M8-M03T/M12-F03S-LED-3.0PUR/BK	M8-M04T/M12-F04S-LED-3.0PUR/BK
PUR	black5m	M8-M03T/M12-F03S-LED-5.0PUR/BK	M8-M04T/M12-F04S-LED-5.0PUR/BK
PUR	black10m	M8-M03T/M12-F03S-LED-10.0PUR/BK	M8-M04T/M12-F04S-LED-10.0PUR/BK
Towchain	black3m	M8-M03T/M12-F03S-LED-3.0TL/BK	M8-M04T/M12-F04S-LED-3.0TL/BK
Towchain	black5m	M8-M03T/M12-F03S-LED-5.0TL/BK	M8-M04T/M12-F04S-LED-5.0TL/BK
Towchain	black10m	M8-M03T/M12-F03S-LED-10.0TL/BK	M8-M04T/M12-F04S-LED-10.0TL/BK
Anti-Welding	orange3m	M8-M03T/M12-F03S-LED-3.0FH/OG	M8-M04T/M12-F04S-LED-3.0FH/OG
Anti-Welding	orange5m	M8-M03T/M12-F03S-LED-5.0FH/OG	M8-M04T/M12-F04S-LED-5.0FH/OG
Anti-Welding	orange10m	M8-M03T/M12-F03S-LED-10.0FH/OG	M8-M04T/M12-F04S-LED-10.0FH/OG
Grey cable	GY		

Double end pre cast wire harness

Product drawing	Product size	Pins Assignment

Material and Length		3core	4core
PVC	black3m	M8-M03S/M12-F03S-3.0PVC/BK	M8-M04S/M12-F04S-3.0PVC/BK
PVC	black5m	M8-M03S/M12-F03S-5.0PVC/BK	M8-M04S/M12-F04S-5.0PVC/BK
PVC	black10m	M8-M03S/M12-F03S-10.0PVC/BK	M8-M04S/M12-F04S-10.0PVC/BK
PUR	black3m	M8-M03S/M12-F03S-3.0PUR/BK	M8-M04S/M12-F04S-3.0PUR/BK
PUR	black5m	M8-M03S/M12-F03S-5.0PUR/BK	M8-M04S/M12-F04S-5.0PUR/BK
PUR	black10m	M8-M03S/M12-F03S-10.0PUR/BK	M8-M04S/M12-F04S-10.0PUR/BK
Towchain	black3m	M8-M03S/M12-F03S-3.0TL/BK	M8-M04S/M12-F04S-3.0TL/BK
Towchain	black5m	M8-M03S/M12-F03S-5.0TL/BK	M8-M04S/M12-F04S-5.0TL/BK
Towchain	black10m	M8-M03S/M12-F03S-10.0TL/BK	M8-M04S/M12-F04S-10.0TL/BK
Anti-Welding	orange3m	M8-M03S/M12-F03S-3.0FH/OG	M8-M04S/M12-F04S-3.0FH/OG
Anti-Welding	orange5m	M8-M03S/M12-F03S-5.0FH/OG	M8-M04S/M12-F04S-5.0FH/OG
Anti-Welding	orange10m	M8-M03S/M12-F03S-10.0FH/OG	M8-M04S/M12-F04S-10.0FH/OG
Grey cable	GY		

Length/Material Could be customized according to different environment, like extreme temperature and acid/alkali

Rated voltage	60 V DC±25%
Cable specification	3*0.25mm ² 4*0.25mm ²
ProtectionClass(IEC 60529)	IP67
Ambient temperature	-25~+85°C



M8 Connector Harness

Double end pre cast wire harness



Product drawing	Product size	Pins Assignment

Material and Length		3core	4core
PVC	black3m	M8-M03S/M12-F03T-LED-3.0PVC/BK	M8-M04S/M12-F04T-LED-3.0PVC/BK
PVC	black5m	M8-M03S/M12-F03T-LED-5.0PVC/BK	M8-M04S/M12-F04T-LED-5.0PVC/BK
PVC	black10m	M8-M03S/M12-F03T-LED-10.0PVC/BK	M8-M04S/M12-F04T-LED-10.0PVC/BK
PUR	black3m	M8-M03S/M12-F03T-LED-3.0PUR/BK	M8-M04S/M12-F04T-LED-3.0PUR/BK
PUR	black5m	M8-M03S/M12-F03T-LED-5.0PUR/BK	M8-M04S/M12-F04T-LED-5.0PUR/BK
PUR	black10m	M8-M03S/M12-F03T-LED-10.0PUR/BK	M8-M04S/M12-F04T-LED-10.0PUR/BK
Towchain	black3m	M8-M03S/M12-F03T-LED-3.0TL/BK	M8-M04S/M12-F04T-LED-3.0TL/BK
Towchain	black5m	M8-M03S/M12-F03T-LED-5.0TL/BK	M8-M04S/M12-F04T-LED-5.0TL/BK
Towchain	black10m	M8-M03S/M12-F03T-LED-10.0TL/BK	M8-M04S/M12-F04T-LED-10.0TL/BK
Anti-Welding	orange3m	M8-M03S/M12-F03T-LED-3.0FH/OG	M8-M04S/M12-F04T-LED-3.0FH/OG
Anti-Welding	orange5m	M8-M03S/M12-F03T-LED-5.0FH/OG	M8-M04S/M12-F04T-LED-5.0FH/OG
Anti-Welding	orange10m	M8-M03S/M12-F03T-LED-10.0FH/OG	M8-M04S/M12-F04T-LED-10.0FH/OG
Grey cable	GY		

Double end pre cast wire harness



Product drawing	Product size	Pins Assignment

Material and Length		3core	4core
PVC	black3m	M8-M03S/M12-F03S-LED-3.0PVC/BK	M8-M04S/M12-F04S-LED-3.0PVC/BK
PVC	black5m	M8-M03S/M12-F03S-LED-5.0PVC/BK	M8-M04S/M12-F04S-LED-5.0PVC/BK
PVC	black10m	M8-M03S/M12-F03S-LED-10.0PVC/BK	M8-M04S/M12-F04S-LED-10.0PVC/BK
PUR	black3m	M8-M03S/M12-F03S-LED-3.0PUR/BK	M8-M04S/M12-F04S-LED-3.0PUR/BK
PUR	black5m	M8-M03S/M12-F03S-LED-5.0PUR/BK	M8-M04S/M12-F04S-LED-5.0PUR/BK
PUR	black10m	M8-M03S/M12-F03S-LED-10.0PUR/BK	M8-M04S/M12-F04S-LED-10.0PUR/BK
Towchain	black3m	M8-M03S/M12-F03S-LED-3.0TL/BK	M8-M04S/M12-F04S-LED-3.0TL/BK
Towchain	black5m	M8-M03S/M12-F03S-LED-5.0TL/BK	M8-M04S/M12-F04S-LED-5.0TL/BK
Towchain	black10m	M8-M03S/M12-F03S-LED-10.0TL/BK	M8-M04S/M12-F04S-LED-10.0TL/BK
Anti-Welding	orange3m	M8-M03S/M12-F03S-LED-3.0FH/OG	M8-M04S/M12-F04S-LED-3.0FH/OG
Anti-Welding	orange5m	M8-M03S/M12-F03S-LED-5.0FH/OG	M8-M04S/M12-F04S-LED-5.0FH/OG
Anti-Welding	orange10m	M8-M03S/M12-F03S-LED-10.0FH/OG	M8-M04S/M12-F04S-LED-10.0FH/OG
Grey cable	GY		

Length/Material Could be customized according to different enviroment ,like extrame temprature and acid/alkali

Rated voltage	60 V DC±25%	
Cable specification	3*0.25mm ²	4*0.25mm ²
ProtectionClass(IEC 60529)	IP67	
Ambient temperature	-25~+85°C	



Data ,CAD,3D document please refer to: WWW.VELLEDQ.COM



M8 Connector Harness

Double end pre cast wire harness

Product drawing	Product size	Pins Assignment

Material and Length		3core	4core	Common spare parts
PVC	black3m	M8-M03T/M12-F03T-3.0PVC/BK	M8-M04T/M12-F04T-3.0PVC/BK	
PVC	black5m	M8-M03T/M12-F03T-5.0PVC/BK	M8-M04T/M12-F04T-5.0PVC/BK	
PVC	black10m	M8-M03T/M12-F03T-10.0PVC/BK	M8-M04T/M12-F04T-10.0PVC/BK	
PUR	black3m	M8-M03T/M12-F03T-3.0PUR/BK	M8-M04T/M12-F04T-3.0PUR/BK	
PUR	black5m	M8-M03T/M12-F03T-5.0PUR/BK	M8-M04T/M12-F04T-5.0PUR/BK	
PUR	black10m	M8-M03T/M12-F03T-10.0PUR/BK	M8-M04T/M12-F04T-10.0PUR/BK	
Towchain	black3m	M8-M03T/M12-F03T-3.0TL/BK	M8-M04T/M12-F04T-3.0TL/BK	
Towchain	black5m	M8-M03T/M12-F03T-5.0TL/BK	M8-M04T/M12-F04T-5.0TL/BK	
Towchain	black10m	M8-M03T/M12-F03T-10.0TL/BK	M8-M04T/M12-F04T-10.0TL/BK	
Anti-Welding	orange3m	M8-M03T/M12-F03T-3.0FH/OG	M8-M04T/M12-F04T-3.0FH/OG	
Anti-Welding	orange5m	M8-M03T/M12-F03T-5.0FH/OG	M8-M04T/M12-F04T-5.0FH/OG	
Anti-Welding	orange10m	M8-M03T/M12-F03T-10.0FH/OG	M8-M04T/M12-F04T-10.0FH/OG	
Grey cable	GY			

Double end pre cast wire harness

Product drawing	Product size	Pins Assignment

Material and Length		3core	4core	Common spare parts
PVC	black3m	M12-M03T/M8-F03S-3.0PVC/BK	M12-M04T/M8-F04S-3.0PVC/BK	
PVC	black5m	M12-M03T/M8-F03S-5.0PVC/BK	M12-M04T/M8-F04S-5.0PVC/BK	
PVC	black10m	M12-M03T/M8-F03S-10.0PVC/BK	M12-M04T/M8-F04S-10.0PVC/BK	
PUR	black3m	M12-M03T/M8-F03S-3.0PUR/BK	M12-M04T/M8-F04S-3.0PUR/BK	
PUR	black5m	M12-M03T/M8-F03S-5.0PUR/BK	M12-M04T/M8-F04S-5.0PUR/BK	
PUR	black10m	M12-M03T/M8-F03S-10.0PUR/BK	M12-M04T/M8-F04S-10.0PUR/BK	
Towchain	black3m	M12-M03T/M8-F03S-3.0TL/BK	M12-M04T/M8-F04S-3.0TL/BK	
Towchain	black5m	M12-M03T/M8-F03S-5.0TL/BK	M12-M04T/M8-F04S-5.0TL/BK	
Towchain	black10m	M12-M03T/M8-F03S-10.0TL/BK	M12-M04T/M8-F04S-10.0TL/BK	
Anti-Welding	orange3m	M12-M03T/M8-F03S-3.0FH/OG	M12-M04T/M8-F04S-3.0FH/OG	
Anti-Welding	orange5m	M12-M03T/M8-F03S-5.0FH/OG	M12-M04T/M8-F04S-5.0FH/OG	
Anti-Welding	orange10m	M12-M03T/M8-F03S-10.0FH/OG	M12-M04T/M8-F04S-10.0FH/OG	
Grey cable	GY			

Length/Material Could be customized according to different environment, like extreme temperature and acid/alkali

Rated voltage	60 V DC±25%
Cable specification	3*0.25mm ² 4*0.25mm ²
ProtectionClass(IEC 60529)	IP67
Ambient temperature	-25~+85°C



M8 Connector Harness

Double end pre cast wire harness



Product drawing	Product size	Pins Assignment

Material and Length		3core	4core
PVC	black3m	M8-M03T/M12-F03T-LED-3.0PVC/BK	M8-M04T/M12-F04T-LED-3.0PVC/BK
PVC	black5m	M8-M03T/M12-F03T-LED-5.0PVC/BK	M8-M04T/M12-F04T-LED-5.0PVC/BK
PVC	black10m	M8-M03T/M12-F03T-LED-10.0PVC/BK	M8-M04T/M12-F04T-LED-10.0PVC/BK
PUR	black3m	M8-M03T/M12-F03T-LED-3.0PUR/BK	M8-M04T/M12-F04T-LED-3.0PUR/BK
PUR	black5m	M8-M03T/M12-F03T-LED-5.0PUR/BK	M8-M04T/M12-F04T-LED-5.0PUR/BK
PUR	black10m	M8-M03T/M12-F03T-LED-10.0PUR/BK	M8-M04T/M12-F04T-LED-10.0PUR/BK
Towchain	black3m	M8-M03T/M12-F03T-LED-3.0TL/BK	M8-M04T/M12-F04T-LED-3.0TL/BK
Towchain	black5m	M8-M03T/M12-F03T-LED-5.0TL/BK	M8-M04T/M12-F04T-LED-5.0TL/BK
Towchain	black10m	M8-M03T/M12-F03T-LED-10.0TL/BK	M8-M04T/M12-F04T-LED-10.0TL/BK
Anti-Welding	orange3m	M8-M03T/M12-F03T-LED-3.0FH/OG	M8-M04T/M12-F04T-LED-3.0FH/OG
Anti-Welding	orange5m	M8-M03T/M12-F03T-LED-5.0FH/OG	M8-M04T/M12-F04T-LED-5.0FH/OG
Anti-Welding	orange10m	M8-M03T/M12-F03T-LED-10.0FH/OG	M8-M04T/M12-F04T-LED-10.0FH/OG
Grey cable	GY		

Double end pre cast wire harness



Product drawing	Product size	Pins Assignment

Material and Length		3core	4core
PVC	black3m	M12-M03T/M8-F03S-LED-3.0PVC/BK	M12-M04T/M8-F04S-LED-3.0PVC/BK
PVC	black5m	M12-M03T/M8-F03S-LED-5.0PVC/BK	M12-M04T/M8-F04S-LED-5.0PVC/BK
PVC	black10m	M12-M03T/M8-F03S-LED-10.0PVC/BK	M12-M04T/M8-F04S-LED-10.0PVC/BK
PUR	black3m	M12-M03T/M8-F03S-LED-3.0PUR/BK	M12-M04T/M8-F04S-LED-3.0PUR/BK
PUR	black5m	M12-M03T/M8-F03S-LED-5.0PUR/BK	M12-M04T/M8-F04S-LED-5.0PUR/BK
PUR	black10m	M12-M03T/M8-F03S-LED-10.0PUR/BK	M12-M04T/M8-F04S-LED-10.0PUR/BK
Towchain	black3m	M12-M03T/M8-F03S-LED-3.0TL/BK	M12-M04T/M8-F04S-LED-3.0TL/BK
Towchain	black5m	M12-M03T/M8-F03S-LED-5.0TL/BK	M12-M04T/M8-F04S-LED-5.0TL/BK
Towchain	black10m	M12-M03T/M8-F03S-LED-10.0TL/BK	M12-M04T/M8-F04S-LED-10.0TL/BK
Anti-Welding	orange3m	M12-M03T/M8-F03S-LED-3.0FH/OG	M12-M04T/M8-F04S-LED-3.0FH/OG
Anti-Welding	orange5m	M12-M03T/M8-F03S-LED-5.0FH/OG	M12-M04T/M8-F04S-LED-5.0FH/OG
Anti-Welding	orange10m	M12-M03T/M8-F03S-LED-10.0FH/OG	M12-M04T/M8-F04S-LED-10.0FH/OG
Grey cable	GY		

Length/Material Could be customized according to different environment, like extreme temperature and acid/alkali

Rated voltage	60 V DC±25%	
Cable specification	3*0.25mm ²	4*0.25mm ²
ProtectionClass(IEC 60529)	IP67	
Ambient temperature	-25~ +85°C	



Data ,CAD,3D document please refer to: WWW.VELLEDQ.COM



M8 Connector Harness

Double end pre cast wire harness



Product drawing	Product size	Pins Assignment

Material and Length		3 core	4 core
PVC	black3m	M8P-M03T/M12P-F03T-3.0PVC/BK	M8P-M04T/M12P-F04T-3.0PVC/BK
PVC	black5m	M8P-M03T/M12P-F03T-5.0PVC/BK	M8P-M04T/M12P-F04T-5.0PVC/BK
PVC	black10m	M8P-M03T/M12P-F03T-10.0PVC/BK	M8P-M04T/M12P-F04T-10.0PVC/BK
PUR	black3m	M8P-M03T/M12P-F03T-3.0PUR/BK	M8P-M04T/M12P-F04T-3.0PUR/BK
PUR	black5m	M8P-M03T/M12P-F03T-5.0PUR/BK	M8P-M04T/M12P-F04T-5.0PUR/BK
PUR	black10m	M8P-M03T/M12P-F03T-10.0PUR/BK	M8P-M04T/M12P-F04T-10.0PUR/BK
Towchain	black3m	M8P-M03T/M12P-F03T-3.0TL/BK	M8P-M04T/M12P-F04T-3.0TL/BK
Towchain	black5m	M8P-M03T/M12P-F03T-5.0TL/BK	M8P-M04T/M12P-F04T-5.0TL/BK
Towchain	black10m	M8P-M03T/M12P-F03T-10.0TL/BK	M8P-M04T/M12P-F04T-10.0TL/BK
Anti-Welding	orange3m	M8P-M03T/M12P-F03T-3.0FH/OG	M8P-M04T/M12P-F04T-3.0FH/OG
Anti-Welding	orange5m	M8P-M03T/M12P-F03T-5.0FH/OG	M8P-M04T/M12P-F04T-5.0FH/OG
Anti-Welding	orange10m	M8P-M03T/M12P-F03T-10.0FH/OG	M8P-M04T/M12P-F04T-10.0FH/OG
Grey cable	GY		

Double end pre cast wire harness



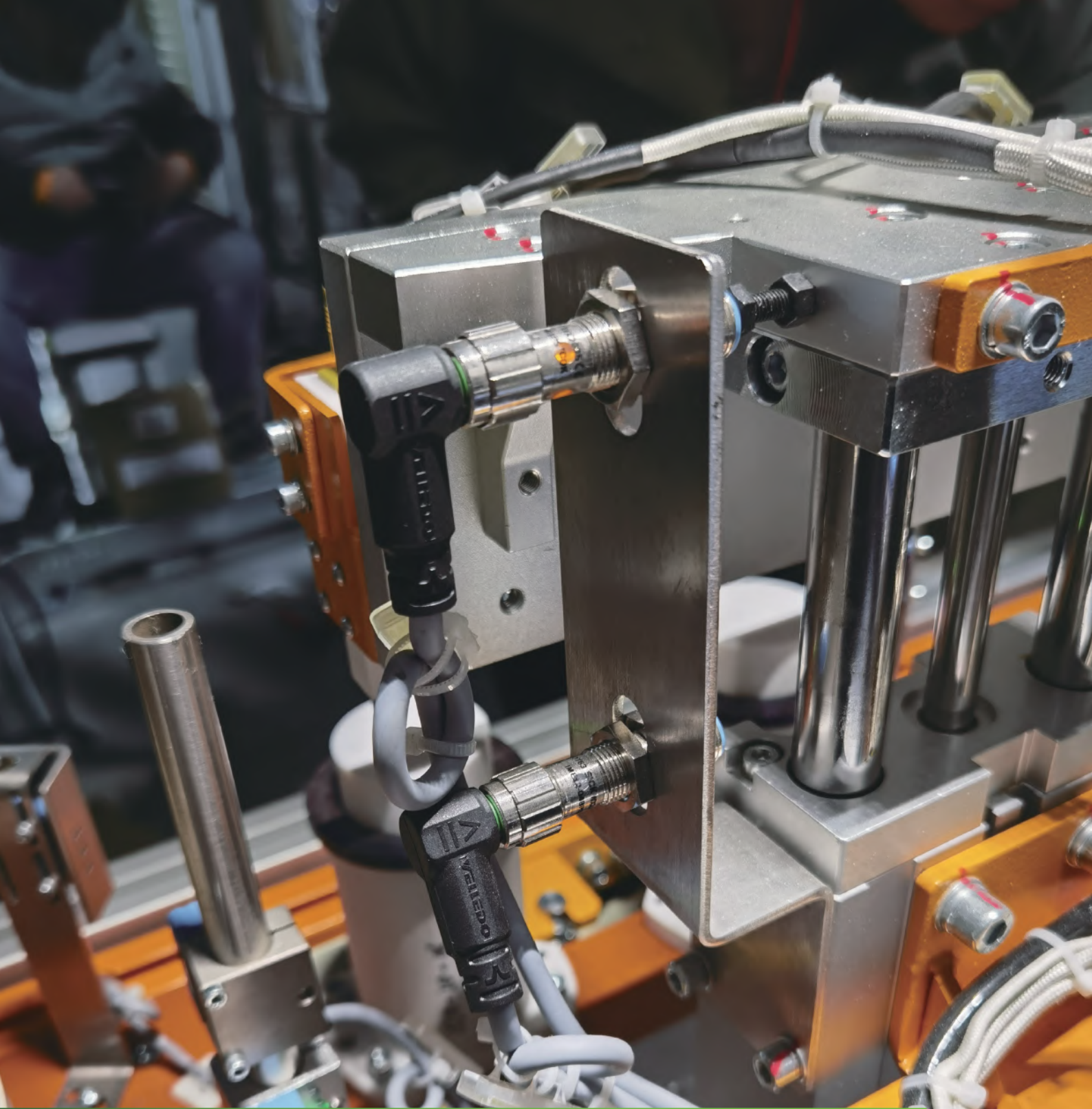
Product drawing	Product size	Pins Assignment

Material and Length		3 core	4 core
PVC	black3m	M8P-M03S/M12P-F03S-3.0PVC/BK	M8P-M04S/M12P-F04S-3.0PVC/BK
PVC	black5m	M8P-M03S/M12P-F03S-5.0PVC/BK	M8P-M04S/M12P-F04S-5.0PVC/BK
PVC	black10m	M8P-M03S/M12P-F03S-10.0PVC/BK	M8P-M04S/M12P-F04S-10.0PVC/BK
PUR	black3m	M8P-M03S/M12P-F03S-3.0PUR/BK	M8P-M04S/M12P-F04S-3.0PUR/BK
PUR	black5m	M8P-M03S/M12P-F03S-5.0PUR/BK	M8P-M04S/M12P-F04S-5.0PUR/BK
PUR	black10m	M8P-M03S/M12P-F03S-10.0PUR/BK	M8P-M04S/M12P-F04S-10.0PUR/BK
Towchain	black3m	M8P-M03S/M12P-F03S-3.0TL/BK	M8P-M04S/M12P-F04S-3.0TL/BK
Towchain	black5m	M8P-M03S/M12P-F03S-5.0TL/BK	M8P-M04S/M12P-F04S-5.0TL/BK
Towchain	black10m	M8P-M03S/M12P-F03S-10.0TL/BK	M8P-M04S/M12P-F04S-10.0TL/BK
Anti-Welding	orange3m	M8P-M03S/M12P-F03S-3.0FH/OG	M8P-M04S/M12P-F04S-3.0FH/OG
Anti-Welding	orange5m	M8P-M03S/M12P-F03S-5.0FH/OG	M8P-M04S/M12P-F04S-5.0FH/OG
Anti-Welding	orange10m	M8P-M03S/M12P-F03S-10.0FH/OG	M8P-M04S/M12P-F04S-10.0FH/OG
Grey cable	GY		

Length/Material Could be customized according to different enviroment ,like extrame temprature and acid/alkali

Rated voltage	60 V DC±25%	
Cable specification	3*0.25mm ²	4*0.25mm ²
ProtectionClass(IEC 60529)	IP67	
Ambient temperature	-25~+85°C	

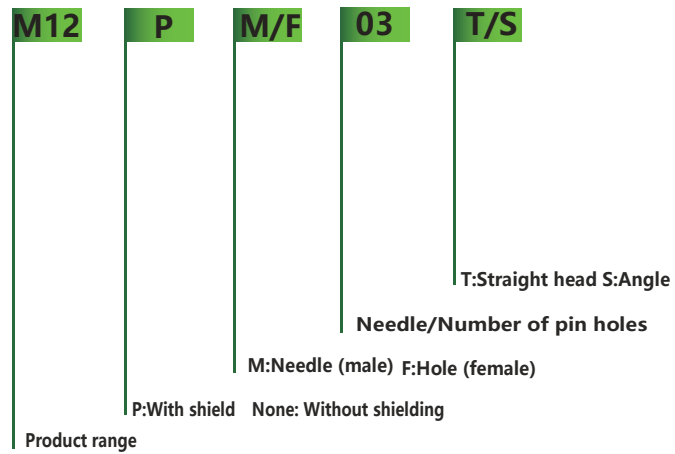




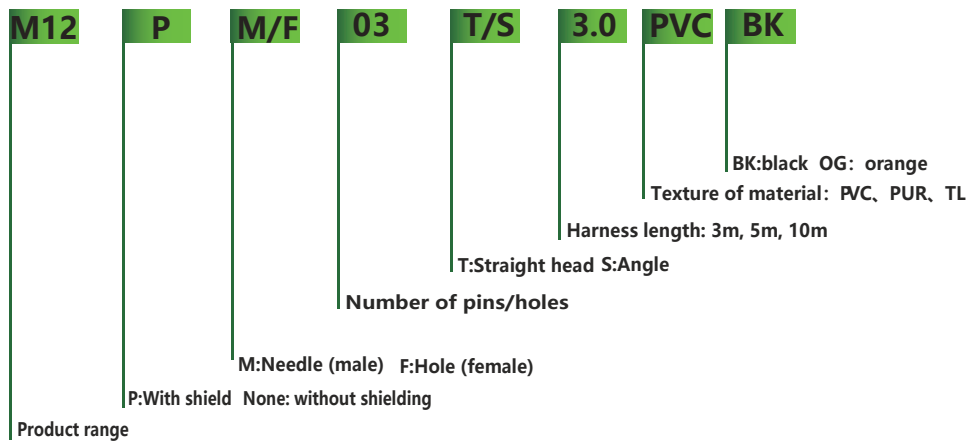
M12 Connector/Harness



品名: 连接器
规格: M12
Krius 米流: 466-2
日期: 2024-10-20



M12 Connector Harness Naming



M12 Connector Designation

Field-wireable Screw terminals


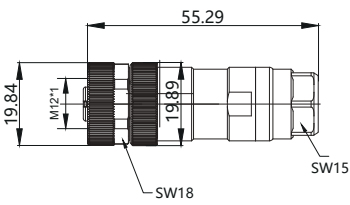
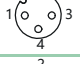
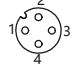
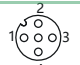
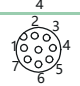

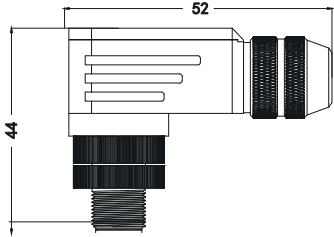
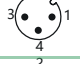
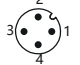
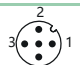
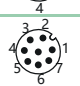

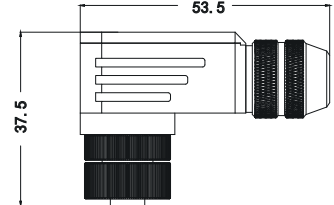
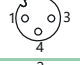
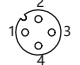
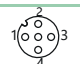
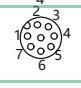
Product drawing	Product size	Partnumber	Pins Assignment
		M12-F03T	
		M12-F04T	
		M12-F05T	
		M12-F08T	
		M12-M03T	
		M12-M04T	
		M12-M05T	
		M12-M08T	
		M12-M03S	
		M12-M04S	
		M12-M05S	
		M12-M08S	
		M12-F03S	
		M12-F04S	
		M12-F05S	
		M12-F08S	
		M12P-M03T	
		M12P-M04T	
		M12P-M05T	
		M12P-M08T	



Data ,CAD,3D document please refer to: WWW.VELLEDQ.COM

M12 Connector Designation

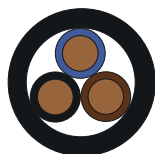
Field-wireable Screw terminals

Product drawing	Product size	Partnumber	Pins Assignment
 <div style="border: 1px solid orange; border-radius: 50%; padding: 2px; display: inline-block;">Shield</div>		M12P-F03T	
		M12P-F04T	
		M12P-F05T	
		M12P-F08T	
 <div style="border: 1px solid orange; border-radius: 50%; padding: 2px; display: inline-block;">Shield</div>		M12P-M03S	
		M12P-M04S	
		M12P-M05S	
		M12P-M08S	
 <div style="border: 1px solid orange; border-radius: 50%; padding: 2px; display: inline-block;">Shield</div>		M12P-F03S	
		M12P-F04S	
		M12P-F05S	
		M12P-F08S	

Specification and model	3core	4core	5core	8core
Rated voltage	250V AC/DC	250V AC/DC	125V AC/DC	60V AC/DC
Rated current	MAX.4A	MAX.4A	MAX.4A	MAX.4A
Line pressing range	MAX.0.75mm	MAX.0.75mm	MAX.0.75mm	MAX.0.5mm
ProtectionClass(IEC 60529)	IP65	IP65	IP65	IP65
Ambient temperature	-25~+85°C	-25~+85°C	-25~+85°C	-25~+85°C
Housing material	Flame retardant plastics	Flame retardant plastics	Flame retardant plastics	Flame retardant plastics

Length/Material Could be customized according to different environment ,like extrame temprature and acid/alkali

Optional cable



black/BK

Order model

Shield
PVC3C0.34P.BK
PUR3C0.34P.BK
TL3C0.34P.BK

Order model

Unshielded
PVC3C0.34.BK
PUR3C0.34.BK
TL3C0.34.BK



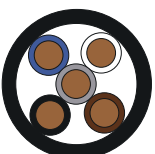
black/BK

Order model

Shield
PVC4C0.34P.BK
PUR4C0.34P.BK
TL4C0.34P.BK

Order model

Unshielded
PVC4C0.34.BK
PUR4C0.34.BK
TL4C0.34.BK



black/BK

Order model

Shield
PVC5C0.34P.BK
PUR5C0.34P.BK
TL5C0.34P.BK

Order model

Unshielded
PVC5C0.34.BK
PUR5C0.34.BK
TL5C0.34.BK



black/BK

Order model

S hield
PVC8C0.25P.BK
PUR8C0.25P.BK
TL8C0.25P.BK

Order model

Unshielded
PVC8C0.25.BK
PUR8C0.25.BK
TL8C0.25.BK



M12 Connector Designation

Front Mounting

Product drawing	Product size	Hole drawing	Partnumber	Pins Assignment			
			FLQ-M12-M03(M12)-HB				
			FLQ-M12-M03(PG9)-HB				
			FLQ-M12-M03(M16)-HB				
						FLQ-M12-M04(M12)-HB	
						FLQ-M12-M04(PG9)-HB	
						FLQ-M12-M04(M16)-HB	
			FLQ-M12-M05(M12)-HB				
			FLQ-M12-M05(PG9)-HB				
			FLQ-M12-M05(M16)-HB				
						FLQ-M12-M08(M12)-HB	
						FLQ-M12-M08(PG9)-HB	
						FLQ-M12-M08(M16)-HB	
			FLQ-M12-M12(M12)-HB				
			FLQ-M12-M12(PG9)-HB				
			FLQ-M12-M12(M16)-HB				
			FLQ-M12-F03(M12)-HB				
			FLQ-M12-F03(PG9)-HB				
			FLQ-M12-F03(M16)-HB				
						FLQ-M12-F04(M12)-HB	
						FLQ-M12-F04(PG9)-HB	
						FLQ-M12-F04(M16)-HB	
			FLQ-M12-F05(M12)-HB				
			FLQ-M12-F05(PG9)-HB				
			FLQ-M12-F05(M16)-HB				
						FLQ-M12-F08(M12)-HB	
						FLQ-M12-F08(PG9)-HB	
						FLQ-M12-F08(M16)-HB	



Data ,CAD,3D document please refer to: WWW.VELLEDQ.COM

M12 Connector Designation

Front Mounting

Product drawing	Product size	Hole drawing	Partnumber	Pins Assignment			
			FLH-M12-M03(M12)-HB				
			FLH-M12-M03(PG9)-HB				
			FLH-M12-M03(M16)-HB				
						FLH-M12-M04(M12)-HB	
						FLH-M12-M04(PG9)-HB	
						FLH-M12-M04(M16)-HB	
			FLH-M12-M04(M16)-HB				
			FLH-M12-M05(M12)-HB				
			FLH-M12-M05(PG9)-HB				
			FLH-M12-M05(M16)-HB				
						FLH-M12-M08(M12)-HB	
						FLH-M12-M08(PG9)-HB	
						FLH-M12-M08(M16)-HB	
			FLH-M12-M08(M16)-HB				
			FLH-M12-M12(M12)-HB				
			FLH-M12-M12(PG9)-HB				
			FLH-M12-M12(M16)-HB				
			FLH-M12-F03(PG9)-HB				
			FLH-M12-F03(M16)-HB				
						FLH-M12-F04(PG9)-HB	
						FLH-M12-F04(M16)-HB	
						FLH-M12-F05(PG9)-HB	
						FLH-M12-F05(M16)-HB	
			FLH-M12-F08(PG9)-HB				
			FLH-M12-F08(M16)-HB				
						FLH-M12-F08(PG9)-HB	
						FLH-M12-F08(M16)-HB	



M12 Connector Designation

Front Mounting

Product drawing	Product size	Hole drawing	Partnumber	Pins Assignment			
			FLQ-M12-M03(M12)-0.2				
			FLQ-M12-M03(M12)-0.3				
			FLQ-M12-M03(M12)-0.5				
			FLQ-M12-M03(PG9)-0.2				
			FLQ-M12-M03(PG9)-0.3				
			FLQ-M12-M03(PG9)-0.5				
			FLQ-M12-M03(M16)-0.2				
			FLQ-M12-M03(M16)-0.3				
			FLQ-M12-M03(M16)-0.5				
						FLQ-M12-M04(M12)-0.2	
						FLQ-M12-M04(M12)-0.3	
						FLQ-M12-M04(M12)-0.5	
FLQ-M12-M04(PG9)-0.2							
FLQ-M12-M04(PG9)-0.3							
FLQ-M12-M04(PG9)-0.5							
			FLQ-M12-M05(M12)-0.2				
			FLQ-M12-M05(M12)-0.3				
			FLQ-M12-M05(M12)-0.5				
			FLQ-M12-M05(PG9)-0.2				
			FLQ-M12-M05(PG9)-0.3				
						FLQ-M12-M05(PG9)-0.5	
						FLQ-M12-M05(M16)-0.2	
						FLQ-M12-M05(M16)-0.3	
						FLQ-M12-M05(M16)-0.5	
						FLQ-M12-M08(M12)-0.2	
						FLQ-M12-M08(M12)-0.3	
						FLQ-M12-M08(M12)-0.5	
			FLQ-M12-M08(PG9)-0.2				
			FLQ-M12-M08(PG9)-0.3				
			FLQ-M12-M08(PG9)-0.5				
			FLQ-M12-M08(M16)-0.2				
			FLQ-M12-M08(M16)-0.3				
			FLQ-M12-M08(M16)-0.5				
						FLQ-M12-M12(M12)-0.2	
						FLQ-M12-M12(M12)-0.3	
						FLQ-M12-M12(M12)-0.5	
						FLQ-M12-M12(PG9)-0.2	
						FLQ-M12-M12(PG9)-0.3	
						FLQ-M12-M12(PG9)-0.5	
			FLQ-M12-M12(M16)-0.2				
			FLQ-M12-M12(M16)-0.3				
			FLQ-M12-M12(M16)-0.5				
			FLQ-M12-M17(M12)-0.2				
			FLQ-M12-M17(M12)-0.3				
			FLQ-M12-M17(M12)-0.5				



Data ,CAD,3D document please refer to: WWW.VELLEDQ.COM

M12 Connector Sesignation

Front Mounting

Product drawing	Product size	Hole drawing	Partnumber	Pins Assignment						
			FLQ-M12-F03(M12)-0.2 FLQ-M12-F03(M12)-0.3 FLQ-M12-F03(M12)-0.5 FLQ-M12-F03(PG9)-0.2 FLQ-M12-F03(PG9)-0.3 FLQ-M12-F03(PG9)-0.5 FLQ-M12-F03(M16)-0.2 FLQ-M12-F03(M16)-0.3 FLQ-M12-F03(M16)-0.5							
			FLQ-M12-F04(M12)-0.2 FLQ-M12-F04(M12)-0.3 FLQ-M12-F04(M12)-0.5 FLQ-M12-F04(PG9)-0.2 FLQ-M12-F04(PG9)-0.3 FLQ-M12-F04(PG9)-0.5 FLQ-M12-F04(M16)-0.2 FLQ-M12-F04(M16)-0.3 FLQ-M12-F04(M16)-0.5							
						FLQ-M12-F05(M12)-0.2 FLQ-M12-F05(M12)-0.3 FLQ-M12-F05(M12)-0.5 FLQ-M12-F05(PG9)-0.2 FLQ-M12-F05(PG9)-0.3 FLQ-M12-F05(PG9)-0.5 FLQ-M12-F05(M16)-0.2 FLQ-M12-F05(M16)-0.3 FLQ-M12-F05(M16)-0.5				
						FLQ-M12-F08(M12)-0.2 FLQ-M12-F08(M12)-0.3 FLQ-M12-F08(M12)-0.5 FLQ-M12-F08(PG9)-0.2 FLQ-M12-F08(PG9)-0.3 FLQ-M12-F08(PG9)-0.5 FLQ-M12-F08(M16)-0.2 FLQ-M12-F08(M16)-0.3 FLQ-M12-F08(M16)-0.5				
									FLQ-M12-F12(M12)-0.2 FLQ-M12-F12(M12)-0.3 FLQ-M12-F12(M12)-0.5 FLQ-M12-F12(PG9)-0.2 FLQ-M12-F12(PG9)-0.3 FLQ-M12-F12(PG9)-0.5 FLQ-M12-F12(M16)-0.2 FLQ-M12-F12(M16)-0.3 FLQ-M12-F12(M16)-0.5	
									FLQ-M12-F17(M12)-0.2 FLQ-M12-F17(M12)-0.3 FLQ-M12-F17(M12)-0.5 FLQ-M12-F17(PG9)-0.2 FLQ-M12-F17(PG9)-0.3 FLQ-M12-F17(PG9)-0.5 FLQ-M12-F17(M16)-0.2 FLQ-M12-F17(M16)-0.3 FLQ-M12-F17(M16)-0.5	



M12 Connector Designation

Back Mounting

Product drawing	Product size Hole drawing	Partnumber	Pins Assignment
		FLH-M12-M03(M12)-0.2 FLH-M12-M03(M12)-0.3 FLH-M12-M03(M12)-0.5 FLH-M12-M03(PG9)-0.2 FLH-M12-M03(PG9)-0.3 FLH-M12-M03(PG9)-0.5 FLH-M12-M03(M16)-0.2 FLH-M12-M03(M16)-0.3 FLH-M12-M03(M16)-0.5	
		FLH-M12-M04(M12)-0.2 FLH-M12-M04(M12)-0.3 FLH-M12-M04(M12)-0.5 FLH-M12-M04(PG9)-0.2 FLH-M12-M04(PG9)-0.3 FLH-M12-M04(PG9)-0.5 FLH-M12-M04(M16)-0.2 FLH-M12-M04(M16)-0.3 FLH-M12-M04(M16)-0.5	
		FLH-M12-M05(M12)-0.2 FLH-M12-M05(M12)-0.3 FLH-M12-M05(M12)-0.5 FLH-M12-M05(PG9)-0.2 FLH-M12-M05(PG9)-0.3 FLH-M12-M05(PG9)-0.5 FLH-M12-M05(M16)-0.2 FLH-M12-M05(M16)-0.3 FLH-M12-M05(M16)-0.5	
		FLH-M12-M08(M12)-0.2 FLH-M12-M08(M12)-0.3 FLH-M12-M08(M12)-0.5 FLH-M12-M08(PG9)-0.2 FLH-M12-M08(PG9)-0.3 FLH-M12-M08(PG9)-0.5 FLH-M12-M08(M16)-0.2 FLH-M12-M08(M16)-0.3 FLH-M12-M08(M16)-0.5	
		FLH-M12-M12(M12)-0.2 FLH-M12-M12(M12)-0.3 FLH-M12-M12(M12)-0.5 FLH-M12-M12(PG9)-0.2 FLH-M12-M12(PG9)-0.3 FLH-M12-M12(PG9)-0.5 FLH-M12-M12(M16)-0.2 FLH-M12-M12(M16)-0.3 FLH-M12-M12(M16)-0.5	
		FLH-M12-M17(M12)-0.2 FLH-M12-M17(M12)-0.3 FLH-M12-M17(M12)-0.5 FLH-M12-M17(PG9)-0.2 FLH-M12-M17(PG9)-0.3 FLH-M12-M17(PG9)-0.5 FLH-M12-M17(M16)-0.2 FLH-M12-M17(M16)-0.3 FLH-M12-M17(M16)-0.5	



Data ,CAD,3D document please refer to: WWW.VELLEDQ.COM

M12 Connector Designation

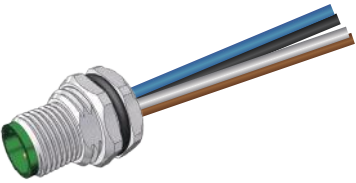
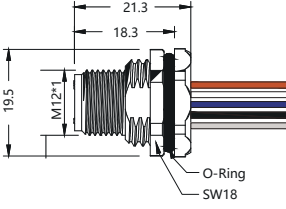
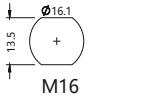
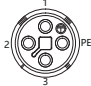
Back Mounting

Product drawing	Product size	Hole drawing	Partnumber	Pins Assignment						
			FLH-M12-F03(PG9)-0.2 FLH-M12-F03(PG9)-0.3 FLH-M12-F03(PG9)-0.5 FLH-M12-F03(M16)-0.2 FLH-M12-F03(M16)-0.3 FLH-M12-F03(M16)-0.5							
			FLH-M12-SF04(PG9)-0.2 FLH-M12-SF04(PG9)-0.3 FLH-M12-SF04(PG9)-0.5							
			FLH-M12-TF04(PG9)-0.2 FLH-M12-TF04(PG9)-0.3 FLH-M12-TF04(PG9)-0.5							
			FLH-M12-TF04(M16)-0.2 FLH-M12-TF04(M16)-0.3 FLH-M12-TF04(M16)-0.5							
			FLH-M12-F04(PG9)-0.2 FLH-M12-F04(PG9)-0.3 FLH-M12-F04(PG9)-0.5 FLH-M12-F04(M16)-0.2 FLH-M12-F04(M16)-0.3 FLH-M12-F04(M16)-0.5							
						FLH-M12-F05(PG9)-0.2 FLH-M12-F05(PG9)-0.3 FLH-M12-F05(PG9)-0.5 FLH-M12-F05(M16)-0.2 FLH-M12-F05(M16)-0.3 FLH-M12-F05(M16)-0.5				
						FLH-M12-F08(PG9)-0.2 FLH-M12-F08(PG9)-0.3 FLH-M12-F08(PG9)-0.5 FLH-M12-F08(M16)-0.2 FLH-M12-F08(M16)-0.3 FLH-M12-F08(M16)-0.5				
									FLH-M12-F12(PG9)-0.2 FLH-M12-F12(PG9)-0.3 FLH-M12-F12(PG9)-0.5 FLH-M12-F12(M16)-0.2 FLH-M12-F12(M16)-0.3 FLH-M12-F12(M16)-0.5	
									FLH-M12-F17(PG9)-0.2 FLH-M12-F17(PG9)-0.3 FLH-M12-F17(PG9)-0.5 FLH-M12-F17(M16)-0.2 FLH-M12-F17(M16)-0.3 FLH-M12-F17(M16)-0.5	


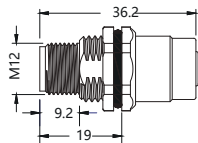
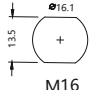
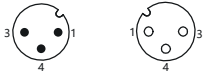
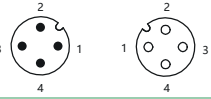

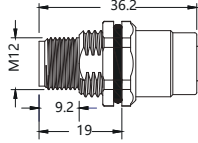
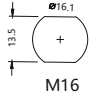
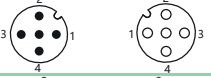
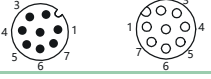


M12 Connector Designation

Back Mounting

Product drawing	Product size	Hole drawing	Partnumber	Pins Assignment
			FLH-M12-TM04(M16)-0.2 FLH-M12-TM04(M16)-0.3 FLH-M12-TM04(M16)-0.5	

Two-way flange

Product drawing	Product size	Hole drawing	Specification and model	Hole location definition
			FL-M12-M03/F03(M16)	
			FL-M12-M04/F04(M16)	
			FL-M12-M05/F05(M16)	
			FL-M12-M08/F08(M16)	

Rated voltage	125V AC/DC	60V AC/DC
Rated current	MAX.4A	
ProtectionClass(IEC 60529)	IP67	
Ambient temperature	-25~+85°C	



Data ,CAD,3D document please refer to: WWW.VELLEDQ.COM

M12 Connector Designation

Y-type connector

Product drawing	Product size	Circuit & PN	Circuit & PN	Pin Assignment & PN
		<p>Y-M12-F05/M05/F05B</p>	<p>Y-M12-F04/M04/F04B</p>	<p>Y-M12-F04/M04/F04B Y-12-F05/M05/F05B</p>
		<p>Y-M12-F05/M04/F04C Y-M12-F04/M03/F03C</p>	<p>Y-M12-F05/M05/F05A Y-M12-F04/M04/F04A</p>	<p>Y-M12-F05/M04/F04C Y-M12-F05/M05/F05A Y-M12-F04/M04/F04A</p>
		<p>Y-M12-M04/M8-2F03C</p>	<p>Y-M12-M04/M8-2F04A</p>	<p>Y-M12-M04/M8-2F03C Y-M12-M04/M8-2F04A</p>
		<p>Y-M12-M04/M08-2F04B</p>		<p>Y-M12-M04/M08-2F04B</p>
		<p>Y-M12-M05/2F04C</p>	<p>Y-M12-M05/2F05B Y-M12-M04/2F04B</p>	<p>Y-M12-M05/2F04C Y-M12-M05/2F05B Y-M12-M04/2F04B</p>
		<p>Y-M12-M05/2F05D Y-M12-M04/2F04D</p>	<p>Y-M12-M05/2F05A Y-M12-M04/2F04A</p>	<p>Y-M12-M05/2F05D Y-M12-M05/2F05A Y-M12-M04/2F04A</p>

Rated voltage 60V AC/DC

Rated current MAX.4A

ProtectionClass(IEC 60529) IP67

A mbient temperature -25~+85°C



M12 Connector Harness



With Open End

Product drawing	Product size	Pin Assignment

Material and Length		Male head3core	Male head4core	Male head5core	Male head8core	Common spare parts
PVC	black3m	M12-M03T-3.0PVC/BK	M12-M04T-3.0PVC/BK	M12-M05T-3.0PVC/BK	M12-M08T-3.0PVC/BK	
PVC	black5m	M12-M03T-5.0PVC/BK	M12-M04T-5.0PVC/BK	M12-M05T-5.0PVC/BK	M12-M08T-5.0PVC/BK	
PVC	black10m	M12-M03T-10.0PVC/BK	M12-M04T-10.0PVC/BK	M12-M05T-10.0PVC/BK	M12-M08T-10.0PVC/BK	
PUR	black3m	M12-M03T-3.0PUR/BK	M12-M04T-3.0PUR/BK	M12-M05T-3.0PUR/BK	M12-M08T-3.0PUR/BK	
PUR	black5m	M12-M03T-5.0PUR/BK	M12-M04T-5.0PUR/BK	M12-M05T-5.0PUR/BK	M12-M08T-5.0PUR/BK	
PUR	black10m	M12-M03T-10.0PUR/BK	M12-M04T-10.0PUR/BK	M12-M05T-10.0PUR/BK	M12-M08T-10.0PUR/BK	
DragChain	black3m	M12-M03T-3.0TL/BK	M12-M04T-3.0TL/BK	M12-M05T-3.0TL/BK	M12-M08T-3.0TL/BK	
DragChain	black5m	M12-M03T-5.0TL/BK	M12-M04T-5.0TL/BK	M12-M05T-5.0TL/BK	M12-M08T-5.0TL/BK	
DragChain	black10m	M12-M03T-10.0TL/BK	M12-M04T-10.0TL/BK	M12-M05T-10.0TL/BK	M12-M08T-10.0TL/BK	
Anti-Welding	orange3m	M12-M03T-3.0FH/OG	M12-M04T-3.0FH/OG	M12-M05T-3.0FH/OG	M12-M08T-3.0FH/OG	
Anti-Welding	orange5m	M12-M03T-5.0FH/OG	M12-M04T-5.0FH/OG	M12-M05T-5.0FH/OG	M12-M08T-5.0FH/OG	
Anti-Welding	orange10m	M12-M03T-10.0FH/OG	M12-M04T-10.0FH/OG	M12-M05T-10.0FH/OG	M12-M08T-10.0FH/OG	
Grey cable	GY	Rated voltage:250 V AC/DC		Rated voltage:125 V AC/DC	Rated voltage:60 V AC/DC	
Material and Length		Male head12core		Male head17core		
PVC	black3m	M12-M12T-3.0PVC/BK		M12-M17T-3.0PVC/BK		
PVC	black5m	M12-M12T-5.0PVC/BK		M12-M17T-5.0PVC/BK		
PVC	black10m	M12-M12T-10.0PVC/BK		M12-M17T-10.0PVC/BK		
PUR	black3m	M12-M12T-3.0PUR/BK		M12-M17T-3.0PUR/BK		
PUR	black5m	M12-M12T-5.0PUR/BK		M12-M17T-5.0PUR/BK		
PUR	black10m	M12-M12T-10.0PUR/BK		M12-M17T-10.0PUR/BK		
DragChain	black3m	M12-M12T-3.0TL/BK		M12-M17T-3.0TL/BK		
DragChain	black5m	M12-M12T-5.0TL/BK		M12-M17T-5.0TL/BK		
DragChain	black10m	M12-M12T-10.0TL/BK		M12-M17T-10.0TL/BK		
Grey cable	GY	Rated voltage:30V AC/DC		Rated voltage:30 V AC/DC		

With Open End

Product drawing	Product size	Pin Assignment

Material and Length		Female head3core	Female head4core	Female head5core	Female head8core	Common spare parts
PVC	black3m	M12-F03T-3.0PVC/BK	M12-F04T-3.0PVC/BK	M12-F05T-3.0PVC/BK	M12-F08T-3.0PVC/BK	
PVC	black5m	M12-F03T-5.0PVC/BK	M12-F04T-5.0PVC/BK	M12-F05T-5.0PVC/BK	M12-F08T-5.0PVC/BK	
PVC	black10m	M12-F03T-10.0PVC/BK	M12-F04T-10.0PVC/BK	M12-F05T-10.0PVC/BK	M12-F08T-10.0PVC/BK	
PUR	black3m	M12-F03T-3.0PUR/BK	M12-F04T-3.0PUR/BK	M12-F05T-3.0PUR/BK	M12-F08T-3.0PUR/BK	
PUR	black5m	M12-F03T-5.0PUR/BK	M12-F04T-5.0PUR/BK	M12-F05T-5.0PUR/BK	M12-F08T-5.0PUR/BK	
PUR	black10m	M12-F03T-10.0PUR/BK	M12-F04T-10.0PUR/BK	M12-F05T-10.0PUR/BK	M12-F08T-10.0PUR/BK	
DragChain	black3m	M12-F03T-3.0TL/BK	M12-F04T-3.0TL/BK	M12-F05T-3.0TL/BK	M12-F08T-3.0TL/BK	
DragChain	black5m	M12-F03T-5.0TL/BK	M12-F04T-5.0TL/BK	M12-F05T-5.0TL/BK	M12-F08T-5.0TL/BK	
DragChain	black10m	M12-F03T-10.0TL/BK	M12-F04T-10.0TL/BK	M12-F05T-10.0TL/BK	M12-F08T-10.0TL/BK	
Anti-Welding	orange3m	M12-F03T-3.0FH/OG	M12-F04T-3.0FH/OG	M12-F05T-3.0FH/OG	M12-F08T-3.0FH/OG	
Anti-Welding	orange5m	M12-F03T-5.0FH/OG	M12-F04T-5.0FH/OG	M12-F05T-5.0FH/OG	M12-F08T-5.0FH/OG	
Anti-Welding	orange10m	M12-F03T-10.0FH/OG	M12-F04T-10.0FH/OG	M12-F05T-10.0FH/OG	M12-F08T-10.0FH/OG	
Grey cable	GY	Rated voltage:250 V AC/DC		Rated voltage:125 V AC/DC	Rated voltage:60 V AC/DC	
Material and Length		Female head12core		Female head17core		
PVC	black3m	M12-F12T-3.0PVC/BK		M12-F17T-3.0PVC/BK		
PVC	black5m	M12-F12T-5.0PVC/BK		M12-F17T-5.0PVC/BK		
PVC	black10m	M12-F12T-10.0PVC/BK		M12-F17T-10.0PVC/BK		
PUR	black3m	M12-F12T-3.0PUR/BK		M12-F17T-3.0PUR/BK		
PUR	black5m	M12-F12T-5.0PUR/BK		M12-F17T-5.0PUR/BK		
PUR	black10m	M12-F12T-10.0PUR/BK		M12-F17T-10.0PUR/BK		
DragChain	black3m	M12-F12T-3.0TL/BK		M12-F17T-3.0TL/BK		
DragChain	black5m	M12-F12T-5.0TL/BK		M12-F17T-5.0TL/BK		
DragChain	black10m	M12-F12T-10.0TL/BK		M12-F17T-10.0TL/BK		
Grey cable	GY	Rated voltage:30V AC/DC		Rated voltage:30 V AC/DC		



M12 Connector Harness

With Open End

Product drawing	Product size	Pin Assignment

Material and Length		Male head3core	Male head4core	Male head5core	Male head8core	Common spare parts
PVC	black3m	M12-M03S-3.0PVC/BK	M12-M04S-3.0PVC/BK	M12-M05S-3.0PVC/BK	M12-M08S-3.0PVC/BK	
PVC	black5m	M12-M03S-5.0PVC/BK	M12-M04S-5.0PVC/BK	M12-M05S-5.0PVC/BK	M12-M08S-5.0PVC/BK	
PVC	black10m	M12-M03S-10.0PVC/BK	M12-M04S-10.0PVC/BK	M12-M05S-10.0PVC/BK	M12-M08S-10.0PVC/BK	
PUR	black3m	M12-M03S-3.0PUR/BK	M12-M04S-3.0PUR/BK	M12-M05S-3.0PUR/BK	M12-M08S-3.0PUR/BK	
PUR	black5m	M12-M03S-5.0PUR/BK	M12-M04S-5.0PUR/BK	M12-M05S-5.0PUR/BK	M12-M08S-5.0PUR/BK	
PUR	black10m	M12-M03S-10.0PUR/BK	M12-M04S-10.0PUR/BK	M12-M05S-10.0PUR/BK	M12-M08S-10.0PUR/BK	
DragChain	black3m	M12-M03S-3.0TL/BK	M12-M04S-3.0TL/BK	M12-M05S-3.0TL/BK	M12-M08S-3.0TL/BK	
DragChain	black5m	M12-M03S-5.0TL/BK	M12-M04S-5.0TL/BK	M12-M05S-5.0TL/BK	M12-M08S-5.0TL/BK	
DragChain	black10m	M12-M03S-10.0TL/BK	M12-M04S-10.0TL/BK	M12-M05S-10.0TL/BK	M12-M08S-10.0TL/BK	
Anti-Welding	orange3m	M12-M03S-3.0FH/OG	M12-M04S-3.0FH/OG	M12-M05S-3.0FH/OG	M12-M08S-3.0FH/OG	
Anti-Welding	orange5m	M12-M03S-5.0FH/OG	M12-M04S-5.0FH/OG	M12-M05S-5.0FH/OG	M12-M08S-5.0FH/OG	
Anti-Welding	orange10m	M12-M03S-10.0FH/OG	M12-M04S-10.0FH/OG	M12-M05S-10.0FH/OG	M12-M08S-10.0FH/OG	
Grey cable	GY	Rated voltage:250 V AC/DC		Rated voltage:125 V AC/DC	Rated voltage:60 V AC/DC	
Material and Length		Male head12core	Male head17core			
PVC	black3m	M12-M12S-3.0PVC/BK	M12-M17S-3.0PVC/BK			
PVC	black5m	M12-M12S-5.0PVC/BK	M12-M17S-5.0PVC/BK			
PVC	black10m	M12-M12S-10.0PVC/BK	M12-M17S-10.0PVC/BK			
PUR	black3m	M12-M12S-3.0PUR/BK	M12-M17S-3.0PUR/BK			
PUR	black5m	M12-M12S-5.0PUR/BK	M12-M17S-5.0PUR/BK			
PUR	black10m	M12-M12S-10.0PUR/BK	M12-M17S-10.0PUR/BK			
DragChain	black3m	M12-M12S-3.0TL/BK	M12-M17S-3.0TL/BK			
DragChain	black5m	M12-M12S-5.0TL/BK	M12-M17S-5.0TL/BK			
DragChain	black10m	M12-M12S-10.0TL/BK	M12-M17S-10.0TL/BK			
Grey cable	GY	Rated voltage:30V AC/DC		Rated voltage:30 V AC/DC		

With Open End

Product drawing	Product size	Pin Assignment

Material and Length		Female head3core	Female head4core	Female head5core	Female head8core	Common spare parts
PVC	black3m	M12-F03S-3.0PVC/BK	M12-F04S-3.0PVC/BK	M12-F05S-3.0PVC/BK	M12-F08S-3.0PVC/BK	
PVC	black5m	M12-F03S-5.0PVC/BK	M12-F04S-5.0PVC/BK	M12-F05S-5.0PVC/BK	M12-F08S-5.0PVC/BK	
PVC	black10m	M12-F03S-10.0PVC/BK	M12-F04S-10.0PVC/BK	M12-F05S-10.0PVC/BK	M12-F08S-10.0PVC/BK	
PUR	black3m	M12-F03S-3.0PUR/BK	M12-F04S-3.0PUR/BK	M12-F05S-3.0PUR/BK	M12-F08S-3.0PUR/BK	
PUR	black5m	M12-F03S-5.0PUR/BK	M12-F04S-5.0PUR/BK	M12-F05S-5.0PUR/BK	M12-F08S-5.0PUR/BK	
PUR	black10m	M12-F03S-10.0PUR/BK	M12-F04S-10.0PUR/BK	M12-F05S-10.0PUR/BK	M12-F08S-10.0PUR/BK	
DragChain	black3m	M12-F03S-3.0TL/BK	M12-F04S-3.0TL/BK	M12-F05S-3.0TL/BK	M12-F08S-3.0TL/BK	
DragChain	black5m	M12-F03S-5.0TL/BK	M12-F04S-5.0TL/BK	M12-F05S-5.0TL/BK	M12-F08S-5.0TL/BK	
DragChain	black10m	M12-F03S-10.0TL/BK	M12-F04S-10.0TL/BK	M12-F05S-10.0TL/BK	M12-F08S-10.0TL/BK	
Anti-Welding	orange3m	M12-F03S-3.0FH/OG	M12-F04S-3.0FH/OG	M12-F05S-3.0FH/OG	M12-F08S-3.0FH/OG	
Anti-Welding	orange5m	M12-F03S-5.0FH/OG	M12-F04S-5.0FH/OG	M12-F05S-5.0FH/OG	M12-F08S-5.0FH/OG	
Anti-Welding	orange10m	M12-F03S-10.0FH/OG	M12-F04S-10.0FH/OG	M12-F05S-10.0FH/OG	M12-F08S-10.0FH/OG	
Grey cable	GY	Rated voltage:250 V AC/DC		Rated voltage:125 V AC/DC	Rated voltage:60 V AC/DC	
Material and Length		Female head12core	Female head17core			
PVC	black3m	M12-F12S-3.0PVC/BK	M12-F17S-3.0PVC/BK			
PVC	black5m	M12-F12S-5.0PVC/BK	M12-F17S-5.0PVC/BK			
PVC	black10m	M12-F12S-10.0PVC/BK	M12-F17S-10.0PVC/BK			
PUR	black3m	M12-F12S-3.0PUR/BK	M12-F17S-3.0PUR/BK			
PUR	black5m	M12-F12S-5.0PUR/BK	M12-F17S-5.0PUR/BK			
PUR	black10m	M12-F12S-10.0PUR/BK	M12-F17S-10.0PUR/BK			
DragChain	black3m	M12-F12S-3.0TL/BK	M12-F17S-3.0TL/BK			
DragChain	black5m	M12-F12S-5.0TL/BK	M12-F17S-5.0TL/BK			
DragChain	black10m	M12-F12S-10.0TL/BK	M12-F17S-10.0TL/BK			
Grey cable	GY	Rated voltage:30V AC/DC		Rated voltage:30 V AC/DC		



Data ,CAD,3D document please refer to: WWW.VELLEDQ.COM

M12 Connector Harness



With Open End

Product drawing	Product size	Pin Assignment

Material and Length	4core	4core	4core	4core
PVC black3m	M12-TF04S-3.0PVC/BK	M12-SF04S-3.0PVC/BK	M12-SF04T-3.0PVC/BK	M12-TF04T-3.0PVC/BK
PVC black5m	M12-TF04S-5.0PVC/BK	M12-SF04S-5.0PVC/BK	M12-SF04T-5.0PVC/BK	M12-TF04T-5.0PVC/BK
PVC black10m	M12-TF04S-10.0PVC/BK	M12-SF04S-10.0PVC/BK	M12-SF04T-10.0PVC/BK	M12-TF04T-10.0PVC/BK
PUR black3m	M12-TF04S-3.0PUR/BK	M12-SF04S-3.0PUR/BK	M12-SF04T-3.0PUR/BK	M12-TF04T-3.0PUR/BK
PUR black5m	M12-TF04S-5.0PUR/BK	M12-SF04S-5.0PUR/BK	M12-SF04T-5.0PUR/BK	M12-TF04T-5.0PUR/BK
PUR black10m	M12-TF04S-10.0PUR/BK	M12-SF04S-10.0PUR/BK	M12-SF04T-10.0PUR/BK	M12-TF04T-10.0PUR/BK
DragChain black3m	M12-TF04S-3.0TL/BK	M12-SF04S-3.0TL/BK	M12-SF04T-3.0TL/BK	M12-TF04T-3.0TL/BK
DragChain black5m	M12-TF04S-5.0TL/BK	M12-SF04S-5.0TL/BK	M12-SF04T-5.0TL/BK	M12-TF04T-5.0TL/BK
DragChain black10m	M12-TF04S-10.0TL/BK	M12-SF04S-10.0TL/BK	M12-SF04T-10.0TL/BK	M12-TF04T-10.0TL/BK
Anti-Welding orange3m	M12-TF04S-3.0FH/OG	M12-SF04S-3.0FH/OG	M12-SF04T-3.0FH/OG	M12-TF04T-3.0FH/OG
Anti-Welding orange5m	M12-TF04S-5.0FH/OG	M12-SF04S-5.0FH/OG	M12-SF04T-5.0FH/OG	M12-TF04T-5.0FH/OG
Anti-Welding orange10m	M12-TF04S-10.0FH/OG	M12-SF04S-10.0FH/OG	M12-SF04T-10.0FH/OG	M12-TF04T-10.0FH/OG
Grey cable	GY			

Length/Material Could be customized according to different enviroment ,like extrame temperture and acid/alkali

Rated voltage	630 V AC/DC
Rated current	Max 10A
Cable specification	4G1.5mm ²
ProtectionClass(IEC 60529)	IP65~IP67
Ambient temperature	-25 ... + 85°C, Depends on cable quality

With Open End

Product drawing	Product size	Pin Assignment

Material and Length	4core	4core	4core	4core
PVC black3m	M12-TM04S-3.0PVC/BK	M12-SM04S-3.0PVC/BK	M12-TM04T-3.0PVC/BK	M12-SM04T-3.0PVC/BK
PVC black5m	M12-TM04S-5.0PVC/BK	M12-SM04S-5.0PVC/BK	M12-TM04T-5.0PVC/BK	M12-SM04T-5.0PVC/BK
PVC black10m	M12-TM04S-10.0PVC/BK	M12-SM04S-10.0PVC/BK	M12-TM04T-10.0PVC/BK	M12-SM04T-10.0PVC/BK
PUR black3m	M12-TM04S-3.0PUR/BK	M12-SM04S-3.0PUR/BK	M12-TM04T-3.0PUR/BK	M12-SM04T-3.0PUR/BK
PUR black5m	M12-TM04S-5.0PUR/BK	M12-SM04S-5.0PUR/BK	M12-TM04T-5.0PUR/BK	M12-SM04T-5.0PUR/BK
PUR black10m	M12-TM04S-10.0PUR/BK	M12-SM04S-10.0PUR/BK	M12-TM04T-10.0PUR/BK	M12-SM04T-10.0PUR/BK
DragChain black3m	M12-TM04S-3.0TL/BK	M12-SM04S-3.0TL/BK	M12-TM04T-3.0TL/BK	M12-SM04T-3.0TL/BK
DragChain black5m	M12-TM04S-5.0TL/BK	M12-SM04S-5.0TL/BK	M12-TM04T-5.0TL/BK	M12-SM04T-5.0TL/BK
DragChain black10m	M12-TM04S-10.0TL/BK	M12-SM04S-10.0TL/BK	M12-TM04T-10.0TL/BK	M12-SM04T-10.0TL/BK
Anti-Welding orange3m	M12-TM04S-3.0FH/OG	M12-SM04S-3.0FH/OG	M12-TM04T-3.0FH/OG	M12-SM04T-3.0FH/OG
Anti-Welding orange5m	M12-TM04S-5.0FH/OG	M12-SM04S-5.0FH/OG	M12-TM04T-5.0FH/OG	M12-SM04T-5.0FH/OG
Anti-Welding orange10m	M12-TM04S-10.0FH/OG	M12-SM04S-10.0FH/OG	M12-TM04T-10.0FH/OG	M12-SM04T-10.0FH/OG
Grey cable	GY			

Length/Material Could be customized according to different enviroment ,like extrame temperture and acid/alkali

Rated voltage	630 V AC/DC
Rated current	Max 10A
Cable specification	4G1.5mm ²
ProtectionClass(IEC 60529)	IP65~IP67
Ambient temperature	-25 ... + 85°C, Depends on cable quality



M12 Connector Harness

With Open End



Product drawing	Product size	Pin Assignment

Material and Length	Female head3core	Female head 4core	Female head4core	Female head5core
PVC black3m	M12-F03T-LED-3.0PVC/BK	M12-F04T-LED-3.0PVC/BK	M12-F04T-3LED-3.0PVC/BK	M12-F05T-LED-3.0PVC/BK
PVC black5m	M12-F03T-LED-5.0PVC/BK	M12-F04T-LED-5.0PVC/BK	M12-F04T-3LED-5.0PVC/BK	M12-F05T-LED-5.0PVC/BK
PVC black10m	M12-F03T-LED-10.0PVC/BK	M12-F04T-LED-10.0PVC/BK	M12-F04T-3LED-10.0PVC/BK	M12-F05T-LED-10.0PVC/BK
PUR black3m	M12-F03T-LED-3.0PUR/BK	M12-F04T-LED-3.0PUR/BK	M12-F04T-3LED-3.0PUR/BK	M12-F05T-LED-3.0PUR/BK
PUR black5m	M12-F03T-LED-5.0PUR/BK	M12-F04T-LED-5.0PUR/BK	M12-F04T-3LED-5.0PUR/BK	M12-F05T-LED-5.0PUR/BK
PUR black10m	M12-F03T-LED-10.0PUR/BK	M12-F04T-LED-10.0PUR/BK	M12-F04T-3LED-10.0PUR/BK	M12-F05T-LED-10.0PUR/BK
DragChain black3m	M12-F03T-LED-3.0TL/BK	M12-F04T-LED-3.0TL/BK	M12-F04T-3LED-3.0TL/BK	M12-F05T-LED-3.0TL/BK
DragChain black5m	M12-F03T-LED-5.0TL/BK	M12-F04T-LED-5.0TL/BK	M12-F04T-3LED-5.0TL/BK	M12-F05T-LED-5.0TL/BK
DragChain black10m	M12-F03T-LED-10.0TL/BK	M12-F04T-LED-10.0TL/BK	M12-F04T-3LED-10.0TL/BK	M12-F05T-LED-10.0TL/BK
Anti-Welding orange3m	M12-F03T-LED-3.0FH/OG	M12-F04T-LED-3.0FH/OG	M12-F04T-3LED-3.0FH/OG	M12-F05T-LED-3.0FH/OG
Anti-Welding orange5m	M12-F03T-LED-5.0FH/OG	M12-F04T-LED-5.0FH/OG	M12-F04T-3LED-5.0FH/OG	M12-F05T-LED-5.0FH/OG
Anti-Welding orange10m	M12-F03T-LED-10.0FH/OG	M12-F04T-LED-10.0FH/OG	M12-F04T-3LED-10.0FH/OG	M12-F05T-LED-10.0FH/OG
Grey cable	GY			

Length/Material Could be customized according to different environment ,like extreme temperature and acid/alkali

Rated voltage	24 V DC±25%
Cable specification	N*0.34mm ²
ProtectionClass(IEC 60529)	IP67
Ambient temperature	-25~+85°C

With Open End



Product drawing	Product size	Pin Assignment

Material and Length	Female head3core	Female head4core	Female head4core	Female head5core
PVC black3m	M12-F03S-LED-3.0PVC/BK	M12-F04S-LED-3.0PVC/BK	M12-F04S-3LED-3.0PVC/BK	M12-F05S-LED-3.0PVC/BK
PVC black5m	M12-F03S-LED-5.0PVC/BK	M12-F04S-LED-5.0PVC/BK	M12-F04S-3LED-5.0PVC/BK	M12-F05S-LED-5.0PVC/BK
PVC black10m	M12-F03S-LED-10.0PVC/BK	M12-F04S-LED-10.0PVC/BK	M12-F04S-3LED-10.0PVC/BK	M12-F05S-LED-10.0PVC/BK
PUR black3m	M12-F03S-LED-3.0PUR/BK	M12-F04S-LED-3.0PUR/BK	M12-F04S-3LED-3.0PUR/BK	M12-F05S-LED-3.0PUR/BK
PUR black5m	M12-F03S-LED-5.0PUR/BK	M12-F04S-LED-5.0PUR/BK	M12-F04S-3LED-5.0PUR/BK	M12-F05S-LED-5.0PUR/BK
PUR black10m	M12-F03S-LED-10.0PUR/BK	M12-F04S-LED-10.0PUR/BK	M12-F04S-3LED-10.0PUR/BK	M12-F05S-LED-10.0PUR/BK
DragChain black3m	M12-F03S-LED-3.0TL/BK	M12-F04S-LED-3.0TL/BK	M12-F04S-3LED-3.0TL/BK	M12-F05S-LED-3.0TL/BK
DragChain black5m	M12-F03S-LED-5.0TL/BK	M12-F04S-LED-5.0TL/BK	M12-F04S-3LED-5.0TL/BK	M12-F05S-LED-5.0TL/BK
DragChain black10m	M12-F03S-LED-10.0TL/BK	M12-F04S-LED-10.0TL/BK	M12-F04S-3LED-10.0TL/BK	M12-F05S-LED-10.0TL/BK
Anti-Welding orange3m	M12-F03S-LED-3.0FH/OG	M12-F04S-LED-3.0FH/OG	M12-F04S-3LED-3.0FH/OG	M12-F05S-LED-3.0FH/OG
Anti-Welding orange5m	M12-F03S-LED-5.0FH/OG	M12-F04S-LED-5.0FH/OG	M12-F04S-3LED-5.0FH/OG	M12-F05S-LED-5.0FH/OG
Anti-Welding orange10m	M12-F03S-LED-10.0FH/OG	M12-F04S-LED-10.0FH/OG	M12-F04S-3LED-10.0FH/OG	M12-F05S-LED-10.0FH/OG
Grey cable	GY			

Length/Material Could be customized according to different environment ,like extreme temperature and acid/alkali

Rated voltage	24 V DC±25%
Cable specification	N*0.34mm ²
ProtectionClass(IEC 60529)	IP67
Ambient temperature	-25~+85°C



Data ,CAD,3D document please refer to: WWW.VELLEDQ.COM

M12 Connector Harness

With Open End



Product drawing	Product size	Pin Assignment

Material and Length		Male head3core	Male head4core	Male head5core	Male head8core	Common spare parts
PVC	black3m	M12P-M03T-3.0PVC/BK	M12P-M04T-3.0PVC/BK	M12P-M05T-3.0PVC/BK	M12P-M08T-3.0PVC/BK	
PVC	black5m	M12P-M03T-5.0PVC/BK	M12P-M04T-5.0PVC/BK	M12P-M05T-5.0PVC/BK	M12P-M08T-5.0PVC/BK	
PVC	black10m	M12P-M03T-10.0PVC/BK	M12P-M04T-10.0PVC/BK	M12P-M05T-10.0PVC/BK	M12P-M08T-10.0PVC/BK	
PUR	black3m	M12P-M03T-3.0PUR/BK	M12P-M04T-3.0PUR/BK	M12P-M05T-3.0PUR/BK	M12P-M08T-3.0PUR/BK	
PUR	black5m	M12P-M03T-5.0PUR/BK	M12P-M04T-5.0PUR/BK	M12P-M05T-5.0PUR/BK	M12P-M08T-5.0PUR/BK	
PUR	black10m	M12P-M03T-10.0PUR/BK	M12P-M04T-10.0PUR/BK	M12P-M05T-10.0PUR/BK	M12P-M08T-10.0PUR/BK	
DragChain	black3m	M12P-M03T-3.0TL/BK	M12P-M04T-3.0TL/BK	M12P-M05T-3.0TL/BK	M12P-M08T-3.0TL/BK	
DragChain	black5m	M12P-M03T-5.0TL/BK	M12P-M04T-5.0TL/BK	M12P-M05T-5.0TL/BK	M12P-M08T-5.0TL/BK	
DragChain	black10m	M12P-M03T-10.0TL/BK	M12P-M04T-10.0TL/BK	M12P-M05T-10.0TL/BK	M12P-M08T-10.0TL/BK	
Anti-Welding	orange3m	M12P-M03T-3.0FH/OG	M12P-M04T-3.0FH/OG	M12P-M05T-3.0FH/OG	M12P-M08T-3.0FH/OG	
Anti-Welding	orange5m	M12P-M03T-5.0FH/OG	M12P-M04T-5.0FH/OG	M12P-M05T-5.0FH/OG	M12P-M08T-5.0FH/OG	
Anti-Welding	orange10m	M12P-M03T-10.0FH/OG	M12P-M04T-10.0FH/OG	M12P-M05T-10.0FH/OG	M12P-M08T-10.0FH/OG	
Grey cable	GY	Rated voltage:250 V AC/DC		Rated voltage:125 V AC/DC	Rated voltage:60 V AC/DC	

Material and Length		Male head12core	Male head17core
PVC	black3m	M12P-M12T-3.0PVC/BK	M12P-M17T-3.0PVC/BK
PVC	black5m	M12P-M12T-5.0PVC/BK	M12P-M17T-5.0PVC/BK
PVC	black10m	M12P-M12T-10.0PVC/BK	M12P-M17T-10.0PVC/BK
PUR	black3m	M12P-M12T-3.0PUR/BK	M12P-M17T-3.0PUR/BK
PUR	black5m	M12P-M12T-5.0PUR/BK	M12P-M17T-5.0PUR/BK
PUR	black10m	M12P-M12T-10.0PUR/BK	M12P-M17T-10.0PUR/BK
DragChain	black3m	M12P-M12T-3.0TL/BK	M12P-M17T-3.0TL/BK
DragChain	black5m	M12P-M12T-5.0TL/BK	M12P-M17T-5.0TL/BK
DragChain	black10m	M12P-M12T-10.0TL/BK	M12P-M17T-10.0TL/BK
Grey cable	GY	Rated voltage:30V AC/DC	Rated voltage:30 V AC/DC

With Open End



Product drawing	Product size	Pin Assignment

Material and Length		Female head3core	Female head4core	Female head5core	Female head8core	Common spare parts
PVC	black3m	M12P-F03T-3.0PVC/BK	M12P-F04T-3.0PVC/BK	M12P-F05T-3.0PVC/BK	M12P-F08T-3.0PVC/BK	
PVC	black5m	M12P-F03T-5.0PVC/BK	M12P-F04T-5.0PVC/BK	M12P-F05T-5.0PVC/BK	M12P-F08T-5.0PVC/BK	
PVC	black10m	M12P-F03T-10.0PVC/BK	M12P-F04T-10.0PVC/BK	M12P-F05T-10.0PVC/BK	M12P-F08T-10.0PVC/BK	
PUR	black3m	M12P-F03T-3.0PUR/BK	M12P-F04T-3.0PUR/BK	M12P-F05T-3.0PUR/BK	M12P-F08T-3.0PUR/BK	
PUR	black5m	M12P-F03T-5.0PUR/BK	M12P-F04T-5.0PUR/BK	M12P-F05T-5.0PUR/BK	M12P-F08T-5.0PUR/BK	
PUR	black10m	M12P-F03T-10.0PUR/BK	M12P-F04T-10.0PUR/BK	M12P-F05T-10.0PUR/BK	M12P-F08T-10.0PUR/BK	
DragChain	black3m	M12P-F03T-3.0TL/BK	M12P-F04T-3.0TL/BK	M12P-F05T-3.0TL/BK	M12P-F08T-3.0TL/BK	
DragChain	black5m	M12P-F03T-5.0TL/BK	M12P-F04T-5.0TL/BK	M12P-F05T-5.0TL/BK	M12P-F08T-5.0TL/BK	
DragChain	black10m	M12P-F03T-10.0TL/BK	M12P-F04T-10.0TL/BK	M12P-F05T-10.0TL/BK	M12P-F08T-10.0TL/BK	
Anti-Welding	orange3m	M12P-F03T-3.0FH/OG	M12P-F04T-3.0FH/OG	M12P-F05T-3.0FH/OG	M12P-F08T-3.0FH/OG	
Anti-Welding	orange5m	M12P-F03T-5.0FH/OG	M12P-F04T-5.0FH/OG	M12P-F05T-5.0FH/OG	M12P-F08T-5.0FH/OG	
Anti-Welding	orange10m	M12P-F03T-10.0FH/OG	M12P-F04T-10.0FH/OG	M12P-F05T-10.0FH/OG	M12P-F08T-10.0FH/OG	
Grey cable	GY	Rated voltage:250 V AC/DC		Rated voltage:125 V AC/DC	Rated voltage:60 V AC/DC	

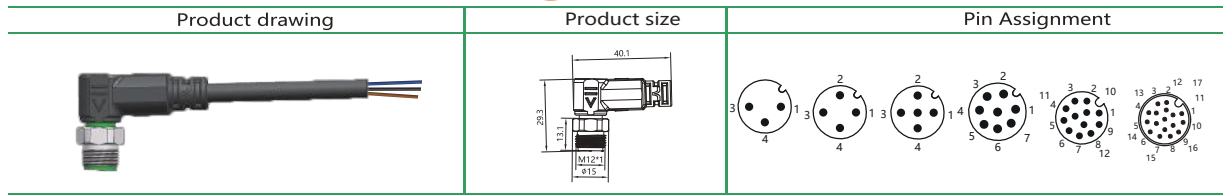
Material and Length		Female head12core	Female head17core
PVC	black3m	M12P-F12T-3.0PVC/BK	M12P-F17T-3.0PVC/BK
PVC	black5m	M12P-F12T-5.0PVC/BK	M12P-F17T-5.0PVC/BK
PVC	black10m	M12P-F12T-10.0PVC/BK	M12P-F17T-10.0PVC/BK
PUR	black3m	M12P-F12T-3.0PUR/BK	M12P-F17T-3.0PUR/BK
PUR	black5m	M12P-F12T-5.0PUR/BK	M12P-F17T-5.0PUR/BK
PUR	black10m	M12P-F12T-10.0PUR/BK	M12P-F17T-10.0PUR/BK
DragChain	black3m	M12P-F12T-3.0TL/BK	M12P-F17T-3.0TL/BK
DragChain	black5m	M12P-F12T-5.0TL/BK	M12P-F17T-5.0TL/BK
DragChain	black10m	M12P-F12T-10.0TL/BK	M12P-F17T-10.0TL/BK
Grey cable	GY	Rated voltage:30V AC/DC	Rated voltage:30 V AC/DC



M12 Connector Harness

With Open End

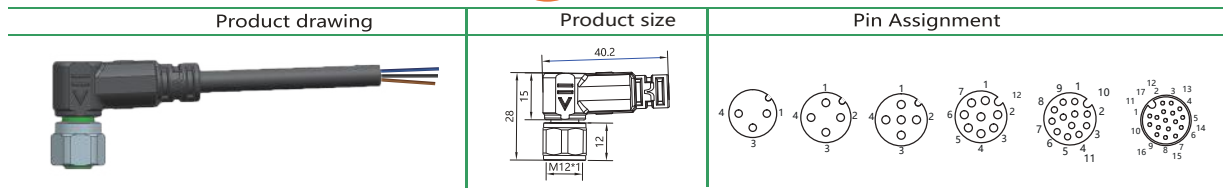
Shield



Material and Length		Male head3core	Male head4core	Male head5core	Male head8core	Common spare parts
PVC	black3m	M12P-M03S-3.0PVC/BK	M12P-M04S-3.0PVC/BK	M12P-M05S-3.0PVC/BK	M12P-M08S-3.0PVC/BK	
PVC	black5m	M12P-M03S-5.0PVC/BK	M12P-M04S-5.0PVC/BK	M12P-M05S-5.0PVC/BK	M12P-M08S-5.0PVC/BK	
PVC	black10m	M12P-M03S-10.0PVC/BK	M12P-M04S-10.0PVC/BK	M12P-M05S-10.0PVC/BK	M12P-M08S-10.0PVC/BK	
PUR	black3m	M12P-M03S-3.0PUR/BK	M12P-M04S-3.0PUR/BK	M12P-M05S-3.0PUR/BK	M12P-M08S-3.0PUR/BK	
PUR	black5m	M12P-M03S-5.0PUR/BK	M12P-M04S-5.0PUR/BK	M12P-M05S-5.0PUR/BK	M12P-M08S-5.0PUR/BK	
PUR	black10m	M12P-M03S-10.0PUR/BK	M12P-M04S-10.0PUR/BK	M12P-M05S-10.0PUR/BK	M12P-M08S-10.0PUR/BK	
DragChain	black3m	M12P-M03S-3.0TL/BK	M12P-M04S-3.0TL/BK	M12P-M05S-3.0TL/BK	M12P-M08S-3.0TL/BK	
DragChain	black5m	M12P-M03S-5.0TL/BK	M12P-M04S-5.0TL/BK	M12P-M05S-5.0TL/BK	M12P-M08S-5.0TL/BK	
DragChain	black10m	M12P-M03S-10.0TL/BK	M12P-M04S-10.0TL/BK	M12P-M05S-10.0TL/BK	M12P-M08S-10.0TL/BK	
Anti-Welding	orange3m	M12P-M03S-3.0FH/OG	M12P-M04S-3.0FH/OG	M12P-M05S-3.0FH/OG	M12P-M08S-3.0FH/OG	
Anti-Welding	orange5m	M12P-M03S-5.0FH/OG	M12P-M04S-5.0FH/OG	M12P-M05S-5.0FH/OG	M12P-M08S-5.0FH/OG	
Anti-Welding	orange10m	M12P-M03S-10.0FH/OG	M12P-M04S-10.0FH/OG	M12P-M05S-10.0FH/OG	M12P-M08S-10.0FH/OG	
Grey cable	GY	Rated voltage:250 V AC/DC		Rated voltage:125 V AC/DC	Rated voltage:60 V AC/DC	
Material and Length		Male head12core	Male head17core			
PVC	black3m	M12P-M12S-3.0PVC/BK	M12P-M17S-3.0PVC/BK			
PVC	black5m	M12P-M12S-5.0PVC/BK	M12P-M17S-5.0PVC/BK			
PVC	black10m	M12P-M12S-10.0PVC/BK	M12P-M17S-10.0PVC/BK			
PUR	black3m	M12P-M12S-3.0PUR/BK	M12P-M17S-3.0PUR/BK			
PUR	black5m	M12P-M12S-5.0PUR/BK	M12P-M17S-5.0PUR/BK			
PUR	black10m	M12P-M12S-10.0PUR/BK	M12P-M17S-10.0PUR/BK			
DragChain	black3m	M12P-M12S-3.0TL/BK	M12P-M17S-3.0TL/BK			
DragChain	black5m	M12P-M12S-5.0TL/BK	M12P-M17S-5.0TL/BK			
DragChain	black10m	M12P-M12S-10.0TL/BK	M12P-M17S-10.0TL/BK			
Grey cable	GY	Rated voltage:30V AC/DC		Rated voltage:30 V AC/DC		

With Open End

Shield




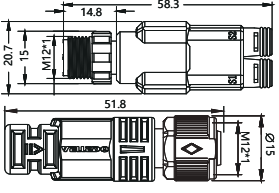
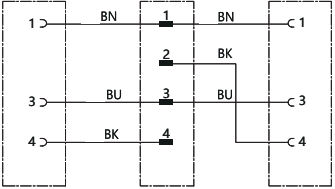
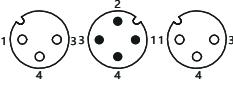
Material and Length		Female head3core	Female head4core	Female head5core	Female head8core	Common spare parts
PVC	black3m	M12P-F03S-3.0PVC/BK	M12P-F04S-3.0PVC/BK	M12P-F05S-3.0PVC/BK	M12P-F08S-3.0PVC/BK	
PVC	black5m	M12P-F03S-5.0PVC/BK	M12P-F04S-5.0PVC/BK	M12P-F05S-5.0PVC/BK	M12P-F08S-5.0PVC/BK	
PVC	black10m	M12P-F03S-10.0PVC/BK	M12P-F04S-10.0PVC/BK	M12P-F05S-10.0PVC/BK	M12P-F08S-10.0PVC/BK	
PUR	black3m	M12P-F03S-3.0PUR/BK	M12P-F04S-3.0PUR/BK	M12P-F05S-3.0PUR/BK	M12P-F08S-3.0PUR/BK	
PUR	black5m	M12P-F03S-5.0PUR/BK	M12P-F04S-5.0PUR/BK	M12P-F05S-5.0PUR/BK	M12P-F08S-5.0PUR/BK	
PUR	black10m	M12P-F03S-10.0PUR/BK	M12P-F04S-10.0PUR/BK	M12P-F05S-10.0PUR/BK	M12P-F08S-10.0PUR/BK	
DragChain	black3m	M12P-F03S-3.0TL/BK	M12P-F04S-3.0TL/BK	M12P-F05S-3.0TL/BK	M12P-F08S-3.0TL/BK	
DragChain	black5m	M12P-F03S-5.0TL/BK	M12P-F04S-5.0TL/BK	M12P-F05S-5.0TL/BK	M12P-F08S-5.0TL/BK	
DragChain	black10m	M12P-F03S-10.0TL/BK	M12P-F04S-10.0TL/BK	M12P-F05S-10.0TL/BK	M12P-F08S-10.0TL/BK	
Anti-Welding	orange3m	M12P-F03S-3.0FH/OG	M12P-F04S-3.0FH/OG	M12P-F05S-3.0FH/OG	M12P-F08S-3.0FH/OG	
Anti-Welding	orange5m	M12P-F03S-5.0FH/OG	M12P-F04S-5.0FH/OG	M12P-F05S-5.0FH/OG	M12P-F08S-5.0FH/OG	
Anti-Welding	orange10m	M12P-F03S-10.0FH/OG	M12P-F04S-10.0FH/OG	M12P-F05S-10.0FH/OG	M12P-F08S-10.0FH/OG	
Grey cable	GY	Rated voltage:250 V AC/DC		Rated voltage:125 V AC/DC	Rated voltage:60 V AC/DC	
Material and Length		Male head12core	Male head17core			
PVC	black3m	M12P-F12S-3.0PVC/BK	M12P-F17S-3.0PVC/BK			
PVC	black5m	M12P-F12S-5.0PVC/BK	M12P-F17S-5.0PVC/BK			
PVC	black10m	M12P-F12S-10.0PVC/BK	M12P-F17S-10.0PVC/BK			
PUR	black3m	M12P-F12S-3.0PUR/BK	M12P-F17S-3.0PUR/BK			
PUR	black5m	M12P-F12S-5.0PUR/BK	M12P-F17S-5.0PUR/BK			
PUR	black10m	M12P-F12S-10.0PUR/BK	M12P-F17S-10.0PUR/BK			
DragChain	black3m	M12P-F12S-3.0TL/BK	M12P-F17S-3.0TL/BK			
DragChain	black5m	M12P-F12S-5.0TL/BK	M12P-F17S-5.0TL/BK			
DragChain	black10m	M12P-F12S-10.0TL/BK	M12P-F17S-10.0TL/BK			
Grey cable	GY	Rated voltage:30V AC/DC		Rated voltage:30 V AC/DC		



Data ,CAD,3D document please refer to: WWW.VELLEDQ.COM

M12 Connector Harness

Y-type Connection Cable


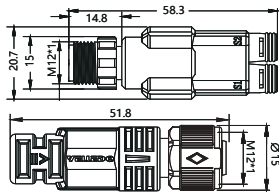
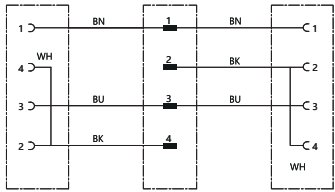
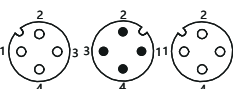
Product drawing	Product size	Circuit	Pin Assignment
			

Material and Length		4core	3core
PVC	black3m	Y-M12-M04/2F03T-3.0PVC/BK	
PVC	black5m	Y-M12-M04/2F03T-5.0PVC/BK	
PVC	black10m	Y-M12-M04/2F03T-10.0PVC/BK	
PUR	black3m	Y-M12-M04/2F03T-3.0PURBK	
PUR	black5m	Y-M12-M04/2F03T-5.0PUR/BK	
PUR	black10m	Y-M12-M04/2F03T-10.0PUR/BK	
DragChain	black3m	Y-M12-M04/2F03T-3.0TL/BK	
DragChain	black5m	Y-M12-M04/2F03T-5.0TL/BK	
DragChain	black10m	Y-M12-M04/2F03T-10.0TL/BK	
Anti-Welding	orange3m	Y-M12-M04/2F03T-3.0FH/OG	
Anti-Welding	orange5m	Y-M12-M04/2F03T-5.0FH/OG	
Anti-Welding	orange10m	Y-M12-M04/2F03T-10.0FH/OG	
Grey cable	GY		

Length/Material Could be customized according to different environment ,like extrimetpreture and acid/alkali

Rated voltage	250 V AC/DC
Cable specification	3*0.34mm ²
ProtectionClass(IEC 60529)	IP67
Ambient temperature	-25~+85°C

Y-type Connection Cable

Product drawing	Product size	Circuit	Pin Assignment
			

Material and Length		4core	4core
PVC	black3m	Y-M12-M04/2F04T-3.0PVC/BK	
PVC	black5m	Y-M12-M04/2F04T-5.0PVC/BK	
PVC	black10m	Y-M12-M04/2F04T-10.0PVC/BK	
PUR	black3m	Y-M12-M04/2F04T-3.0PUR/BK	
PUR	black5m	Y-M12-M04/2F04T-5.0PUR/BK	
PUR	black10m	Y-M12-M04/2F04T-10.0PUR/BK	
DragChain	black3m	Y-M12-M04/2F04T-3.0TL/BK	
DragChain	black5m	Y-M12-M04/2F04T-5.0TL/BK	
DragChain	black10m	Y-M12-M04/2F04T-10.0TL/BK	
Anti-Welding	orange3m	Y-M12-M04/2F04T-3.0FH/OG	
Anti-Welding	orange5m	Y-M12-M04/2F04T-5.0FH/OG	
Anti-Welding	orange10m	Y-M12-M04/2F04T-10.0FH/OG	
Grey cable	GY		

Length/Material Could be customized according to different enviroment ,like extrimetpreture and acid/alkali

Rated voltage	250 V AC/DC
Cable specification	3*0.34mm ²
ProtectionClass(IEC 60529)	IP67
Ambient temperature	-25~+85°C



Data ,CAD,3D document please refer to: WWW.VELLEDQ.COM

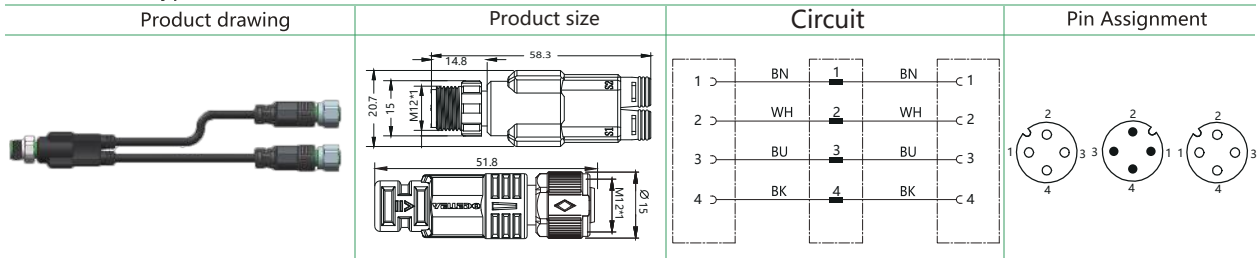


ISO 9001 (2015) quality management system

M12 Connector Harness



Y-type Connection Cable

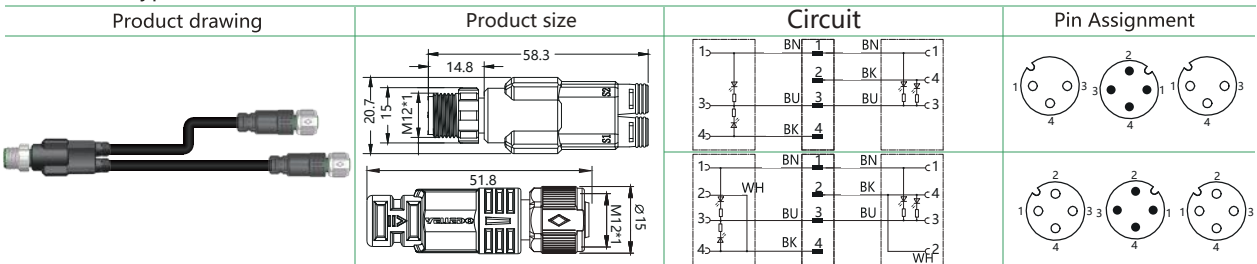


Material and Length		4core	4core
PVC	black3m	Y-M12-M04/2F04T-B-3.0PVC/BK	
PVC	black5m	Y-M12-M04/2F04T-B-5.0PVC/BK	
PVC	black10m	Y-M12-M04/2F04T-B-10.0PVC/BK	
PUR	black3m	Y-M12-M04/2F04T-B-3.0PURBK	
PUR	black5m	Y-M12-M04/2F04T-B-5.0PUR/BK	
PUR	black10m	Y-M12-M04/2F04T-B-10.0PUR/BK	
DragChain	black3m	Y-M12-M04/2F04T-B-3.0TL/BK	
DragChain	black5m	Y-M12-M04/2F04T-B-5.0TL/BK	
DragChain	black10m	Y-M12-M04/2F04T-B-10.0TL/BK	
Anti-Welding	orange3m	Y-M12-M04/2F04T-B-3.0FH/OG	
Anti-Welding	orange5m	Y-M12-M04/2F04T-B-5.0FH/OG	
Anti-Welding	orange10m	Y-M12-M04/2F04T-B-10.0FH/OG	
Grey cable	GY		

Length/Material Could be customized according to different environment ,like extrame temprature and acid/alkali

Rated voltage	250 V AC/DC
Cable specification	4*0.34mm ²
ProtectionClass(IEC 60529)	IP67
Ambient temperature	-25~+85°C

Y-type Connection Cable



Material and Length		4core	4core
PVC	black3m	Y-M12-M04/2F03T-LED-3.0PVC/BK	
PVC	black5m	Y-M12-M04/2F03T-LED-5.0PVC/BK	
PVC	black10m	Y-M12-M04/2F03T-LED-10.0PVC/BK	
PUR	black3m	Y-M12-M04/2F03T-LED-3.0PUR/BK	
PUR	black5m	Y-M12-M04/2F03T-LED-5.0PUR/BK	
PUR	black10m	Y-M12-M04/2F03T-LED-10.0PUR/BK	
DragChain	black3m	Y-M12-M04/2F03T-LED-3.0TL/BK	
DragChain	black5m	Y-M12-M04/2F03T-LED-5.0TL/BK	
DragChain	black10m	Y-M12-M04/2F03T-LED-10.0TL/BK	
Anti-Welding	orange3m	Y-M12-M04/2F03T-LED-3.0FH/OG	
Anti-Welding	orange5m	Y-M12-M04/2F03T-LED-5.0FH/OG	
Anti-Welding	orange10m	Y-M12-M04/2F03T-LED-10.0FH/OG	
Grey cable	GY		

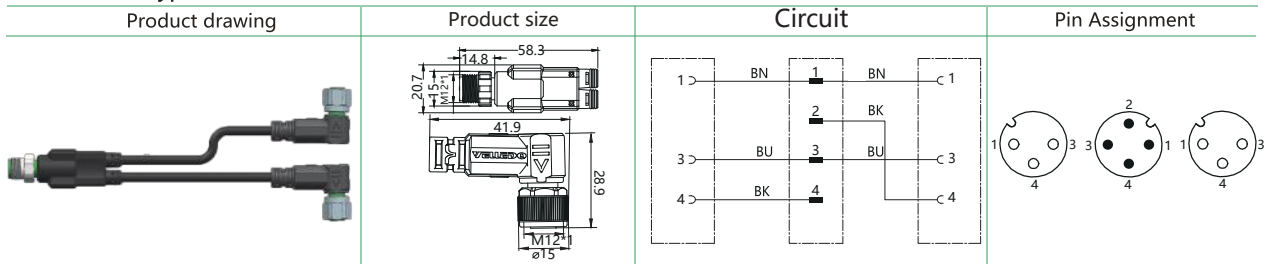
Length/Material Could be customized according to different enviroment ,like extrame temprature and acid/alkali

Rated voltage	250 V AC/DC
Cable specification	3*0.34mm ²
ProtectionClass(IEC 60529)	IP67
Ambient temperature	-25~+85°C



M12 Connector Harness

Y-type Connection Cable

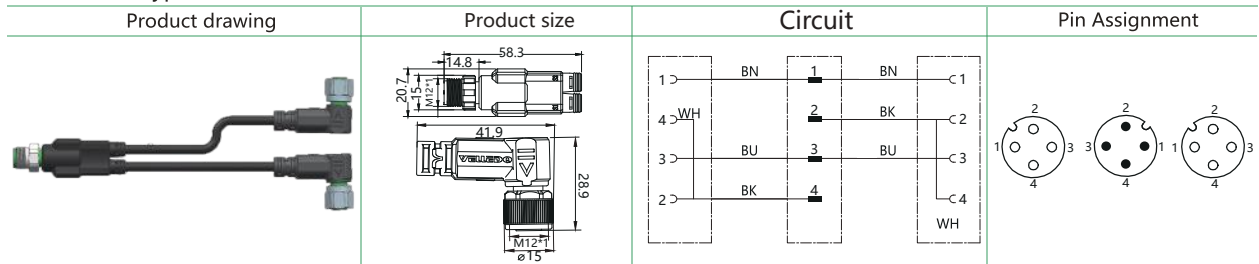


Material and Length		4core	3core
PVC	black3m	Y-M12-M04/2F03S-3.0PVC/BK	
PVC	black5m	Y-M12-M04/2F03S-5.0PVC/BK	
PVC	black10m	Y-M12-M04/2F03S-10.0PVC/BK	
PUR	black3m	Y-M12-M04/2F03S-3.0PUR/BK	
PUR	black5m	Y-M12-M04/2F03S-5.0PUR/BK	
PUR	black10m	Y-M12-M04/2F03S-10.0PUR/BK	
DragChain	black3m	Y-M12-M04/2F03S-3.0TL/BK	
DragChain	black5m	Y-M12-M04/2F03S-5.0TL/BK	
DragChain	black10m	Y-M12-M04/2F03S-10.0TL/BK	
Anti-Welding	orange3m	Y-M12-M04/2F03S-3.0FH/OG	
Anti-Welding	orange5m	Y-M12-M04/2F03S-5.0FH/OG	
Anti-Welding	orange10m	Y-M12-M04/2F03S-10.0FH/OG	
Grey cable	GY		

Length/Material Could be customized according to different enviroment ,like extrame temperture and acid/alkali

Rated voltage	250 V AC/DC
Cable specification	3*0.34mm ²
ProtectionClass(IEC 60529)	IP67
Ambient temperature	-25~+85°C

Y-type Connection Cable



Material and Length		4core	4core
PVC	black3m	Y-M12-M04/2F04S-3.0PVC/BK	
PVC	black5m	Y-M12-M04/2F04S-5.0PVC/BK	
PVC	black10m	Y-M12-M04/2F04S-10.0PVC/BK	
PUR	black3m	Y-M12-M04/2F04S-3.0PUR/BK	
PUR	black5m	Y-M12-M04/2F04S-5.0PUR/BK	
PUR	black10m	Y-M12-M04/2F04S-10.0PUR/BK	
DragChain	black3m	Y-M12-M04/2F04S-10.0TL/BK	
DragChain	black5m	Y-M12-M04/2F04S-10.0TL/BK	
DragChain	black10m	Y-M12-M04/2F04S-10.0TL/BK	
Anti-Welding	orange3m	Y-M12-M04/2F04S-3.0FH/OG	
Anti-Welding	orange5m	Y-M12-M04/2F04S-5.0FH/OG	
Anti-Welding	orange10m	Y-M12-M04/2F04S-10.0FH/OG	
Grey cable	GY		

Length/Material Could be customized according to different enviroment ,like extrame temperture and acid/alkali

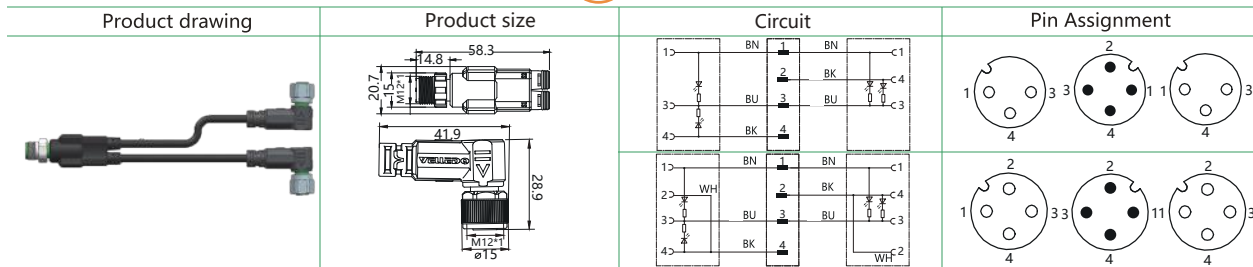
Rated voltage	24 V DC±25%
Cable specification	3*0.34mm ²
ProtectionClass(IEC 60529)	IP67
Ambient temperature	-25~+85°C



Data ,CAD,3D document please refer to: WWW.VELLEDQ.COM

M12 Connector Harness

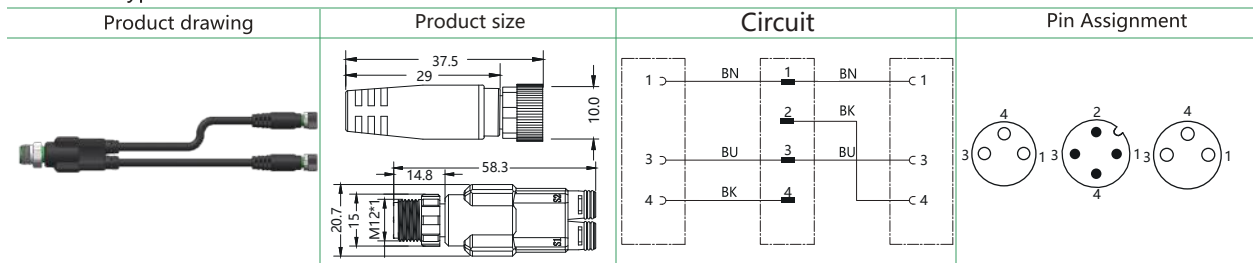
Y-type Connection Cable



Material and Length		4core	3core	4core	4core
PVC	black3m	Y-M12-M04/2F03S-LED-3.0PVC/BK		Y-M12-M04/2F04S-LED-3.0PVC/BK	
PVC	black5m	Y-M12-M04/2F03S-LED-5.0PVC/BK		Y-M12-M04/2F04S-LED-5.0PVC/BK	
PVC	black10m	Y-M12-M04/2F03S-LED-10.0PVC/BK		Y-M12-M04/2F04S-LED-10.0PVC/BK	
PUR	black3m	Y-M12-M04/2F03S-LED-3.0PUR/BK		Y-M12-M04/2F04S-LED-3.0PUR/BK	
PUR	black5m	Y-M12-M04/2F03S-LED-5.0PUR/BK		Y-M12-M04/2F04S-LED-5.0PUR/BK	
PUR	black10m	Y-M12-M04/2F03S-LED-10.0PUR/BK		Y-M12-M04/2F04S-LED-10.0PUR/BK	
DragChain	black3m	Y-M12-M04/2F03S-LED-3.0TL/BK		Y-M12-M04/2F04S-LED-3.0TL/BK	
DragChain	black5m	Y-M12-M04/2F03S-LED-5.0TL/BK		Y-M12-M04/2F04S-LED-5.0TL/BK	
DragChain	black10m	Y-M12-M04/2F03S-LED-10.0TL/BK		Y-M12-M04/2F04S-LED-10.0TL/BK	
Anti-Welding	orange3m	Y-M12-M04/2F03S-LED-3.0FH/OG		Y-M12-M04/2F04S-LED-3.0FH/OG	
Anti-Welding	orange5m	Y-M12-M04/2F03S-LED-5.0FH/OG		Y-M12-M04/2F04S-LED-5.0FH/OG	
Anti-Welding	orange10m	Y-M12-M04/2F03S-LED-10.0FH/OG		Y-M12-M04/2F04S-LED-10.0FH/OG	

Grey cable	GY				
Length/Material Could be customized according to different enviroment ,like extrame temprature and acid/alkali					
Rated voltage	250 V AC/DC				
Cable specification	3*0.34mm ²				
ProtectionClass(IEC 60529)	IP67				
Ambient temperature	-25~+85°C				

Y-type Connection Cable



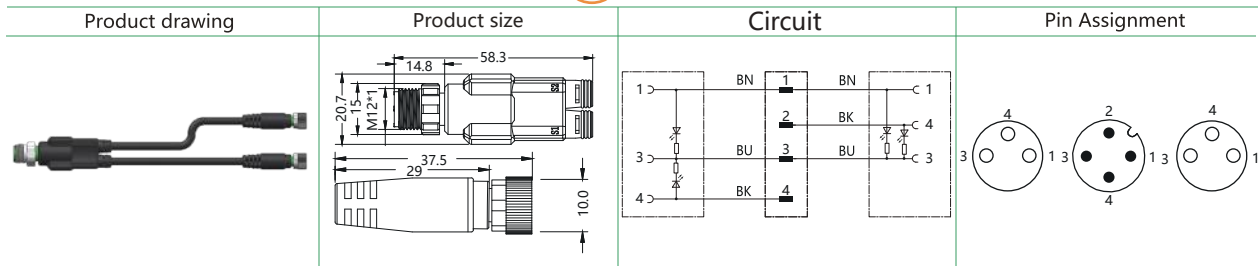
Material and Length		4core	3core	4core	4core
PVC	black3m	Y-M12-M04/M8-2F03T-3.0PVC/BK			
PVC	black5m	Y-M12-M04/M8-2F03T-5.0PVC/BK			
PVC	black10m	Y-M12-M04/M8-2F03T-10.0PVC/BK			
PUR	black3m	Y-M12-M04/M8-2F03T-3.0PUR/BK			
PUR	black5m	Y-M12-M04/M8-2F03T-5.0PUR/BK			
PUR	black10m	Y-M12-M04/M8-2F03T-10.0PUR/BK			
DragChain	black3m	Y-M12-M04/M8-2F03T-3.0TL/BK			
DragChain	black5m	Y-M12-M04/M8-2F03T-5.0TL/BK			
DragChain	black10m	Y-M12-M04/M8-2F03T-10.0TL/BK			
Anti-Welding	orange3m	Y-M12-M04/M8-2F03T-3.0FH/OG			
Anti-Welding	orange5m	Y-M12-M04/M8-2F03T-5.0FH/OG			
Anti-Welding	orange10m	Y-M12-M04/M8-2F03T-10.0FH/OG			

Grey cable	GY				
Length/Material Could be customized according to different enviroment ,like extrame temprature and acid/alkali					
Rated voltage	250 V AC/DC				
Cable specification	3*0.25mm ²				
ProtectionClass(IEC 60529)	IP67				
Ambient temperature	-25~+85°C				



M12 Connector Harness

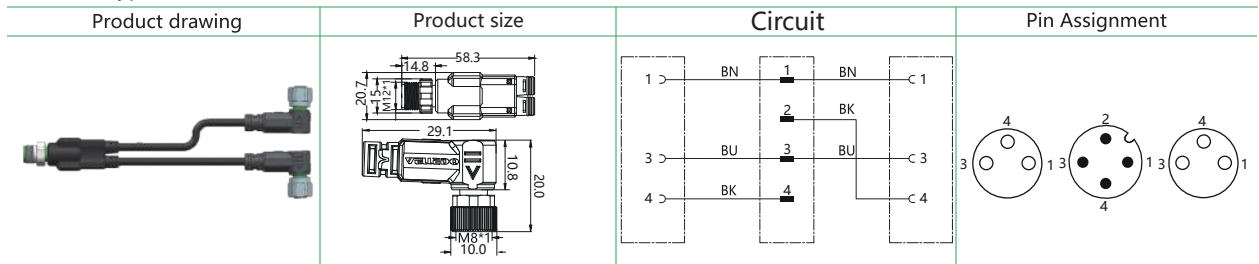
Y-type Connection Cable



Material and Length		4core	3core
PVC	black3m	Y-M12-M04/M8-2F03T-LED-3.0PVC/BK	
PVC	black5m	Y-M12-M04/M8-2F03T-LED-5.0PVC/BK	
PVC	black10m	Y-M12-M04/M8-2F03T-LED-10.0PVC/BK	
PUR	black3m	Y-M12-M04/M8-2F03T-LED-3.0PUR/BK	
PUR	black5m	Y-M12-M04/M8-2F03T-LED-5.0PUR/BK	
PUR	black10m	Y-M12-M04/M8-2F03T-LED-10.0PUR/BK	
DragChain	black3m	Y-M12-M04/M8-2F03T-LED-3.0TL/BK	
DragChain	black5m	Y-M12-M04/M8-2F03T-LED-5.0TL/BK	
DragChain	black10m	Y-M12-M04/M8-2F03T-LED-10.0TL/BK	
Anti-Welding	orange3m	Y-M12-M04/M8-2F03T-LED-3.0FH/OG	
Anti-Welding	orange5m	Y-M12-M04/M8-2F03T-LED-5.0FH/OG	
Anti-Welding	orange10m	Y-M12-M04/M8-2F03T-LED-10.0FH/OG	

Grey cable	GY
Length/Material Could be customized according to different enviroment ,like extrame temprature and acid/alkali	
Rated voltage	24 V DC±25%
Cable specification	3*0.25mm ²
ProtectionClass(IEC 60529)	IP67
Ambient temperature	-25~+85°C

Y-type Connection Cable



Material and Length		4core	3core
PVC	black3m	Y-M12-M04/M8-2F03S-3.0PVC/BK	
PVC	black5m	Y-M12-M04/M8-2F03S-5.0PVC/BK	
PVC	black10m	Y-M12-M04/M8-2F03S-10.0PVC/BK	
PUR	black3m	Y-M12-M04/M8-2F03S-3.0PUR/BK	
PUR	black5m	Y-M12-M04/M8-2F03S-5.0PUR/BK	
PUR	black10m	Y-M12-M04/M8-2F03S-10.0PUR/BK	
DragChain	black3m	Y-M12-M04/M8-2F03S-3.0TL/BK	
DragChain	black5m	Y-M12-M04/M8-2F03S-5.0TL/BK	
DragChain	black10m	Y-M12-M04/M8-2F03S-10.0TL/BK	
Anti-Welding	orange3m	Y-M12-M04/M8-2F03S-3.0FH/OG	
Anti-Welding	orange5m	Y-M12-M04/M8-2F03S-5.0FH/OG	
Anti-Welding	orange10m	Y-M12-M04/M8-2F03S-10.0FH/OG	

Grey cable	GY
Length/Material Could be customized according to different enviroment ,like extrame temprature and acid/alkali	
Rated voltage	250 V AC/DC
Cable specification	3*0.25mm ²
ProtectionClass(IEC 60529)	IP67
Ambient temperature	-25~+85°C

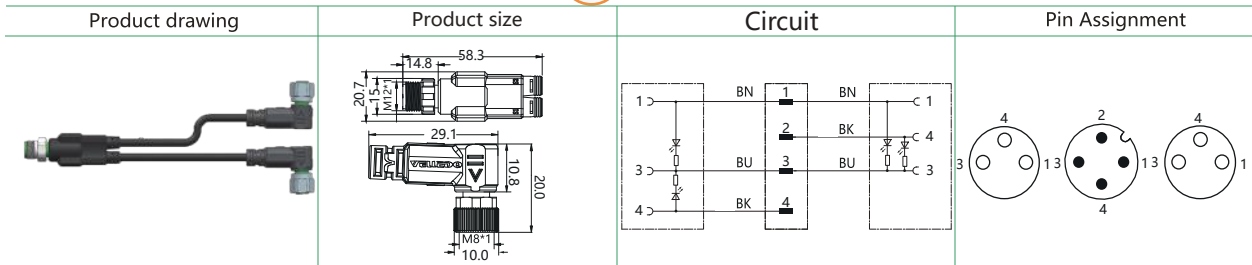


Data ,CAD,3D document please refer to: WWW.VELLEDQ.COM

M12 Connector Harness



Y-type Connection Cable

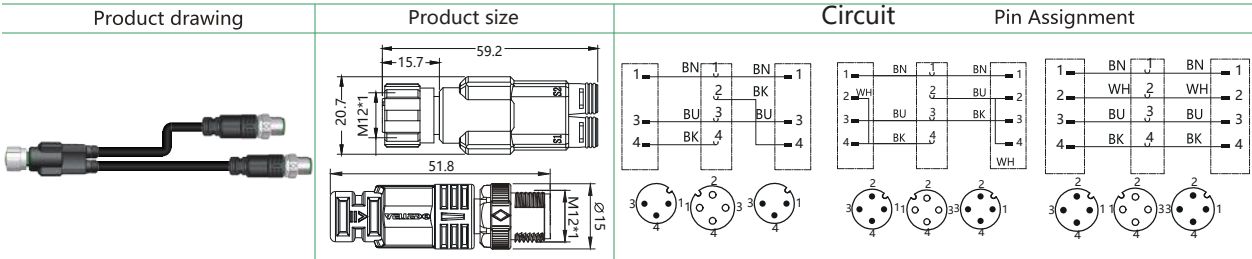


Material and Length		4core	3core
PVC	black3m	Y-M12-M04/M8-2F03S-LED-3.0PVC/BK	
PVC	black5m	Y-M12-M04/M8-2F03S-LED-5.0PVC/BK	
PVC	black10m	Y-M12-M04/M8-2F03S-LED-10.0PVC/BK	
PUR	black3m	Y-M12-M04/M8-2F03S-LED-3.0PUR/BK	
PUR	black5m	Y-M12-M04/M8-2F03S-LED-5.0PUR/BK	
PUR	black10m	Y-M12-M04/M8-2F03S-LED-10.0PUR/BK	
DragChain	black3m	Y-M12-M04/M8-2F03S-LED-3.0TL/BK	
DragChain	black5m	Y-M12-M04/M8-2F03S-LED-5.0TL/BK	
DragChain	black10m	Y-M12-M04/M8-2F03S-LED-10.0TL/BK	
Anti-Welding	orange3m	Y-M12-M04/M8-2F03S-LED-3.0FH/OG	
Anti-Welding	orange5m	Y-M12-M04/M8-2F03S-LED-5.0FH/OG	
Anti-Welding	orange10m	Y-M12-M04/M8-2F03S-LED-10.0FH/OG	
Grey cable	GY		

Length/Material Could be customized according to different enviroment ,like extrame temperture and acid/alkali

Rated voltage	24 V DC±25%
Cable specification	4*0.25mm ²
ProtectionClass(IEC 60529)	IP67
Ambient temperature	-25~+85°C

Y-type Connection Cable



Material and Length		4core 3core	4core 4core	4core 4core
PVC	black3m	Y-M12-F04/2M03T-3.0PVC/BK	Y-M12-F04/2M04T-3.0PVC/BK	Y-M12-F04/2M04T-B-3.0PVC/BK
PVC	black5m	Y-M12-F04/2M03T-5.0PVC/BK	Y-M12-F04/2M04T-5.0PVC/BK	Y-M12-F04/2M04T-B-5.0PVC/BK
PVC	black10m	Y-M12-F04/2M03T-10.0PVC/BK	Y-M12-F04/2M04T-10.0PVC/BK	Y-M12-F04/2M04T-B-10.0PVC/BK
PUR	black3m	Y-M12-F04/2M03T-3.0PUR/BK	Y-M12-F04/2M04T-3.0PUR/BK	Y-M12-F04/2M04T-B-3.0PUR/BK
PUR	black5m	Y-M12-F04/2M03T-5.0PUR/BK	Y-M12-F04/2M04T-5.0PUR/BK	Y-M12-F04/2M04T-B-5.0PUR/BK
PUR	black10m	Y-M12-F04/2M03T-10.0PUR/BK	Y-M12-F04/2M04T-10.0PUR/BK	Y-M12-F04/2M04T-B-10.0PUR/BK
DragChain	black3m	Y-M12-F04/2M03T-3.0TL/BK	Y-M12-F04/2M04T-3.0TL/BK	Y-M12-F04/2M04T-B-3.0TL/BK
DragChain	black5m	Y-M12-F04/2M03T-5.0TL/BK	Y-M12-F04/2M04T-5.0TL/BK	Y-M12-F04/2M04T-B-5.0TL/BK
DragChain	black10m	Y-M12-F04/2M03T-10.0TL/BK	Y-M12-F04/2M04T-10.0TL/BK	Y-M12-F04/2M04T-B-10.0TL/BK
Anti-Welding	orange3m	Y-M12-F04/2M03T-3.0FH/OG	Y-M12-F04/2M04T-3.0FH/OG	Y-M12-F04/2M04T-B-3.0FH/OG
Anti-Welding	orange5m	Y-M12-F04/2M03T-5.0FH/OG	Y-M12-F04/2M04T-5.0FH/OG	Y-M12-F04/2M04T-B-5.0FH/OG
Anti-Welding	orange10m	Y-M12-F04/2M03T-10.0FH/OG	Y-M12-F04/2M04T-10.0FH/OG	Y-M12-F04/2M04T-B-10.0FH/OG
Grey cable	GY			

Length/Material Could be customized according to different enviroment ,like extrame temperture and acid/alkali

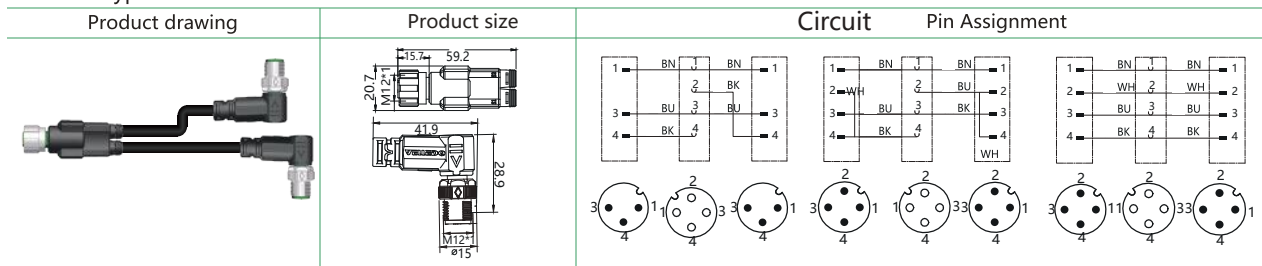
Rated voltage	250 V AC/DC
Cable specification	3*0.34mm ²
ProtectionClass(IEC 60529)	IP67
Ambient temperature	-25~+85°C



M12 Connector Harness



Y-type Connection Cable



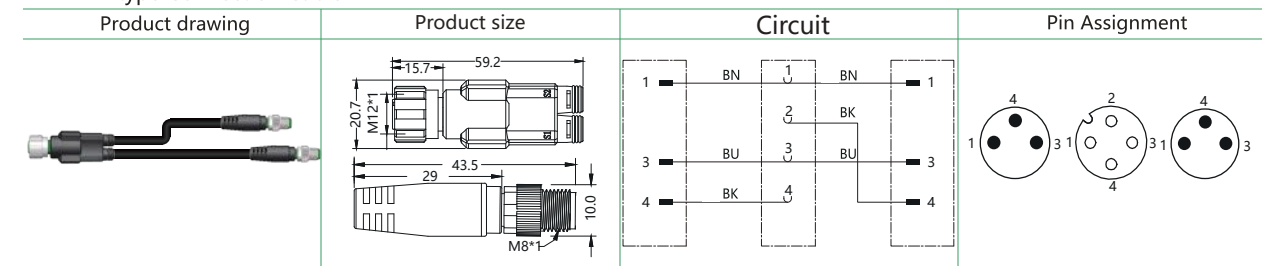
Material and Length		4core	3core	4core	4core
PVC	black3m	Y-M12-F04/2M03S-3.0PVC/BK		Y-M12-F04/2M04S-3.0PVC/BK	Y-M12-F04/2M04S-B-3.0PVC/BK
PVC	black5m	Y-M12-F04/2M03S-5.0PVC/BK		Y-M12-F04/2M04S-5.0PVC/BK	Y-M12-F04/2M04S-B-5.0PVC/BK
PVC	black10m	Y-M12-F04/2M03S-10.0PVC/BK		Y-M12-F04/2M04S-10.0PVC/BK	Y-M12-F04/2M04S-B-10.0PVC/BK
PUR	black3m	Y-M12-F04/2M03S-3.0PUR/BK		Y-M12-F04/2M04S-3.0PUR/BK	Y-M12-F04/2M04S-B-3.0PUR/BK
PUR	black5m	Y-M12-F04/2M03S-5.0PUR/BK		Y-M12-F04/2M04S-5.0PUR/BK	Y-M12-F04/2M04S-B-5.0PUR/BK
PUR	black10m	Y-M12-F04/2M03S-10.0PUR/BK		Y-M12-F04/2M04S-10.0PUR/BK	Y-M12-F04/2M04S-B-10.0PUR/BK
DragChain	black3m	Y-M12-F04/2M03S-3.0TL/BK		Y-M12-F04/2M04S-3.0TL/BK	Y-M12-F04/2M04S-B-3.0TL/BK
DragChain	black5m	Y-M12-F04/2M03S-5.0TL/BK		Y-M12-F04/2M04S-5.0TL/BK	Y-M12-F04/2M04S-B-5.0TL/BK
DragChain	black10m	Y-M12-F04/2M03S-10.0TL/BK		Y-M12-F04/2M04S-10.0TL/BK	Y-M12-F04/2M04S-B-10.0TL/BK
Anti-Welding	orange3m	Y-M12-F04/2M03S-3.0FH/OG		Y-M12-F04/2M04S-3.0FH/OG	Y-M12-F04/2M04S-B-3.0FH/OG
Anti-Welding	orange5m	Y-M12-F04/2M03S-5.0FH/OG		Y-M12-F04/2M04S-5.0FH/OG	Y-M12-F04/2M04S-B-5.0FH/OG
Anti-Welding	orange10m	Y-M12-F04/2M03S-10.0FH/OG		Y-M12-F04/2M04S-10.0FH/OG	Y-M12-F04/2M04S-B-10.0FH/OG

Grey cable GY

Length/Material Could be customized according to different enviroment ,like extrame temprature and acid/alkali

Rated voltage	24 V DC±25%
Cable specification	N*0.34mm ²
ProtectionClass(IEC 60529)	IP67
Ambient temperature	-25~+85°C

Y-type Connection Cable



Material and Length		4core	3core
PVC	black3m	Y-M12-F04/M8-2M03T-3.0PVC/BK	
PVC	black5m	Y-M12-F04/M8-2M03T-5.0PVC/BK	
PVC	black10m	Y-M12-F04/M8-2M03T-10.0PVC/BK	
PUR	black3m	Y-M12-F04/M8-2M03T-3.0PUR/BK	
PUR	black5m	Y-M12-F04/M8-2M03T-5.0PUR/BK	
PUR	black10m	Y-M12-F04/M8-2M03T-10.0PUR/BK	
DragChain	black3m	Y-M12-F04/M8-2M03T-3.0TL/BK	
DragChain	black5m	Y-M12-F04/M8-2M03T-5.0TL/BK	
DragChain	black10m	Y-M12-F04/M8-2M03T-10.0TL/BK	
Anti-Welding	orange3m	Y-M12-F04/M8-2M03T-3.0FH/OG	
Anti-Welding	orange5m	Y-M12-F04/M8-2M03T-5.0FH/OG	
Anti-Welding	orange10m	Y-M12-F04/M8-2M03T-10.0FH/OG	

Grey cable GY

Length/Material Could be customized according to different enviroment ,like extrame temprature and acid/alkali

Rated voltage	250 V AC/DC
Cable specification	3*0.25mm ²
ProtectionClass(IEC 60529)	IP67
Ambient temperature	-25~+85°C



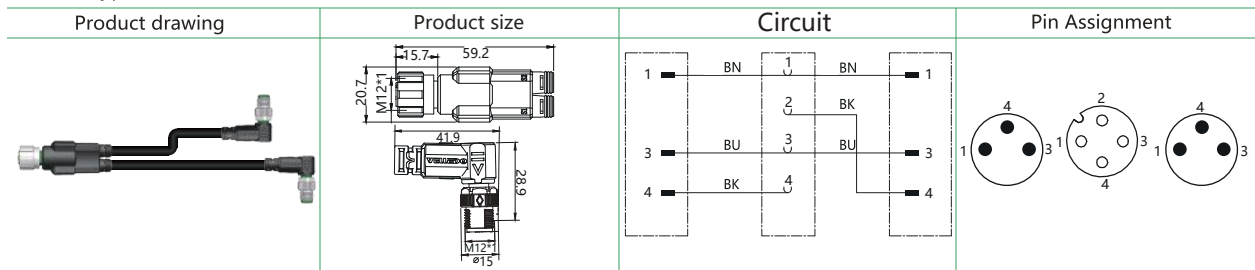
Data ,CAD,3D document please refer to: WWW.VELLEDQ.COM



M12 Connector Harness



Y-type Connection Cable

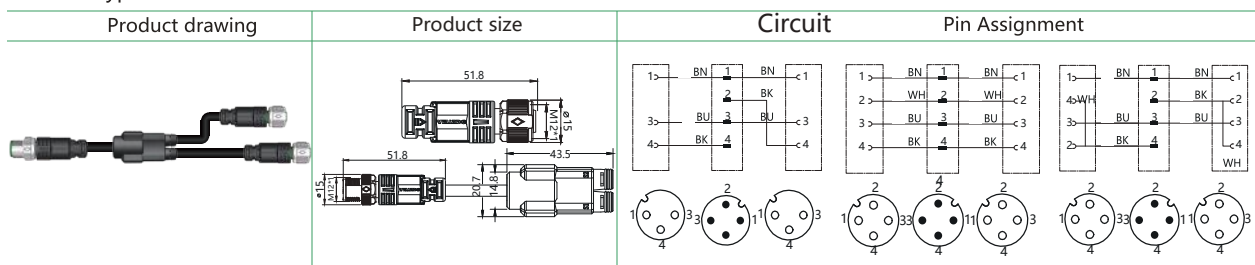


Material and Length		4core	3core
PVC	black3m	Y-M12-F04/M8-2M03S-3.0PVC/BK	
PVC	black5m	Y-M12-F04/M8-2M03S-5.0PVC/BK	
PVC	black10m	Y-M12-F04/M8-2M03S-10.0PVC/BK	
PUR	black3m	Y-M12-F04/M8-2M03S-3.0PUR/BK	
PUR	black5m	Y-M12-F04/M8-2M03S-5.0PUR/BK	
PUR	black10m	Y-M12-F04/M8-2M03S-10.0PUR/BK	
DragChain	black3m	Y-M12-F04/M8-2M03S-3.0TL/BK	
DragChain	black5m	Y-M12-F04/M8-2M03S-5.0TL/BK	
DragChain	black10m	Y-M12-F04/M8-2M03S-10.0TL/BK	
Anti-Welding	orange3m	Y-M12-F04/M8-2M03S-3.0FH/OG	
Anti-Welding	orange5m	Y-M12-F04/M8-2M03S-5.0FH/OG	
Anti-Welding	orange10m	Y-M12-F04/M8-2M03S-10.0FH/OG	
Grey cable	GY		

Length/Material Could be customized according to different enviroment ,like extrame temptreure and acid/alkali

Rated voltage	60 V AC/DC
Cable specification	3*0.25mm ²
ProtectionClass(IEC 60529)	IP67
Ambient temperature	-25~+85°C

Y-type Connection Cable



Material and Length		4core	4core	4core
PVC	black1m	Y-M12-M04T-1.0/2F03T-1.0PVC/BK	Y-M12-M04-1.0/2F04T-1.0PVC/BK	Y-M12-M04T-1.0/2F04T-B-1.0PVC/BK
PVC	black3m	Y-M12-M04T-3.0/2F03T-3.0PVC/BK	Y-M12-M04-3.0/2F04T-3.0PVC/BK	Y-M12-M04T-3.0/2F04T-B-3.0PVC/BK
PVC	black5m	Y-M12-M04T-5.0/2F03T-5.0PVC/BK	Y-M12-M04-5.0/2F04T-5.0PVC/BK	Y-M12-M04T-5.0/2F04T-B-5.0PVC/BK
PUR	black1m	Y-M12-M04T-1.0/2F03T-1.0PUR/BK	Y-M12-M04-1.0/2F04T-1.0PUR/BK	Y-M12-M04T-1.0/2F04T-B-1.0PUR/BK
PUR	black3m	Y-M12-M04T-3.0/2F03T-3.0PUR/BK	Y-M12-M04-3.0/2F04T-3.0PUR/BK	Y-M12-M04T-3.0/2F04T-B-3.0PUR/BK
PUR	black5m	Y-M12-M04T-5.0/2F03T-5.0PUR/BK	Y-M12-M04-5.0/2F04T-5.0PUR/BK	Y-M12-M04T-5.0/2F04T-B-5.0PUR/BK
DragChain	black1m	Y-M12-M04T-1.0/2F03T-1.0TL/BK	Y-M12-M04-1.0/2F04T-1.0TL/BK	Y-M12-M04T-1.0/2F04T-B-1.0TL/BK
DragChain	black3m	Y-M12-M04T-3.0/2F03T-3.0TL/BK	Y-M12-M04-3.0/2F04T-3.0TL/BK	Y-M12-M04T-3.0/2F04T-B-3.0TL/BK
DragChain	black5m	Y-M12-M04T-5.0/2F03T-5.0TL/BK	Y-M12-M04-5.0/2F04T-5.0TL/BK	Y-M12-M04T-5.0/2F04T-B-5.0TL/BK
Anti-Welding	orange1m	Y-M12-M04T-1.0/2F03T-1.0FH/OG	Y-M12-M04-1.0/2F04T-1.0FH/OG	Y-M12-M04T-1.0/2F04T-B-1.0FH/OG
Anti-Welding	orange3m	Y-M12-M04T-3.0/2F03T-3.0FH/OG	Y-M12-M04-3.0/2F04T-3.0FH/OG	Y-M12-M04T-3.0/2F04T-B-3.0FH/OG
Anti-Welding	orange5m	Y-M12-M04T-5.0/2F03T-5.0FH/OG	Y-M12-M04-5.0/2F04T-5.0FH/OG	Y-M12-M04T-5.0/2F04T-B-5.0FH/OG
Grey cable	GY			

Length/Material Could be customized according to different enviroment ,like extrame temptreure and acid/alkali

Rated voltage	250 V AC/DC
Cable specification	N*0.34mm ²
ProtectionClass(IEC 60529)	IP67
Ambient temperature	-25~+85°C



M12 Connector Harness

Y-type Connection Cable

Product drawing	Product size	Circuit	Pin Assignment

Material and Length		4core	3core	4core	4core
PVC	black1m	Y-M12-M04T-1.0/M8-2F03T-1.0PVC/BK		Y-M12-M04T-1.0/M8-2F04T-1.0PVC/BK	
PVC	black3m	Y-M12-M04T-3.0/M8-2F03T-3.0PVC/BK		Y-M12-M04T-3.0/M8-2F04T-3.0PVC/BK	
PVC	black5m	Y-M12-M04T-5.0/M8-2F03T-5.0PVC/BK		Y-M12-M04T-5.0/M8-2F04T-5.0PVC/BK	
PUR	black1m	Y-M12-M04T-1.0/M8-2F03T-1.0PUR/BK		Y-M12-M04T-1.0/M8-2F04T-1.0PUR/BK	
PUR	black3m	Y-M12-M04T-3.0/M8-2F03T-3.0PUR/BK		Y-M12-M04T-3.0/M8-2F04T-3.0PUR/BK	
PUR	black5m	Y-M12-M04T-5.0/M8-2F03T-5.0PUR/BK		Y-M12-M04T-5.0/M8-2F04T-5.0PUR/BK	
DragChain	black1m	Y-M12-M04T-1.0/M8-2F03T-1.0TL/BK		Y-M12-M04T-1.0/M8-2F04T-1.0TL/BK	
DragChain	black3m	Y-M12-M04T-3.0/M8-2F03T-3.0TL/BK		Y-M12-M04T-3.0/M8-2F04T-3.0TL/BK	
DragChain	black5m	Y-M12-M04T-5.0/M8-2F03T-5.0TL/BK		Y-M12-M04T-5.0/M8-2F04T-5.0TL/BK	
Anti-Welding	orange1m	Y-M12-M04T-1.0/M8-2F03T-1.0FH/OG		Y-M12-M04T-1.0/M8-2F04T-1.0FH/OG	
Anti-Welding	orange3m	Y-M12-M04T-3.0/M8-2F03T-3.0FH/OG		Y-M12-M04T-3.0/M8-2F04T-3.0FH/OG	
Anti-Welding	orange5m	Y-M12-M04T-5.0/M8-2F03T-5.0FH/OG		Y-M12-M04T-5.0/M8-2F04T-5.0FH/OG	
Grey cable	GY				

Length/Material Could be customized according to different environment ,like extrame ttemperature and acid/alkali

Rated voltage	60 V AC/DC
Cable specification	3*0.25mm ²
ProtectionClass(IEC 60529)	IP67
Ambient temperature	-25~+85°C

Y-type Connection Cable

Product drawing	Product size	Circuit	Pin Assignment

Material and Length		4core	4core
PVC	black1m	Y-M12-M04T-1.0/2L3C0.34-1.0PVC/BK	Y-M12-M04T-1.0/2L4C0.34-1.0PVC/BK
PVC	black3m	Y-M12-M04T-3.0/2L3C0.34-3.0PVC/BK	Y-M12-M04T-3.0/2L4C0.34-3.0PVC/BK
PVC	black5m	Y-M12-M04T-5.0/2L3C0.34-5.0PVC/BK	Y-M12-M04T-5.0/2L4C0.34-5.0PVC/BK
PUR	black1m	Y-M12-M04T-1.0/2L3C0.34-1.0PUR/BK	Y-M12-M04T-1.0/2L4C0.34-1.0PUR/BK
PUR	black3m	Y-M12-M04T-3.0/2L3C0.34-3.0PUR/BK	Y-M12-M04T-3.0/2L4C0.34-3.0PUR/BK
PUR	black5m	Y-M12-M04T-5.0/2L3C0.34-5.0PUR/BK	Y-M12-M04T-5.0/2L4C0.34-5.0PUR/BK
DragChain	black1m	Y-M12-M04T-1.0/2L3C0.34-1.0TL/BK	Y-M12-M04T-1.0/2L4C0.34-1.0TL/BK
DragChain	black3m	Y-M12-M04T-3.0/2L3C0.34-3.0TL/BK	Y-M12-M04T-3.0/2L4C0.34-3.0TL/BK
DragChain	black5m	Y-M12-M04T-5.0/2L3C0.34-5.0TL/BK	Y-M12-M04T-5.0/2L4C0.34-5.0TL/BK
Anti-Welding	orange1m	Y-M12-M04T-1.0/2L3C0.34-1.0FH/OG	Y-M12-M04T-1.0/2L4C0.34-1.0FH/OG
Anti-Welding	orange3m	Y-M12-M04T-3.0/2L3C0.34-3.0FH/OG	Y-M12-M04T-3.0/2L4C0.34-3.0FH/OG
Anti-Welding	orange5m	Y-M12-M04T-5.0/2L3C0.34-5.0FH/OG	Y-M12-M04T-5.0/2L4C0.34-5.0FH/OG
Grey cable	GY		

Length/Material Could be customized according to different environment ,like extrame ttemperature and acid/alkali

Rated voltage	250 V AC/DC
Cable specification	N*0.34mm ²
ProtectionClass(IEC 60529)	IP67
Ambient temperature	-25~+85°C

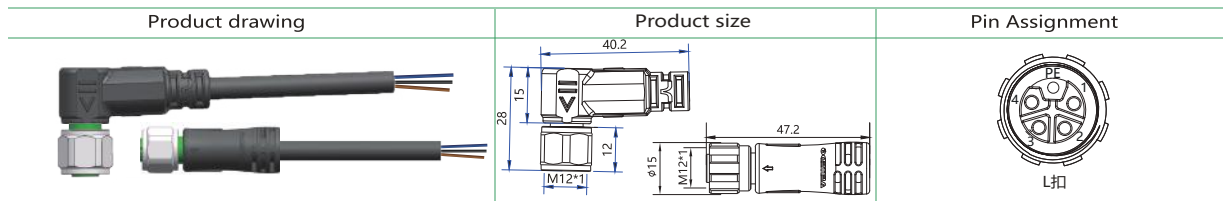


Data ,CAD,3D document please refer to: WWW.VELLEDQ.COM

M12 Connector Harness



With open ended wires



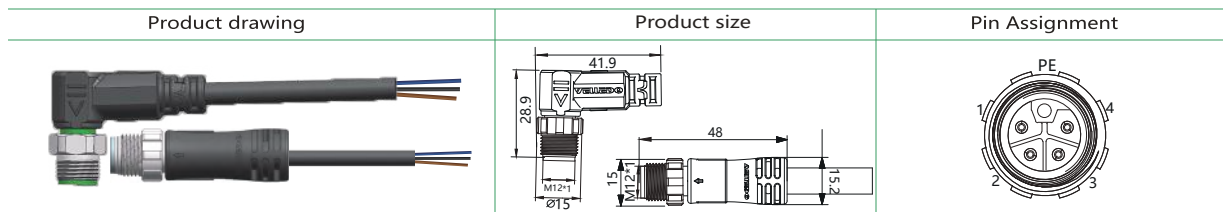
Material and Length	Score	Score
PVC black3m	M12-LF05T-3.0PVC/BK	M12-LF05S-3.0PVC/BK
PVC black5m	M12-LF05T-5.0PVC/BK	M12-LF05S-5.0PVC/BK
PVC black10m	M12-LF05T-10.0PVC/BK	M12-LF05S-10.0PVC/BK
PUR black3m	M12-LF05T-3.0PUR/BK	M12-LF05S-3.0PUR/BK
PUR black5m	M12-LF05T-5.0PUR/BK	M12-LF05S-5.0PUR/BK
PUR black10m	M12-LF05T-10.0PUR/BK	M12-LF05S-10.0PUR/BK
DragChain black3m	M12-LF05T-3.0TL/BK	M12-LF05S-3.0TL/BK
DragChain black5m	M12-LF05T-5.0TL/BK	M12-LF05S-5.0TL/BK
DragChain black10m	M12-LF05T-10.0TL/BK	M12-LF05S-10.0TL/BK

Grey cable GY

Length/Material Could be customized according to different environment ,like extrame temprature and acid/alkali

Rated voltage	630 V AC/DC
Rated current	Max 10A
Cable specification	4G1.5mm ²
ProtectionClass(IEC 60529)	IP65~IP67
Ambient temperature	-25 ... + 85°C, Depends on cable quality

With open ended wires



Material and Length	Score	Score
PVC black3m	M12-LM05T-3.0PVC/BK	M12-LM05S-3.0PVC/BK
PVC black5m	M12-LM05T-5.0PVC/BK	M12-LM05S-5.0PVC/BK
PVC black10m	M12-LM05T-10.0PVC/BK	M12-LM05S-10.0PVC/BK
PUR black3m	M12-LM05T-3.0PUR/BK	M12-LM05S-3.0PUR/BK
PUR black5m	M12-LM05T-5.0PUR/BK	M12-LM05S-5.0PUR/BK
PUR black10m	M12-LM05T-10.0PUR/BK	M12-LM05S-10.0PUR/BK
DragChain black3m	M12-LM05T-3.0TL/BK	M12-LM05S-3.0TL/BK
DragChain black5m	M12-LM05T-5.0TL/BK	M12-LM05S-5.0TL/BK
DragChain black10m	M12-LM05T-10.0TL/BK	M12-LM05S-10.0TL/BK

Grey cable GY

Length/Material Could be customized according to different environment ,like extrame temprature and acid/alkali

Rated voltage	630 V AC/DC
Rated current	Max 10A
Cable specification	4G1.5mm ²
ProtectionClass(IEC 60529)	IP65~IP67
Ambient temperature	-25 ... + 85°C, Depends on cable quality



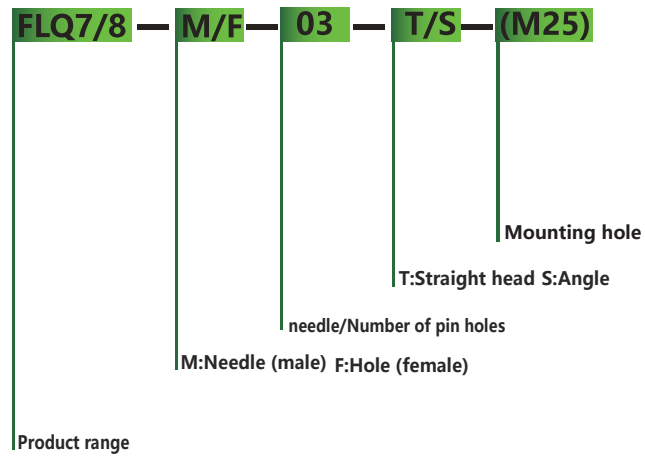




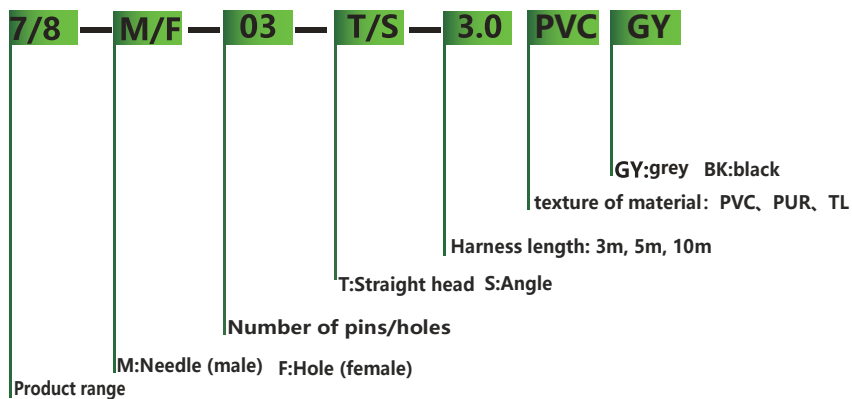
7/8 connector/Harness



7/8 connector designation



7/8 connector harness naming



7/8 connector designation

Field-wireable
Screw crimping
Screw-terminals

Product drawing	Product size	Pin Assignment

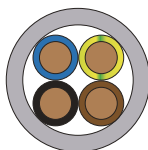
Form	7/8-M04T	7/8-F04T	7/8-M05T	7/8-F05T	Common spare parts
Rated voltage	600 V AC/DC				
Rated current	MAX.8A				
Crimping method	Screw crimping				
ProtectionClass(IEC 60529)	IP67				
Ambient temperature	-25~+85°C				
Crimping range	1.5mm ²				
Cable outlet diameter	8~14mm				
Length/Material Could be customized according to different enviroment ,like extrame tempreture and acid/alkali					

Field-wireable
Screw crimping
Screw-terminals

Product drawing	Product size	Pin Assignment

Form	7/8-M04S	7/8-F04S	7/8-M05S	7/8-F05S	Common spare parts
Rated voltage	600 V AC/DC				
Rated current	MAX.10A				
Crimping method	Screw crimping				
ProtectionClass(IEC 60529)	IP67				
Ambient temperature	-25~+85°C				
Crimping range	1.5mm ²				
Cable outlet diameter	8~14mm				
Length/Material Could be customized according to different enviroment ,like extrame tempreture and acid/alkali					

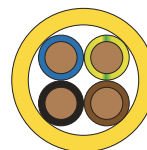
Optional cable:



grey/GY

Product Number:

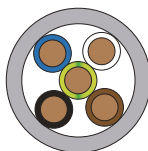
- PVC4coreGray line PVC4G1.5.GY
- PUR4coreGray line PUR4G1.5.GY
- DragChain4coreGray line TL4G1.5.GY



yellow/YE

Product Number:

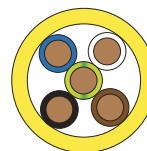
- PVC4coreYellow line PVC4G1.5.YE
- PUR4coreYellow line PUR4G1.5.YE
- DragChain4coreYellow line TL4G1.5.YE



grey/GY

Product Number:

- PVC5coreGray line PVC5G1.5.GY
- PUR5coreGray line PUR5G1.5.GY
- TL5coreGray line TL5G1.5.GY



yellow/YE

Product Number:

- PVC5coreYellow line PVC5G1.5.YE
- PUR5coreYellow line PUR5G1.5.YE
- TL5coreYellow line TL5G1.5.YE



Communicate Now

Data ,CAD,3D document please refer to: WWW.VELLEDQ.COM



ISO 9001 (2015) quality management system

7/8 connector designation

Pre-wired install
flange mounting

Product drawing	Product size	Hole drawing	Pin Assignment

Form	FLQ-7/8-M04(M24)	FLQ-7/8-F04(M24)	FLQ-7/8-M05(M24)	FLQ-7/8-F05(M24)	Common spare parts
Rated voltage	230/400 V AC/DC				
Rated current	MAX.10A				
ProtectionClass(IEC 60529)	IP67				
Ambient temperature	-25~+85°C				
Cable length	0.2m	0.3m	0.5m		
Length/Material Could be customized according to different environment ,like extrame temprature and acid/alkali					

Product drawing	Product size	Hole drawing	Pin Assignment

Form	FL-7/8-M04/F04(M25)	FL-7/8-M05/F05(M25)	Common spare parts
Rated voltage	250 V AC/DC		
Rated current	MAX.9A		
ProtectionClass(IEC 60529)	IP67		
Ambient temperature	-25~+85°C		
Length/Material Could be customized according to different enviroment ,like extrame temprature and acid/alkali			

T-type-connection

Product drawing	Product size	Circuit	Pin Assignment


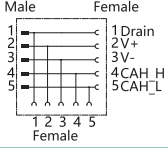
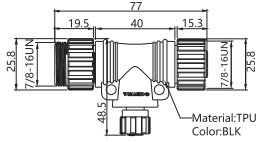
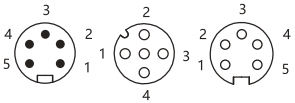
Form	T-7/8-M04/2F04	T-7/8-M05/2F05
Length/Material Could be customized according to different enviroment ,like extrame temprature and acid/alkali		
Rated voltage	250 V AC/DC	
Rated current	8A	
ProtectionClass(IEC 60529)	IP67	
Ambient temperature	-25~+85°C	



7/8 connector designation

T-type-connection



Product drawing	Circuit	Product size	Pin Assignment
			

Form	T-7/8-M05/7/8-F05/M12-F05
Length/Material Could be customized according to different enviroment ,like extrame pretreure and acid/alkali	
Rated voltage	125 V AC/DC
Rated current	4A
ProtectionClass(IEC 60529)	IP67
Ambient temperature	-25~ +85°C










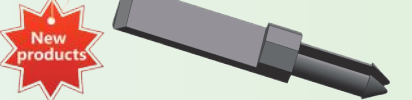


Data ,CAD,3D document please refer to: WWW.VELLEDQ.COM



Semiconductor connector BT Connector

Semiconductor connector (120coreWire harness) Material List

type	Material name	model	picture
10 types of plastic parts	Piercing 40 core female seat upper shell black A1 version	40-CP-SK-BK-A1	
	Piercing 40core female base lower shell black A1 version	40-CP-XK-BK-A1	
	Terminal strip fixing block black A1 version	BT-GDK-BK-A1	
	Rotating detent pin black A1 version	BT-KWX-BK-A1	
	40 pin terminal block black A1 version	BT-M40-DZP-BK-A1	
	Rear locking clamp black 01	BT-SXJ-BK-01	
	Rear locking clamp black 02	BT-SXJ-BK-02	
	120coreWire harnessRight housing black A1 version	BT-YWK-BK-A1	
	120coreWire harnessLeft housing black A1 version	BT-ZWK-BK-A1	
	Locating pin black A1 version	BT-XD-BK-A1	



Semiconductor connector BT Connector

Semiconductor connector (120coreWire harness) Material List

type	Material name	model	picture
insert needle and match piece	40corePiercing male pin A1 version	BT-M40-CZ-CP-A1	 * New products
	40coreMaterial belt type female needle A1 version	BT-F40-CZ-CP-A1	 * New products
	PVC120core0.2flatGray line	PVC120C0.2.BK	 * New products
	M4x25Round head self tapping screw	M4x25	 * New products
	M2.3x12Round head self tapping screw	M2.3x12	 * New products
	M3x25Round head self tapping screw	M3x25	 * New products



Data ,CAD,3D document please refer to: WWW.VELLEDQ.COM

7/8 Connector Harness



With open ended wires

Product drawing		Product size		Pins Assignment		
Material and Length		4core	4core	5core	5core	Common spare parts
PVC	grey3m	7/8-M04T-3.0PVC/GY	7/8-F04T-3.0PVC/GY	7/8-M05T-3.0PVC/GY	7/8-F05T-3.0PVC/GY	
PVC	grey5m	7/8-M04T-5.0PVC/GY	7/8-F04T-5.0PVC/GY	7/8-M05T-5.0PVC/GY	7/8-F05T-5.0PVC/GY	
PVC	grey10m	7/8-M04T-10.0PVC/GY	7/8-F04T-10.0PVC/GY	7/8-M05T-10.0PVC/GY	7/8-F05T-10.0PVC/GY	
PUR	grey3m	7/8-M04T-3.0PUR/GY	7/8-F04T-3.0PUR/GY	7/8-M05T-3.0PUR/GY	7/8-F05T-3.0PUR/GY	
PUR	grey5m	7/8-M04T-5.0PUR/GY	7/8-F04T-5.0PUR/GY	7/8-M05T-5.0PUR/GY	7/8-F05T-5.0PUR/GY	
PUR	grey10m	7/8-M04T-10.0PUR/GY	7/8-F04T-10.0PUR/GY	7/8-M05T-10.0PUR/GY	7/8-F05T-10.0PUR/GY	
DragChain	grey3m	7/8-M04T-3.0TL/GY	7/8-F04T-3.0TL/GY	7/8-M05T-3.0TL/GY	7/8-F05T-3.0TL/GY	
DragChain	grey5m	7/8-M04T-5.0TL/GY	7/8-F04T-5.0TL/GY	7/8-M05T-5.0TL/GY	7/8-F05T-5.0TL/GY	
DragChain	grey10m	7/8-M04T-10.0TL/GY	7/8-F04T-10.0TL/GY	7/8-M05T-10.0TL/GY	7/8-F05T-10.0TL/GY	
Yellow cable	YE					
Circuit						

With open ended wires

Product drawing		Product size		Pins Assignment		
Material and Length		4core	4core	5core	5core	Common spare parts
PVC	grey3m	7/8-M04S-3.0PVC/GY	7/8-F04S-3.0PVC/GY	7/8-M05S-3.0PVC/GY	7/8-F05S-3.0PVC/GY	
PVC	grey5m	7/8-M04S-5.0PVC/GY	7/8-F04S-5.0PVC/GY	7/8-M05S-5.0PVC/GY	7/8-F05S-5.0PVC/GY	
PVC	grey10m	7/8-M04S-10.0PVC/GY	7/8-F04S-10.0PVC/GY	7/8-M05S-10.0PVC/GY	7/8-F05S-10.0PVC/GY	
PUR	grey3m	7/8-M04S-3.0PUR/GY	7/8-F04S-3.0PUR/GY	7/8-M05S-3.0PUR/GY	7/8-F05S-3.0PUR/GY	
PUR	grey5m	7/8-M04S-5.0PUR/GY	7/8-F04S-5.0PUR/GY	7/8-M05S-5.0PUR/GY	7/8-F05S-5.0PUR/GY	
PUR	grey10m	7/8-M04S-10.0PUR/GY	7/8-F04S-10.0PUR/GY	7/8-M05S-10.0PUR/GY	7/8-F05S-10.0PUR/GY	
DragChain	grey3m	7/8-M04S-3.0TL/GY	7/8-F04S-3.0TL/GY	7/8-M05S-3.0TL/GY	7/8-F05S-3.0TL/GY	
DragChain	grey5m	7/8-M04S-5.0TL/GY	7/8-F04S-5.0TL/GY	7/8-M05S-5.0TL/GY	7/8-F05S-5.0TL/GY	
DragChain	grey10m	7/8-M04S-10.0TL/GY	7/8-F04S-10.0TL/GY	7/8-M05S-10.0TL/GY	7/8-F05S-10.0TL/GY	
Yellow cable	YE					
Circuit						

Length/Material Could be customized according to different environment ,like extrame tempreture and acid/alkali

Rated voltage	230/400 V AC/DC
Rated current	MAX.10A
ProtectionClass(IEC 60529)	IP67
Ambient temperature	-25~+85°C
Cable specification	4G1.5mm ² 4G1.5mm ² 5G1.5mm ² 5G1.5mm ²



Data ,CAD,3D document please refer to: WWW.VELLEDQ.COM



ISO 9001 (2015) quality management system

7/8 Connector Harness

Double end pre cast wire harness

Product drawing	Product size		Pins Assignment	
Material and Length	4core		5core	
PVC grey3m	7/8-M04T/M04T-3.0PVC/GY		7/8-M05T/M05T-3.0PVC/GY	
PVC grey5m	7/8-M04T/M04T-5.0PVC/GY		7/8-M05T/M05T-5.0PVC/GY	
PVC grey10m	7/8-M04T/M04T-10.0PVC/GY		7/8-M05T/M05T-10.0PVC/GY	
PUR grey3m	7/8-M04T/M04T-3.0PUR/GY		7/8-M05T/M05T-3.0PUR/GY	
PUR grey5m	7/8-M04T/M04T-5.0PUR/GY		7/8-M05T/M05T-5.0PUR/GY	
PUR grey10m	7/8-M04T/M04T-10.0PUR/GY		7/8-M05T/M05T-10.0PUR/GY	
DragChain grey3m	7/8-M04T/M04T-3.0TL/GY		7/8-M05T/M05T-3.0TL/GY	
DragChain grey5m	7/8-M04T/M04T-5.0TL/GY		7/8-M05T/M05T-5.0TL/GY	
DragChain grey10m	7/8-M04T/M04T-10.0TL/GY		7/8-M05T/M05T-10.0TL/GY	
Yellow cable YE				
Circuit				

Double end pre cast wire harness

Product drawing	Product size		Pins Assignment	
Material and Length	4core		5core	
PVC grey3m	7/8-M04T/F04T-3.0PVC/GY		7/8-M05T/F05T-3.0PVC/GY	
PVC grey5m	7/8-M04T/F04T-5.0PVC/GY		7/8-M05T/F05T-5.0PVC/GY	
PVC grey10m	7/8-M04T/F04T-10.0PVC/GY		7/8-M05T/F05T-10.0PVC/GY	
PUR grey3m	7/8-M04T/F04T-3.0PUR/GY		7/8-M05T/F05T-3.0PUR/GY	
PUR grey5m	7/8-M04T/F04T-5.0PUR/GY		7/8-M05T/F05T-5.0PUR/GY	
PUR grey10m	7/8-M04T/F04T-10.0PUR/GY		7/8-M05T/F05T-10.0PUR/GY	
DragChain grey3m	7/8-M04T/F04T-3.0TL/GY		7/8-M05T/F05T-3.0TL/GY	
DragChain grey5m	7/8-M04T/F04T-5.0TL/GY		7/8-M05T/F05T-5.0TL/GY	
DragChain grey10m	7/8-M04T/F04T-10.0TL/GY		7/8-M05T/F05T-10.0TL/GY	
Yellow cable YE				
Circuit				

Length/Material Could be customized according to different enviroment ,like extrame tempreture and acid/alkali

Rated voltage	230/400 V AC/DC	
Rated current	MAX.10A	
ProtectionClass(IEC 60529)	IP67	
Ambient temperature	-25~+85°C	
Cable specification	4G1.5mm ²	5G1.5mm ²



Data ,CAD,3D document please refer to: WWW.VELLEDQ.COM



ISO 9001 (2015) quality management system

7/8 Connector Harness

Double end pre cast wire harness

Product drawing		Product size		Pins Assignment
Material and Length		4core	5core	
PVC	grey3m	7/8-M04T/M04S-3.0PVC/GY	7/8-M05T/M05S-3.0PVC/GY	
PVC	grey5m	7/8-M04T/M04S-5.0PVC/GY	7/8-M05T/M05S-5.0PVC/GY	
PVC	grey10m	7/8-M04T/M04S-10.0PVC/GY	7/8-M05T/M05S-10.0PVC/GY	
PUR	grey3m	7/8-M04T/M04S-3.0PUR/GY	7/8-M05T/M05S-3.0PUR/GY	
PUR	grey5m	7/8-M04T/M04S-5.0PUR/GY	7/8-M05T/M05S-5.0PUR/GY	
PUR	grey10m	7/8-M04T/M04S-10.0PUR/GY	7/8-M05T/M05S-10.0PUR/GY	
DragChain	grey3m	7/8-M04T/M04S-3.0TL/GY	7/8-M05T/M05S-3.0TL/GY	
DragChain	grey5m	7/8-M04T/M04S-5.0TL/GY	7/8-M05T/M05S-5.0TL/GY	
DragChain	grey10m	7/8-M04T/M04S-10.0TL/GY	7/8-M05T/M05S-10.0TL/GY	
Yellow cable	YE			
Circuit				

Double end pre cast wire harness

Product drawing		Product size		Pins Assignment
Material and Length		4core	5core	
PVC	grey3m	7/8-M04T/F04S-3.0PVC/GY	7/8-M05T/F05S-3.0PVC/GY	
PVC	grey5m	7/8-M04T/F04S-5.0PVC/GY	7/8-M05T/F05S-5.0PVC/GY	
PVC	grey10m	7/8-M04T/F04S-10.0PVC/GY	7/8-M05T/F05S-10.0PVC/GY	
PUR	grey3m	7/8-M04T/F04S-3.0PUR/GY	7/8-M05T/F05S-3.0PUR/GY	
PUR	grey5m	7/8-M04T/F04S-5.0PUR/GY	7/8-M05T/F05S-5.0PUR/GY	
PUR	grey10m	7/8-M04T/F04S-10.0PUR/GY	7/8-M05T/F05S-10.0PUR/GY	
DragChain	grey3m	7/8-M04T/F04S-3.0TL/GY	7/8-M05T/F05S-3.0TL/GY	
DragChain	grey5m	7/8-M04T/F04S-5.0TL/GY	7/8-M05T/F05S-5.0TL/GY	
DragChain	grey10m	7/8-M04T/F04S-10.0TL/GY	7/8-M05T/F05S-10.0TL/GY	
Yellow cable	YE			
Circuit				

Length/Material Could be customized according to different enviroment ,like extrame temprature and acid/alkali

Rated voltage	230/400 V AC/DC	
Rated current	MAX.10A	
ProtectionClass(IEC 60529)	IP67	
Ambient temperature	-25~+85°C	
Cable specification	4G1.5mm ²	5G1.5mm ²



7/8 Connector Harness

Double end pre cast wire harness

Product drawing	Product size	Pins Assignment

Material and Length	4core	Circuit	5core	Circuit
PVC	black3m	7/8-M04T/M12-F04T-3.0PVC/BK	7/8-M05T/M12-F05T-3.0PVC/BK	
PVC	black5m	7/8-M04T/M12-F04T-5.0PVC/BK	7/8-M05T/M12-F05T-5.0PVC/BK	
PVC	black10m	7/8-M04T/M12-F04T-10.0PVC/BK	7/8-M05T/M12-F05T-10.0PVC/BK	
PUR	black3m	7/8-M04T/M12-F04T-3.0PUR/BK	7/8-M05T/M12-F05T-3.0PUR/BK	
PUR	black5m	7/8-M04T/M12-F04T-5.0PUR/BK	7/8-M05T/M12-F05T-5.0PUR/BK	
PUR	black10m	7/8-M04T/M12-F04T-10.0PUR/BK	7/8-M05T/M12-F05T-10.0PUR/BK	
DragChain	black3m	7/8-M04T/M12-F04T-3.0TL/BK	7/8-M05T/M12-F05T-3.0TL/BK	
DragChain	black5m	7/8-M04T/M12-F04T-5.0TL/BK	7/8-M05T/M12-F05T-5.0TL/BK	
DragChain	black10m	7/8-M04T/M12-F04T-10.0TL/BK	7/8-M05T/M12-F05T-10.0TL/BK	

Yellow cable YE

Length/Material Could be customized according to different enviroment ,like extrame temprature and acid/alkali

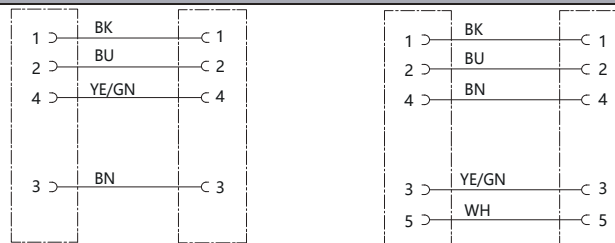
Rated voltage	250V
Rated current	4 A
ProtectionClass(IEC 60529)	IP67
Ambient temperature	-0~+60°C(move) -5~+60°C(regular)
Cable specification	4*0.34mm²

Product drawing	Product size	Pins Assignment

Material and Length	4core	5core	
PVC	grey3m	7/8-2F04T-3.0PVC/GY	7/8-2F05T-3.0PVC/GY
PVC	grey5m	7/8-2F04T-5.0PVC/GY	7/8-2F05T-5.0PVC/GY
PVC	grey10m	7/8-2F04T-10.0PVC/GY	7/8-2F05T-10.0PVC/GY
PUR	grey3m	7/8-2F04T-3.0PUR/GY	7/8-2F05T-3.0PUR/GY
PUR	grey5m	7/8-2F04T-5.0PUR/GY	7/8-2F05T-5.0PUR/GY
PUR	grey10m	7/8-2F04T-10.0PUR/GY	7/8-2F05T-10.0PUR/GY
DragChain	grey3m	7/8-2F04T-3.0TL/GY	7/8-2F05T-3.0TL/GY
DragChain	grey5m	7/8-2F04T-5.0TL/GY	7/8-2F05T-5.0TL/GY
DragChain	grey10m	7/8-2 F04T-10.0TL/GY	7/8-2F05T-10.0TL/GY

Yellow cable YE

Circuit



Length/Material Could be customized according to different enviroment ,like extrame temprature and acid/alkali

Rated voltage	230/400 V AC/DC
Rated current	MAX.10A
ProtectionClass(IEC 60529)	IP67
Ambient temperature	-25~+85°C
Cable specification	4G1.5mm² 5G1.5mm²



Data ,CAD,3D document please refer to: WWW.VELLEDQ.COM



ISO 9001 (2015) quality management system

7/8 Connector Harness



Double end pre cast wire harness

Product drawing		Product size		Pins Assignment	
Material and Length		4core		5core	
PVC	grey3m	7/8-F04T/M04S-3.0PVC/GY		7/8-F05T/M05S-3.0PVC/GY	
PVC	grey5m	7/8-F04T/M04S-5.0PVC/GY		7/8-F05T/M05S-5.0PVC/GY	
PVC	grey10m	7/8-F04T/M04S-10.0PVC/GY		7/8-F05T/M05S-10.0PVC/GY	
PUR	grey3m	7/8-F04T/M04S-3.0PUR/GY		7/8-F05T/M05S-3.0PUR/GY	
PUR	grey5m	7/8-F04T/M04S-5.0PUR/GY		7/8-F05T/M05S-5.0PUR/GY	
PUR	grey10m	7/8-F04T/M04S-10.0PUR/GY		7/8-F05T/M05S-10.0PUR/GY	
DragChain	grey3m	7/8-F04T/M04S-3.0TL/GY		7/8-F05T/M05S-3.0TL/GY	
DragChain	grey5m	7/8-F04T/M04S-5.0TL/GY		7/8-F05T/M05S-5.0TL/GY	
DragChain	grey10m	7/8-F04T/M04S-10.0TL/GY		7/8-F05T/M05S-10.0TL/GY	
Yellow cable	YE				
Circuit					

Double end pre cast wire harness

Product drawing		Product size		Pins Assignment	
Material and Length		4core		5core	
PVC	grey3m	7/8-F04T/F04S-3.0PVC/GY		7/8-F05T/F05S-3.0PVC/GY	
PVC	grey5m	7/8-F04T/F04S-5.0PVC/GY		7/8-F05T/F05S-5.0PVC/GY	
PVC	grey10m	7/8-F04T/F04S-10.0PVC/GY		7/8-F05T/F05S-10.0PVC/GY	
PUR	grey3m	7/8-F04T/F04S-3.0PUR/GY		7/8-F05T/F05S-3.0PUR/GY	
PUR	grey5m	7/8-F04T/F04S-5.0PUR/GY		7/8-F05T/F05S-5.0PUR/GY	
PUR	grey10m	7/8-F04T/F04S-10.0PUR/GY		7/8-F05T/F05S-10.0PUR/GY	
DragChain	grey3m	7/8-F04T/F04S-3.0TL/GY		7/8-F05T/F05S-3.0TL/GY	
DragChain	grey5m	7/8-F04T/F04S-5.0TL/GY		7/8-F05T/F05S-5.0TL/GY	
DragChain	grey10m	7/8-F04T/F04S-10.0TL/GY		7/8-F05T/F05S-10.0TL/GY	
Yellow cable	YE				
Circuit					

Length/Material Could be customized according to different enviroment ,like extrame temperture and acid/alkali

Rated voltage	230/400 V AC/DC	
Rated current	MAX.10A	
ProtectionClass(IEC 60529)	IP67	
Ambient temperature	-25~+85°C	
Cable specification	4G1.5mm ²	5G1.5mm ²



Data ,CAD,3D document please refer to: WWW.VELLEDQ.COM



ISO 9001 (2015) quality management system

7/8 Connector Harness

Double end pre cast wire harness

Product drawing		Product size		Pins Assignment	
Material and Length		4core		5core	
PVC	grey3m	7/8-2M04S-3.0PVC/GY		7/8-2M05S-3.0PVC/GY	
PVC	grey5m	7/8-2M04S-5.0PVC/GY		7/8-2M05S-5.0PVC/GY	
PVC	grey10m	7/8-2M04S-10.0PVC/GY		7/8-2M05S-10.0PVC/GY	
PUR	grey3m	7/8-2M04S-3.0PUR/GY		7/8-2M05S-3.0PUR/GY	
PUR	grey5m	7/8-2M04S-5.0PUR/GY		7/8-2M05S-5.0PUR/GY	
PUR	grey10m	7/8-2M04S-10.0PUR/GY		7/8-2M05S-10.0PUR/GY	
DragChain	grey3m	7/8-2M04S-3.0TL/GY		7/8-2M05S-3.0TL/GY	
DragChain	grey5m	7/8-2M04S-5.0TL/GY		7/8-2M05S-5.0TL/GY	
DragChain	grey10m	7/8-2M04S-10.0TL/GY		7/8-2M05S-10.0TL/GY	
Yellow cable	YE				
Circuit					

Double end pre cast wire harness

Product drawing		Product size		Pins Assignment	
Material and Length		4core		5core	
PVC	grey3m	7/8-M04S/F04S-3.0PVC/GY		7/8-M05S/F05S-3.0PVC/GY	
PVC	grey5m	7/8-M04S/F04S-5.0PVC/GY		7/8-M05S/F05S-5.0PVC/GY	
PVC	grey10m	7/8-M04S/F04S-10.0PVC/GY		7/8-M05S/F05S-10.0PVC/GY	
PUR	grey3m	7/8-M04S/F04S-3.0PUR/GY		7/8-M05S/F05S-3.0PUR/GY	
PUR	grey5m	7/8-M04S/F04S-5.0PUR/GY		7/8-M05S/F05S-5.0PUR/GY	
PUR	grey10m	7/8-M04S/F04S-10.0PUR/GY		7/8-M05S/F05S-10.0PUR/GY	
DragChain	grey3m	7/8-M04S/F04S-3.0TL/GY		7/8-M05S/F05S-3.0TL/GY	
DragChain	grey5m	7/8-M04S/F04S-5.0TL/GY		7/8-M05S/F05S-5.0TL/GY	
DragChain	grey10m	7/8-M04S/F04S-10.0TL/GY		7/8-M05S/F05S-10.0TL/GY	
Yellow cable	YE				
Circuit					

Length/Material Could be customized according to different environment, like extreme temperature and acid/alkali

Rated voltage	230/400 V AC/DC	
Rated current	MAX.10A	
ProtectionClass(IEC 60529)	IP67	
Ambient temperature	-25~+85°C	
Cable specification	4G1.5mm ²	5G1.5mm ²



Data, CAD, 3D document please refer to: WWW.VELLEDQ.COM



ISO 9001 (2015) quality management system

7/8 Connector Harness

Double end pre cast wire harness

Product drawing		Product size		Pins Assignment	
Material and Length		4core		5core	
PVC	grey3m	7/8-2F04S-3.0PVC/GY		7/8-2F05S-3.0PVC/GY	
PVC	grey5m	7/8-2F04S-5.0PVC/GY		7/8-2F05S-5.0PVC/GY	
PVC	grey10m	7/8-2F04S-10.0PVC/GY		7/8-2F05S-10.0PVC/GY	
PUR	grey3m	7/8-2F04S-3.0PUR/GY		7/8-2F05S-3.0PUR/GY	
PUR	grey5m	7/8-2F04S-5.0PUR/GY		7/8-2F05S-5.0PUR/GY	
PUR	grey10m	7/8-2F04S-10.0PUR/GY		7/8-2F05S-10.0PUR/GY	
DragChain	grey3m	7/8-2F04S-3.0TL/GY		7/8-2F05S-3.0TL/GY	
DragChain	grey5m	7/8-2F04S-5.0TL/GY		7/8-2F05S-5.0TL/GY	
DragChain	grey10m	7/8-2F04S-10.0TL/GY		7/8-2F05S-10.0TL/GY	
Yellow cable	YE				
Circuit					

With open ended wires Flange mounting

Product drawing		Hole drawing		Product size		Pins Assignment	
Material and Length		4core		5core		Common spare parts	
PVC	grey3m	FLQ-7/8-M04T(M25)-3.0PVC/GY		FLQ-7/8-M05T(M25)-3.0PVC/GY			
PVC	grey5m	FLQ-7/8-M04T(M25)-5.0PVC/GY		FLQ-7/8-M05T(M25)-5.0PVC/GY			
PVC	grey10m	FLQ-7/8-M04T(M25)-10.0PVC/GY		FLQ-7/8-M05T(M25)-10.0PVC/GY			
PUR	grey3m	FLQ-7/8-M04T(M25)-3.0PUR/GY		FLQ-7/8-M05T(M25)-3.0PUR/GY			
PUR	grey5m	FLQ-7/8-M04T(M25)-5.0PUR/GY		FLQ-7/8-M05T(M25)-5.0PUR/GY			
PUR	grey10m	FLQ-7/8-M04T(M25)-10.0PUR/GY		FLQ-7/8-M05T(M25)-10.0PUR/GY			
DragChain	grey3m	FLQ-7/8-M04T(M25)-3.0TL/GY		FLQ-7/8-M05T(M25)-3.0TL/GY			
DragChain	grey5m	FLQ-7/8-M04T(M25)-5.0TL/GY		FLQ-7/8-M05T(M25)-5.0TL/GY			
DragChain	grey10m	FLQ-7/8-M04T(M25)-10.0TL/GY		FLQ-7/8-M05T(M25)-10.0TL/GY			
Yellow cable	YE						
Circuit							

Length/Material Could be customized according to different environment, like extreme temperature and acid/alkali

Rated voltage	230/400 V AC/DC	
Rated current	MAX.10A	
ProtectionClass(IEC 60529)	IP67	
Ambient temperature	-25~+85°C	
Cable specification	4G1.5mm ²	5G1.5mm ²



Data, CAD, 3D document please refer to: WWW.VELLEDQ.COM

7/8 Connector Harness

With open ended wires Flange mounting

Product drawing	Hole drawing	Product size	Pins Assignment

Material and Length		4core	5core	Common spare parts
PVC	grey3m	FLQ-7/8-F04T(M25)-3.0PVC/GY	FLQ-7/8-F05T(M25)-3.0PVC/GY	
PVC	grey5m	FLQ-7/8-F04T(M25)-5.0PVC/GY	FLQ-7/8-F05T(M25)-5.0PVC/GY	
PVC	grey10m	FLQ-7/8-F04T(M25)-10.0PVC/GY	FLQ-7/8-F05T(M25)-10.0PVC/GY	
PUR	grey3m	FLQ-7/8-F04T(M25)-3.0PUR/GY	FLQ-7/8-F05T(M25)-3.0PUR/GY	
PUR	grey5m	FLQ-7/8-F04T(M25)-5.0PUR/GY	FLQ-7/8-F05T(M25)-5.0PUR/GY	
PUR	grey10m	FLQ-7/8-F04T(M25)-10.0PUR/GY	FLQ-7/8-F05T(M25)-10.0PUR/GY	
DragChain	grey3m	FLQ-7/8-F04T(M25)-3.0TL/GY	FLQ-7/8-F05T(M25)-3.0TL/GY	
DragChain	grey5m	FLQ-7/8-F04T(M25)-5.0TL/GY	FLQ-7/8-F05T(M25)-5.0TL/GY	
DragChain	grey10m	FLQ-7/8-F04T(M25)-10.0TL/GY	FLQ-7/8-F05T(M25)-10.0TL/GY	

Yellow cable	YE		
Circuit			

With open ended wires Flange mounting

Product drawing	Hole drawing	Product size	Pins Assignment

Material and Length		4core	5core	Common spare parts
PVC	grey3m	FLH-7/8-M04T(M25)-3.0PVC/GY	FLH-7/8-M05T(M25)-3.0PVC/GY	
PVC	grey5m	FLH-7/8-M04T(M25)-5.0PVC/GY	FLH-7/8-M05T(M25)-5.0PVC/GY	
PVC	grey10m	FLH-7/8-M04T(M25)-10.0PVC/GY	FLH-7/8-M05T(M25)-10.0PVC/GY	
PUR	grey3m	FLH-7/8-M04T(M25)-3.0PUR/GY	FLH-7/8-M05T(M25)-3.0PUR/GY	
PUR	grey5m	FLH-7/8-M04T(M25)-5.0PUR/GY	FLH-7/8-M05T(M25)-5.0PUR/GY	
PUR	grey10m	FLH-7/8-M04T(M25)-10.0PUR/GY	FLH-7/8-M05T(M25)-10.0PUR/GY	
DragChain	grey3m	FLH-7/8-M04T(M25)-3.0TL/GY	FLH-7/8-M05T(M25)-3.0TL/GY	
DragChain	grey5m	FLH-7/8-M04T(M25)-5.0TL/GY	FLH-7/8-M05T(M25)-5.0TL/GY	
DragChain	grey10m	FLH-7/8-M04T(M25)-10.0TL/GY	FLH-7/8-M05T(M25)-10.0TL/GY	

Yellow cable	YE		
Circuit			

Length/Material Could be customized according to different enviroment ,like extrame temperture and acid/alkali

Rated voltage	230/400 V AC/DC	
Rated current	MAX.10A	
ProtectionClass(IEC 60529)	IP67	
Ambient temperature	-25~+85°C	
Cable specification	4G1.5mm ²	5G1.5mm ²



Data ,CAD,3D document please refer to: WWW.VELLEDQ.COM

7/8 Connector Harness

With open ended wires Flange mounting

Product drawing	Hole drawing	Product size	Pins Assignment

Material and Length		4core	5core	Common spare parts
PVC	grey3m	FLH-7/8-F04T(M25)-3.0PVC/GY	FLH-7/8-F05T(M25)-3.0PVC/GY	
PVC	grey5m	FLH-7/8-F04T(M25)-5.0PVC/GY	FLH-7/8-F05T(M25)-5.0PVC/GY	
PVC	grey10m	FLH-7/8-F04T(M25)-10.0PVC/GY	FLH-7/8-F05T(M25)-10.0PVC/GY	
PUR	grey3m	FLH-7/8-F04T(M25)-3.0PUR/GY	FLH-7/8-F05T(M25)-3.0PUR/GY	
PUR	grey5m	FLH-7/8-F04T(M25)-5.0PUR/GY	FLH-7/8-F05T(M25)-5.0PUR/GY	
PUR	grey10m	FLH-7/8-F04T(M25)-10.0PUR/GY	FLH-7/8-F05T(M25)-10.0PUR/GY	
DragChain	grey3m	FLH-7/8-F04T(M25)-3.0TL/GY	FLH-7/8-F05T(M25)-3.0TL/GY	
DragChain	grey5m	FLH-7/8-F04T(M25)-5.0TL/GY	FLH-7/8-F05T(M25)-5.0TL/GY	
DragChain	grey10m	FLH-7/8-F04T(M25)-10.0TL/GY	FLH-7/8-F05T(M25)-10.0TL/GY	

Yellow cable YE

Circuit

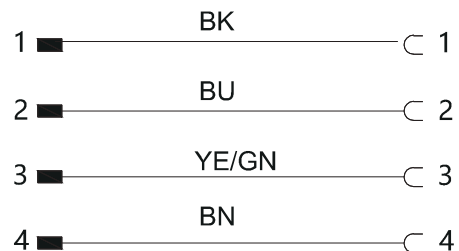


Double end pre cast wire harness
Flange mounting

Product drawing	Hole drawing	Product size	Pins Assignment

Material and Length		4core	4core	Circuit
PVC	grey3m	FLH-7/8-M04T(M25)/F04T-3.0PVC/GY		
PVC	grey5m	FLH-7/8-M04T(M25)/F04T-5.0PVC/GY		
PVC	grey10m	FLH-7/8-M04T(M25)/F04T-10.0PVC/GY		
PUR	grey3m	FLH-7/8-M04T(M25)/F04T-3.0PUR/GY		
PUR	grey5m	FLH-7/8-M04T(M25)/F04T-5.0PUR/GY		
PUR	grey10m	FLH-7/8-M04T(M25)/F04T-10.0PUR/GY		
DragChain	grey3m	FLH-7/8-M04T(M25)/F04T-3.0TL/GY		
DragChain	grey5m	FLH-7/8-M04T(M25)/F04T-5.0TL/GY		
DragChain	grey10m	FLH-7/8-M04T(M25)/F04T-10.0TL/GY		

Yellow cable YE



Length/Material Could be customized according to different enviroment ,like extrame temperture and acid/alkali

Rated voltage	230/400 V AC/DC
Rated current	MAX.10A
ProtectionClass(IEC 60529)	IP67
Ambient temperature	-25~ +85°C
Cable specification	4G1.5mm ² 5G1.5mm ²



7/8 Connector Harness

Double end pre cast wire harness Flange mounting

Product drawing	Hole drawing	Product size	Pins Assignment

Material and Length			Score	Circuit
PVC	grey3m	FLH-7/8-M05T(M25)/F05T(M25)-3.0PVC/GY		BK — 1 BU — 2 YE/GN — 3 BN — 4 WH — 5
PVC	grey5m	FLH-7/8-M05T(M25)/F05T(M25)-5.0PVC/GY		
PVC	grey10m	FLH-7/8-M05T(M25)/F05T(M25)-10.0PVC/GY		
PUR	grey3m	FLH-7/8-M05T(M25)/F05T(M25)-3.0PUR/GY		
PUR	grey5m	FLH-7/8-M05T(M25)/F05T(M25)-5.0PUR/GY		
PUR	grey10m	FLH-7/8-M05T(M25)/F05T(M25)-10.0PUR/GY		
DragChain	grey3m	FLH-7/8-M05T(M25)/F05T(M25)-3.0TL/GY		
DragChain	grey5m	FLH-7/8-M05T(M25)/F05T(M25)-5.0TL/GY		
DragChain	grey10m	FLH-7/8-M05T(M25)/F05T(M25)-10.0TL/GY		
Yellow cable				

Double end pre cast wire harness Flange mounting

Product drawing	Hole drawing	Product size	Pins Assignment

Material and Length			4core	4core	Circuit
PVC	grey3m	FLH-7/8-M04T(M25)/F04T-3.0PVC/GY		BK — 1 BU — 2 YE/GN — 3 BN — 4	
PVC	grey5m	FLH-7/8-M04T(M25)/F04T-5.0PVC/GY			
PVC	grey10m	FLH-7/8-M04T(M25)/F04T-10.0PVC/GY			
PUR	grey3m	FLH-7/8-M04T(M25)/F04T-3.0PUR/GY			
PUR	grey5m	FLH-7/8-M04T(M25)/F04T-5.0PUR/GY			
PUR	grey10m	FLH-7/8-M04T(M25)/F04T-10.0PUR/GY			
DragChain	grey3m	FLH-7/8-M04T(M25)/F04T-3.0TL/GY			
DragChain	grey5m	FLH-7/8-M04T(M25)/F04T-5.0TL/GY			
DragChain	grey10m	FLH-7/8-M04T(M25)/F04T-10.0TL/GY			
Yellow cable					YE

Length/Material Could be customized according to different environment, like extreme temperature and acid/alkali

Rated voltage	230/400 V AC/DC
Rated current	MAX.10A
ProtectionClass(IEC 60529)	IP67
Ambient temperature	-25~+85°C
Cable specification	4G1.5mm ² 5G1.5mm ²



Data ,CAD,3D document please refer to: WWW.VELLEDQ.COM



ISO 9001 (2015) quality management system

7/8 Connector Harness

Double end pre cast wire harness Flange mounting

Product drawing	Hole drawing	Product size	Pins Assignment

Material and Length		Score	Score	Circuit
PVC	grey3m	FLH-7/8-M05T(M25)/M05T(M25)-3.0PVC/GY		1 — BK — 1
PVC	grey5m	FLH-7/8-M05T(M25)/M05T(M25)-5.0PVC/GY		
PVC	grey10m	FLH-7/8-M05T(M25)/M05T(M25)-10.0PVC/GY		2 — BU — 2
PUR	grey3m	FLH-7/8-M05T(M25)/M05T(M25)-3.0PUR/GY		
PUR	grey5m	FLH-7/8-M05T(M25)/M05T(M25)-5.0PUR/GY		3 — YE/GN — 3
PUR	grey10m	FLH-7/8-M05T(M25)/M05T(M25)-10.0PUR/GY		
DragChain	grey3m	FLH-7/8-M05T(M25)/M05T(M25)-3.0TL/GY		4 — BN — 4
DragChain	grey5m	FLH-7/8-M05T(M25)/M05T(M25)-5.0TL/GY		
DragChain	grey10m	FLH-7/8-M05T(M25)/F05T(M25)-10.0TL/GY		WH
Yellow cable		YE		

Product drawing	Hole drawing	Product size	Pins Assignment

Material and Length		Score	Score	Circuit
PVC	grey3m	FLH-7/8-F05T(M25)/F05T(M25)-3.0PVC/GY		1 ⌋ BK — 1
PVC	grey5m	FLH-7/8-F05T(M25)/F05T(M25)-5.0PVC/GY		
PVC	grey10m	FLH-7/8-F05T(M25)/F05T(M25)-10.0PVC/GY		2 ⌋ BU — 2
PUR	grey3m	FLH-7/8-F05T(M25)/F05T(M25)-3.0PUR/GY		
PUR	grey5m	FLH-7/8-F05T(M25)/F05T(M25)-5.0PUR/GY		3 ⌋ YE/GN — 3
PUR	grey10m	FLH-7/8-F05T(M25)/F05T(M25)-10.0PUR/GY		
DragChain	grey3m	FLH-7/8-F05T(M25)/F05T(M25)-3.0TL/GY		4 ⌋ BN — 4
DragChain	grey5m	FLH-7/8-F05T(M25)/F05T(M25)-5.0TL/GY		
DragChain	grey10m	FLH-7/8-F05T(M25)/F05T(M25)-10.0TL/GY		5 ⌋ WH — 5
Yellow cable		YE		

Length/Material Could be customized according to different enviroment ,like extrame tempreture and acid/alkali

Rated voltage	230/400 V AC/DC
Rated current	MAX.10A
ProtectionClass(IEC 60529)	IP67
Ambient temperature	-25~+85°C
Cable specification	4G1.5mm ² 5G1.5mm ²

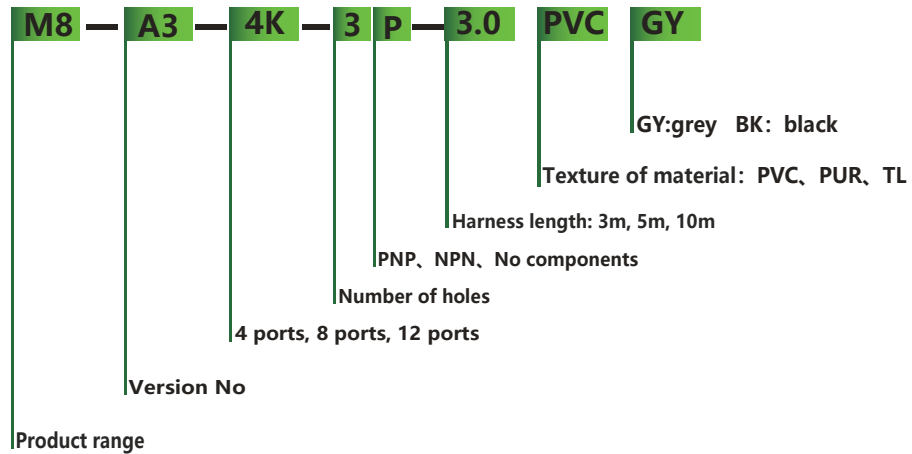




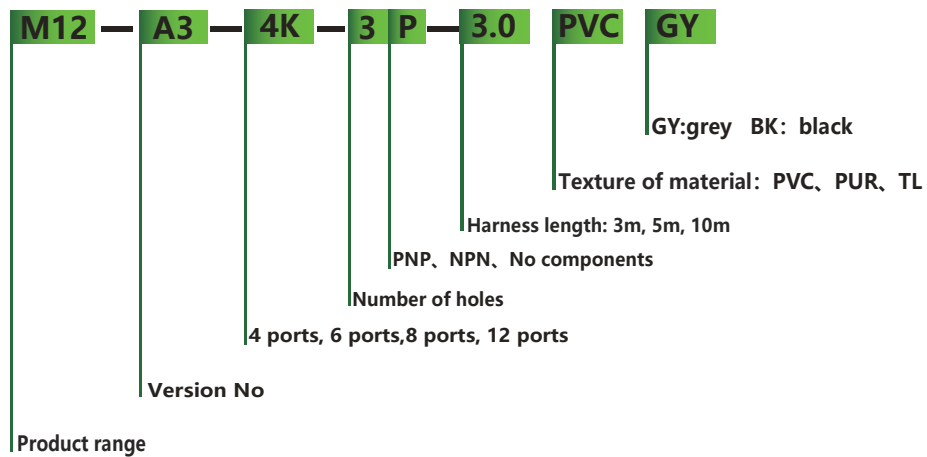
M8 /M12 Junction Box



M8 Connector Harness Naming



M12 Connector Harness Naming



Junction Box

Product drawing		Product size		Pins Assignment	
		M8-A3-4K3P-3.0PVC/GY Circuit		M8-A3-4K3N-3.0PVC/GY Circuit	
PVC	grey3m	M8-A3-4K3P-3.0PVC/GY	M8-A3-4K3N-3.0PVC/GY		
PVC	grey5m	M8-A3-4K3P-5.0PVC/GY	M8-A3-4K3N-5.0PVC/GY		
PVC	grey10m	M8-A3-4K3P-10.0PVC/GY	M8-A3-4K3N-10.0PVC/GY		
PUR	grey3m	M8-A3-4K3P-3.0PUR/GY	M8-A3-4K3N-3.0PUR/GY		
PUR	grey5m	M8-A3-4K3P-5.0PUR/GY	M8-A3-4K3N-5.0PUR/GY		
PUR	grey10m	M8-A3-4K3P-10.0PUR/GY	M8-A3-4K3N-10.0PUR/GY		
Towchain	grey3m	M8-A3-4K3P-3.0TL/GY	M8-A3-4K3N-3.0TL/GY		
Towchain	grey5m	M8-A3-4K3P-5.0TL/GY	M8-A3-4K3N-5.0TL/GY		
Towchain	grey10m	M8-A3-4K3P-10.0TL/GY	M8-A3-4K3N-10.0TL/GY		

Product drawing		Product size		Pins Assignment	
				Circuit	
PVC	grey3m	M8-A3-4K3-3.0PVC/GY			
PVC	grey5m	M8-A3-4K3-5.0PVC/GY			
PVC	grey10m	M8-A3-4K3-10.0PVC/GY			
PUR	grey3m	M8-A3-4K3-3.0PUR/GY			
PUR	grey5m	M8-A3-4K3-5.0PUR/GY			
PUR	grey10m	M8-A3-4K3-10.0PUR/GY			
Towchain	grey3m	M8-A3-4K3-3.0TL/GY			
Towchain	grey5m	M8-A3-4K3-5.0TL/GY			
Towchain	grey10m	M8-A3-4K3-10.0TL/GY			

Product drawing		Product size		Pins Assignment	
		M8-A3-4K3P-M12 Circuit		M8-A3-4K3N-M12 Circuit	
Form					
Length/Material Could be customized according to different enviroment , like extrame temprature and acid/alkali					
Rated voltage	24 V AC/DC				
Rated current	4A				
ProtectionClass(IEC 60529)	IP67				
Ambient temperature	-25~+85°C				



Data ,CAD,3D document please refer to: WWW.VELLEDQ.COM

Junction Box

Matching cable of junction box



PVC	black3m	M12-F08T06-3.0PVC/BK	M12-F08S06-3.0PVC/BK
PVC	black5m	M12-F08T06-5.0PVC/BK	M12-F08S06-5.0PVC/BK
PVC	black10m	M12-F08T06-10.0PVC/BK	M12-F08S06-10.0PVC/BK
PUR	black3m	M12-F08T06-3.0PUR/BK	M12-F08S06-3.0PUR/BK
PUR	black5m	M12-F08T06-5.0PUR/BK	M12-F08S06-5.0PUR/BK
PUR	black10m	M12-F08T06-10.0PUR/BK	M12-FS08S06-10.0PUR/BK
Towchain	black3m	M12-F08T06-3.0TL/BK	M12-F08S06-3.0TL/BK
Towchain	black5m	M12-F08T06-5.0TL/BK	M12-F08S06-5.0TL/BK
Towchain	black10m	M12-F08T06-10.0TL/BK	M12-F08S06-10.0TL/BK

Product drawing	Product size	Circuit	Pins Assignment
			 single channel No components
Form	M8-A3-4K3-M12		

Matching cable of junction box



PVC	black3m	M12-F08T06-3.0PVC/BK	M12-F08S06-3.0PVC/BK
PVC	black5m	M12-F08T06-5.0PVC/BK	M12-F08S06-5.0PVC/BK
PVC	black10m	M12-F08T06-10.0PVC/BK	M12-F08S06-10.0PVC/BK
PUR	black3m	M12-F08T06-3.0PUR/BK	M12-F08S06-3.0PUR/BK
PUR	black5m	M12-F08T06-5.0PUR/BK	M12-F08S06-5.0PUR/BK
PUR	black10m	M12-F08T06-10.0PUR/BK	M12-F08S06-10.0PUR/BK
Towchain	black3m	M12-F08T06-3.0TL/BK	M12-F08S06-3.0TL/BK
Towchain	black5m	M12-F08T06-5.0TL/BK	M12-F08S06-5.0TL/BK
Towchain	black10m	M12-F08T06-10.0TL/BK	M12-F08S06-10.0TL/BK

Product drawing	Product size	Pins Assignment
		 single channel single channel
	M8-A3-8K3P-3.0PVC/GY	Circuit

PVC	grey3m	M8-A3-8K3P-3.0PVC/GY	M8-A3-8K3N-3.0PVC/GY	Circuit
PVC	grey5m	M8-A3-8K3P-5.0PVC/GY	M8-A3-8K3N-5.0PVC/GY	
PVC	grey10m	M8-A3-8K3P-10.0PVC/GY	M8-A3-8K3N-10.0PVC/GY	Circuit
PUR	grey3m	M8-A3-8K3P-3.0PUR/GY	M8-A3-8K3N-3.0PUR/GY	
PUR	grey5m	M8-A3-8K3P-5.0PUR/GY	M8-A3-8K3N-5.0PUR/GY	Circuit
PUR	grey10m	M8-A3-8K3P-10.0PUR/GY	M8-A3-8K3N-10.0PUR/GY	
Towchain	grey 3m	M8-A3-8K3P-3.0TL/GY	M8-A3-8K3N-3.0TL/GY	Circuit
Towchain	grey 5m	M8-A3-8K3P-5.0TL/GY	M8-A3-8K3N-5.0TL/GY	
Towchain	grey 10m	M8-A3-8K3P-10.0TL/GY	M8-A3-8K3N-10.0TL/GY	



Junction Box

Product drawing	Product size	Pins Assignment

Circuit

PVC	grey3m	M8-A3-8K3-3.0PVC/GY
PVC	grey5m	M8-A3-8K3-5.0PVC/GY
PVC	grey10m	M8-A3-8K3-10.0PVC/GY
PUR	grey3m	M8-A3-8K3-3.0PUR/GY
PUR	grey5m	M8-A3-8K3-5.0PUR/GY
PUR	grey10m	M8-A3-8K3-10.0PUR/GY
Towchain	grey3m	M8-A3-8K3-3.0TL/GY
Towchain	grey5m	M8-A3-8K3-5.0TL/GY
Towchain	grey10m	M8-A3-8K3-10.0TL/GY

Length/Material Could be customized according to different enviroment ,like extrame tempreture and acid/alkali

Rated voltage	24 V DC
Rated current	2A
Cable specification	8*0.25mm ² +2*0.5mm ²
ProtectionClass(IEC 60529)	IP67
Ambient temperature	-25~+85°C

Product drawing	Product size	Circuit	Circuit	Pins Assignment

Form

M8-A3-8K3P-M23

M8-A3-8K3N-M23

Matching cable of junction box



PVC	grey3m	M23-F19T10-3.0PVC/GY	M23-F19S10-3.0PVC/GY
PVC	grey5m	M23-F19T10-5.0PVC/GY	M23-F19S10-5.0PVC/GY
PVC	grey10m	M23-F19T10-10.0PVC/GY	M23-F19S10-10.0PVC/GY
PUR	grey3m	M23-F19T10-3.0PUR/GY	M23-F19S10-3.0PUR/GY
PUR	grey5m	M23-F19T10-5.0PUR/GY	M23-F19S10-5.0PUR/GY
PUR	grey10m	M23-F19T10-10.0PUR/GY	M23-F19S10-10.0PUR/GY
Towchain	grey3m	M23-F19T10-3.0TL/GY	M23-F19S10-3.0TL/GY
Towchain	grey5m	M23-F19T10-5.0TL/GY	M23-F19S10-5.0TL/GY
Towchain	grey10m	M23-F19T10-10.0TL/GY	M23-F19S10-10.0TL/GY

Product drawing	Product size	Circuit	Pins Assignment

Form

M8-A3-8K3-M23



Data ,CAD,3D document please refer to: WWW.VELLEDQ.COM

Junction Box

Matching cable of junction box



PVC	grey3m	M23-F19T10-3.0PVC/GY	M23-F19S10-3.0PVC/GY
PVC	grey5m	M23-F19T10-5.0PVC/GY	M23-F19S10-5.0PVC/GY
PVC	grey10m	M23-F19T10-10.0PVC/GY	M23-F19S10-10.0PVC/GY
PUR	grey3m	M23-F19T10-3.0PUR/GY	M23-F19S10-3.0PUR/GY
PUR	grey5m	M23-F19T10-5.0PUR/GY	M23-F19S10-5.0PUR/GY
PUR	grey10m	M23-F19T10-10.0PUR/GY	M23-F19S10-10.0PUR/GY
Towchain	grey3m	M23-F19T10-3.0TL/GY	M23-F19S10-3.0TL/GY
Towchain	grey5m	M23-F19T10-5.0TL/GY	M23-F19S10-5.0TL/GY
Towchain	grey10m	M23-F19T10-10.0TL/GY	M23-F19S10-10.0TL/GY

Length/Material Could be customized according to different enviroment ,like extrame tempreture and acid/alkali

Rated voltage	24 V AC/DC
Rated current	2A
ProtectionClass(IEC 60529)	IP67
Ambient temperature	-25~+85°C

Product drawing	Product size	Pins Assignment

Circuit

PVC	grey3m	M8-A3-12K3P-3.0PVC/GY
PVC	grey5m	M8-A3-12K3P-5.0PVC/GY
PVC	grey10m	M8-A3-12K3P-10.0PVC/GY
PUR	grey3m	M8-A3-12K3P-3.0PUR/GY
PUR	grey5m	M8-A3-12K3P-5.0PUR/GY
PUR	grey10m	M8-A3-12K3P-10.0PUR/GY
Towchain	grey3m	M8-A3-12K3P-3.0TL/GY
Towchain	grey5m	M8-A3-12K3P-5.0TL/GY
Towchain	grey10m	M8-A3-12K3P-10.0TL/GY

Product drawing	Product size	Pins Assignment

Circuit

PVC	grey3m	M8-A3-12K3N-3.0PVC/GY
PVC	grey5m	M8-A3-12K3N-5.0PVC/GY
PVC	grey10m	M8-A3-12K3N-10.0PVC/GY
PUR	grey3m	M8-A3-12K3N-3.0PUR/GY
PUR	grey5m	M8-A3-12K3N-5.0PUR/GY
PUR	grey10m	M8-A3-12K3N-10.0PUR/GY
Towchain	grey3m	M8-A3-12K3N-3.0TL/GY
Towchain	grey5m	M8-A3-12K3N-5.0TL/GY
Towchain	grey10m	M8-A3-12K3N-10.0TL/GY



Junction Box

Product drawing	Product size	Pins Assignment

Circuit

PVC	grey3m	M8-A3-12K3-3.0PVC/GY
PVC	grey5m	M8-A3-12K3-5.0PVC/GY
PVC	grey10m	M8-A3-12K3-10.0PVC/GY
PUR	grey3m	M8-A3-12K3-3.0PUR/GY
PUR	grey5m	M8-A3-12K3-5.0PUR/GY
PUR	grey10m	M8-A3-12K3-10.0PUR/GY
Towchain	grey3m	M8-A3-12K3-3.0TL/GY
Towchain	grey5m	M8-A3-12K3-5.0TL/GY
Towchain	grey10m	M8-A3-12K3-10.0TL/GY

Length/Material Could be customized according to different enviroment ,like extrame tempreture and acid/alkali

Rated voltage	24 V DC
Rated current	2A
Cable specification	12*0.25mm ² +2*0.5mm ²
ProtectionClass(IEC 60529)	IP67
Ambient temperature	-25~+85°C

Product drawing	Product size	Pins Assignment

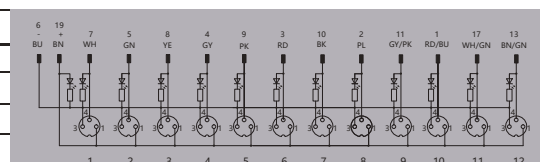
Form

Length/Material Could be customized according to different enviroment ,like extrame tempreture and acid/alkali

Rated voltage	24 V AC/DC
Rated current	2A
ProtectionClass(IEC 60529)	IP67
Ambient temperature	-25~+85°C

M8-A3-12K3P-M23

Circuit



Matching cable of junction box



PVC	grey3m	M23-F19T14-3.0PVC/GY	M23-F19S14-3.0PVC/GY
PVC	grey5m	M23-F19T14-5.0PVC/GY	M23-F19S14-5.0PVC/GY
PVC	grey10m	M23-F19T14-10.0PVC/GY	M23-F19S14-10.0PVC/GY
PUR	grey3m	M23-F19T14-3.0PUR/GY	M23-F19S14-3.0PUR/GY
PUR	grey5m	M23-F19T14-5.0PUR/GY	M23-F19S14-5.0PUR/GY
PUR	grey10m	M23-F19T14-10.0PUR/GY	M23-F19S14-10.0PUR/GY
Towchain	grey3m	M23-F19T14-3.0TL/GY	M23-F19S14-3.0TL/GY
Towchain	grey5m	M23-F19T14-5.0TL/GY	M23-F19S14-5.0TL/GY
Towchain	grey10m	M23-F19T14-10.0TL/GY	M23-F19S14-10.0TL/GY



Data ,CAD,3D document please refer to: WWW.VELLEDQ.COM

Junction Box



Product drawing	Product size	Pins Assignment

Form	M8-A3-12K3N-M23	Circuit
Length/Material Could be customized according to different enviroment , like extrame temprature and acid/alkali		
Rated voltage	24 V AC/DC	
Rated current	2A	
ProtectionClass(IEC 60529)	IP67	
Ambient temperature	-25~+85°C	

Matching cable of junction box



PVC	grey3m	M23-F19T14-3.0PVC/GY	M23-F19S14-3.0PVC/GY
PVC	grey5m	M23-F19T14-5.0PVC/GY	M23-F19S14-5.0PVC/GY
PVC	grey10m	M23-F19T14-10.0PVC/GY	M23-F19S14-10.0PVC/GY
PUR	grey3m	M23-F19T14-3.0PUR/GY	M23-F19S14-3.0PUR/GY
PUR	grey5m	M23-F19T14-5.0PUR/GY	M23-F19S14-5.0PUR/GY
PUR	grey10m	M23-F19T14-10.0PUR/GY	M23-F19S14-10.0PUR/GY
Towchain	grey3m	M23-F19T14-3.0TL/GY	M23-F19S14-3.0TL/GY
Towchain	grey5m	M23-F19T14-5.0TL/GY	M23-F19S14-5.0TL/GY
Towchain	grey10m	M23-F19T14-10.0TL/GY	M23-F19S14-10.0TL/GY

Product drawing	Product size	Pins Assignment

Form	M8-A3-12K3-M23	Circuit
Length/Material Could be customized according to different enviroment , like extrame temprature and acid/alkali		
Rated voltage	24 V AC/DC	
Rated current	2A	
ProtectionClass(IEC 60529)	IP67	
Ambient temperature	-25~+85°C	

Matching cable of junction box



PVC	grey3m	M23-F19T14-3.0PVC/GY	M23-F19S14-3.0PVC/GY
PVC	grey5m	M23-F19T14-5.0PVC/GY	M23-F19S14-5.0PVC/GY
PVC	grey10m	M23-F19T14-10.0PVC/GY	M23-F19S14-10.0PVC/GY
PUR	grey3m	M23-F19T14-3.0PUR/GY	M23-F19S14-3.0PUR/GY
PUR	grey5m	M23-F19T14-5.0PUR/GY	M23-F19S14-5.0PUR/GY
PUR	grey10m	M23-F19T14-10.0PUR/GY	M23-F19S14-10.0PUR/GY
Towchain	grey3m	M23-F19T14-3.0TL/GY	M23-F19S14-3.0TL/GY
Towchain	grey5m	M23-F19T14-5.0TL/GY	M23-F19S14-5.0TL/GY
Towchain	grey10m	M23-F19T14-10.0TL/GY	M23-F19S14-10.0TL/GY



Junction Box

Product drawing	Product size	Pins Assignment
		<p>single channel PNP</p> <p>single channel NPN</p>
Form	M8-A3-8K3P-M12 Circuit	M8-A3-8K3N-M12 Circuit
Length/Material Could be customized according to different environment like extreme temperature and acid/alkali		
Rated voltage	24 V AC/DC	
Rated current	2A	
ProtectionClass(IEC 60529)	IP67	
Ambient temperature	-25~+85°C	

Matching cable of junction box



PVC	black3m	M12-F12T10-3.0PVC/BK	M12-F12S10-3.0PVC/BK
PVC	black5m	M12-F12T10-5.0PVC/BK	M12-F12S10-5.0PVC/BK
PVC	black10m	M12-F12T10-10.0PVC/BK	M12-F12S10-10.0PVC/BK
PUR	black3m	M12-F12T10-3.0PUR/BK	M12-F12S10-3.0PUR/BK
PUR	black5m	M12-F12T10-5.0PUR/BK	M12-F12S10-5.0PUR/BK
PUR	black10m	M12-F12T10-10.0PUR/BK	M12-F12S10-10.0PUR/BK
Towchain	black3m	M12-F12T10-3.0TL/BK	M12-F12S10-3.0TL/BK
Towchain	black5m	M12-F12T10-5.0TL/BK	M12-F12S10-5.0TL/BK
Towchain	black10m	M12-F12T10-10.0TL/BK	M12-F12S10-10.0TL/BK

Product drawing	Product size	Pins Assignment
		<p>single channel No components</p>
Form	M8-A3-8K3-M12 Circuit	
Length/Material Could be customized according to different environment, like extreme temperature and acid/alkali		
Rated voltage	24 V AC/DC	
Rated current	2A	
ProtectionClass(IEC 60529)	IP67	
Ambient temperature	-25~+85°C	

Matching cable of junction box




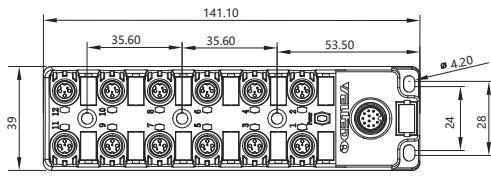
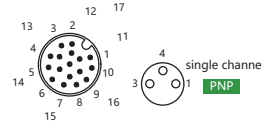
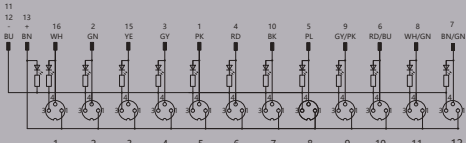
PVC	black3m	M12-F12T10-3.0PVC/BK	M12-F12S10-3.0PVC/BK
PVC	black5m	M12-F12T10-5.0PVC/BK	M12-F12S10-5.0PVC/BK
PVC	black10m	M12-F12T10-10.0PVC/BK	M12-F12S10-10.0PVC/BK
PUR	black3m	M12-F12T10-3.0PUR/BK	M12-F12S10-3.0PUR/BK
PUR	black5m	M12-F12T10-5.0PUR/BK	M12-F12S10-5.0PUR/BK
PUR	black10m	M12-F12T10-10.0PUR/BK	M12-F12S10-10.0PUR/BK
Towchain	black3m	M12-F12T10-3.0TL/BK	M12-F12S10-3.0TL/BK
Towchain	black5m	M12-F12T10-5.0TL/BK	M12-F12S10-5.0TL/BK
Towchain	black10m	M12-F12T10-10.0TL/BK	M12-F12S10-10.0TL/BK



Data ,CAD,3D document please refer to: WWW.VELLEDQ.COM

Junction Box


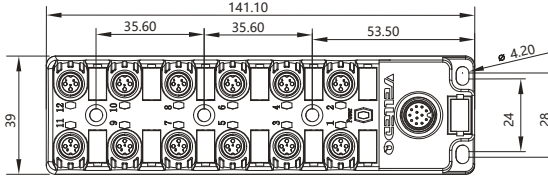
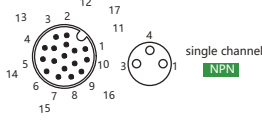
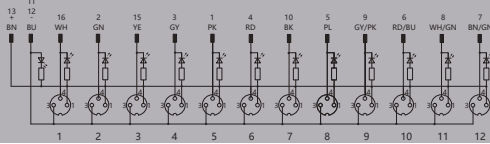


<p>Product drawing</p> 	<p>Product size</p> 	<p>Pins Assignment</p> 								
<p>Form</p> <p>Length/Material Could be customized according to different environment, like extreme temperature and acid/alkali</p> <table border="1"> <tr> <td>Rated voltage</td> <td>24 V AC/DC</td> </tr> <tr> <td>Rated current</td> <td>2A</td> </tr> <tr> <td>ProtectionClass(IEC 60529)</td> <td>IP67</td> </tr> <tr> <td>Ambient temperature</td> <td>-25~+85°C</td> </tr> </table>		Rated voltage	24 V AC/DC	Rated current	2A	ProtectionClass(IEC 60529)	IP67	Ambient temperature	-25~+85°C	<p>M8-A3-12K3P-M12 Circuit</p> 
Rated voltage	24 V AC/DC									
Rated current	2A									
ProtectionClass(IEC 60529)	IP67									
Ambient temperature	-25~+85°C									

Matching cable of junction box



PVC	grey3m	M12-F17T14-3.0PVC/GY	M12-F17S14-3.0PVC/GY
PVC	grey5m	M12-F17T14-5.0PVC/GY	M12-F17S14-5.0PVC/GY
PVC	grey10m	M12-F17T14-10.0PVC/GY	M12-F17S14-10.0PVC/GY
PUR	grey3m	M12-F17T14-3.0PUR/GY	M12-F17S14-3.0PUR/GY
PUR	grey5m	M12-F17T14-5.0PUR/GY	M12-F17S14-5.0PUR/GY
PUR	grey10m	M12-F17T14-10.0PUR/GY	M12-F17S14-10.0PUR/GY
Towchain	grey3m	M12-F17T14-3.0TL/GY	M12-F17S14-3.0TL/GY
Towchain	grey5m	M12-F17T14-5.0TL/GY	M12-F17S14-5.0TL/GY
Towchain	grey10m	M12-F17T14-10.0TL/GY	M12-F17S14-10.0TL/GY

<p>Product drawing</p> 	<p>Product size</p> 	<p>Pins Assignment</p> 								
<p>Form</p> <p>Length/Material Could be customized according to different environment, like extreme temperature and acid/alkali</p> <table border="1"> <tr> <td>Rated voltage</td> <td>24 V AC/DC</td> </tr> <tr> <td>Rated current</td> <td>2A</td> </tr> <tr> <td>ProtectionClass(IEC 60529)</td> <td>IP67</td> </tr> <tr> <td>Ambient temperature</td> <td>-25~+85°C</td> </tr> </table>		Rated voltage	24 V AC/DC	Rated current	2A	ProtectionClass(IEC 60529)	IP67	Ambient temperature	-25~+85°C	<p>M8-A3-12K3N-M12 Circuit</p> 
Rated voltage	24 V AC/DC									
Rated current	2A									
ProtectionClass(IEC 60529)	IP67									
Ambient temperature	-25~+85°C									

Matching cable of junction box



PVC	grey3m	M12-F17T14-3.0PVC/GY	M12-F17S14-3.0PVC/GY
PVC	grey5m	M12-F17T14-5.0PVC/GY	M12-F17S14-5.0PVC/GY
PVC	grey10m	M12-F17T14-10.0PVC/GY	M12-F17S14-10.0PVC/GY
PUR	grey3m	M12-F17T14-3.0PUR/GY	M12-F17S14-3.0PUR/GY
PUR	grey5m	M12-F17T14-5.0PUR/GY	M12-F17S14-5.0PUR/GY
PUR	grey10m	M12-F17T14-10.0PUR/GY	M12-F17S14-10.0PUR/GY
Towchain	grey3m	M12-F17T14-3.0TL/GY	M12-F17S14-3.0TL/GY
Towchain	grey5m	M12-F17T14-5.0TL/GY	M12-F17S14-5.0TL/GY
Towchain	grey10m	M12-F17T14-10.0TL/GY	M12-F17S14-10.0TL/GY



Junction Box

Product drawing	Product size	Pins Assignment

Form	M8-A3-12K3-M23 Circuit	
Length/Material Could be customized according to different enviroment , like extrame temprature and acid/alkali		
Rated voltage		24 V AC/DC
Rated current		2A
ProtectionClass(IEC 60529)		IP67
Ambient temperature		-25~+85°C

Matching cable of junction box



PVC	grey3m	M23-F19T14-3.0PVC/GY	M23-F19S14-3.0PVC/GY
PVC	grey5m	M23-F19T14-5.0PVC/GY	M23-F19S14-5.0PVC/GY
PVC	grey10m	M23-F19T14-10.0PVC/GY	M23-F19S14-10.0PVC/GY
PUR	grey3m	M23-F19T14-3.0PUR/GY	M23-F19S14-3.0PUR/GY
PUR	grey5m	M23-F19T14-5.0PUR/GY	M23-F19S14-5.0PUR/GY
PUR	grey10m	M23-F19T14-10.0PUR/GY	M23-F19S14-10.0PUR/GY
Towchain	grey3m	M23-F19T14-3.0TL/GY	M23-F19S14-3.0TL/GY
Towchain	grey5m	M23-F19T14-5.0TL/GY	M23-F19S14-5.0TL/GY
Towchain	grey10m	M23-F19T14-10.0TL/GY	M23-F19S14-10.0TL/GY

Product drawing	Product size	Pins Assignment

Form	M12-A3-4K4P-M23 Circuit	M12-A3-4K4N-M23 Circuit	
PVC	grey3m	M12-A3-4K4P-3.0PVC/GY	M12-A3-4K4N-3.0PVC/GY
PVC	grey5m	M12-A3-4K4P-5.0PVC/GY	M12-A3-4K4N-5.0PVC/GY
PVC	grey10m	M12-A3-4K4P-10.0PVC/GY	M12-A3-4K4N-10.0PVC/GY
PUR	grey3m	M12-A3-4K4P-3.0PUR/GY	M12-A3-4K4N-3.0PUR/GY
PUR	grey5m	M12-A3-4K4P-5.0PUR/GY	M12-A3-4K4N-5.0PUR/GY
PUR	grey10m	M12-A3-4K4P-10.0PUR/GY	M12-A3-4K4N-10.0PUR/GY
Towchain	grey3m	M12-A3-4K4P-3.0TL/GY	M12-A3-4K4N-3.0TL/GY
Towchain	grey5m	M12-A3-4K4P-5.0TL/GY	M12-A3-4K4N-5.0TL/GY
Towchain	grey10m	M12-A3-4K4P-10.0TL/GY	M12-A3-4K4N-10.0TL/GY

Product drawing	Product size	Pins Assignment



Data ,CAD,3D document please refer to: WWW.VELLEDQ.COM

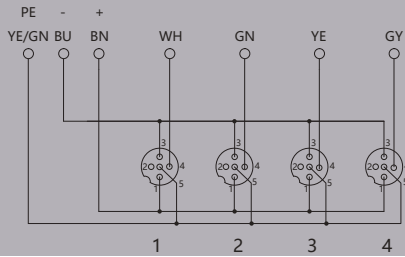


ISO 9001 (2015) quality management system

Junction Box

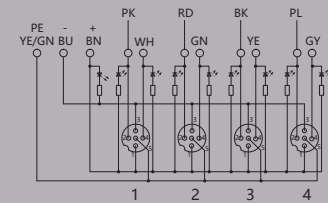
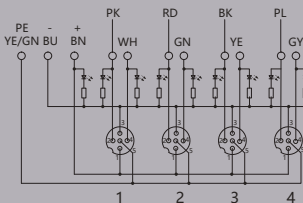
Circuit

PVC	grey3m	M12-A3-4K4-3.0PVC/GY
PVC	grey5m	M12-A3-4K4-5.0PVC/GY
PVC	grey10m	M12-A3-4K4-10.0PVC/GY
PUR	grey3m	M12-A3-4K4-3.0PUR/GY
PUR	grey5m	M12-A3-4K4-5.0PUR/GY
PUR	grey10m	M12-A3-4K4-10.0PUR/GY
Towchain	grey3m	M12-A3-4K4-3.0TL/GY
Towchain	grey5m	M12-A3-4K4-5.0TL/GY
Towchain	grey10m	M12-A3-4K4-10.0TL/GY



Product drawing	Product size	Pins Assignment

		M12-A3-4K5P-3.0PVC/GY	Circuit	M12-A3-4K5N-3.0PVC/GY	Circuit
PVC	grey3m	M12-A3-4K5P-3.0PVC/GY	M12-A3-4K5N-3.0PVC/GY		
PVC	grey5m	M12-A3-4K5P-5.0PVC/GY	M12-A3-4K5N-5.0PVC/GY		
PVC	grey10m	M12-A3-4K5P-10.0PVC/GY	M12-A3-4K5N-10.0PVC/GY		
PUR	grey3m	M12-A3-4K5P-3.0PUR/GY	M12-A3-4K5N-3.0PUR/GY		
PUR	grey5m	M12-A3-4K5P-5.0PUR/GY	M12-A3-4K5N-5.0PUR/GY		
PUR	grey10m	M12-A3-4K5P-10.0PUR/GY	M12-A3-4K5N-10.0PUR/GY		
Towchain	grey3m	M12-A3-4K5P-3.0TL/GY	M12-A3-4K5N-3.0TL/GY		
Towchain	grey5m	M12-A3-4K5P-5.0TL/GY	M12-A3-4K5N-5.0TL/GY		
Towchain	grey10m	M12-A3-4K5P-10.0TL/GY	M12-A3-4K5N-10.0TL/GY		

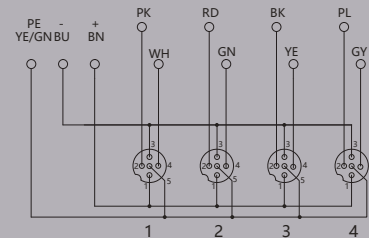


Length/Material Could be customized according to different enviroment ,like extrame tempreture and acid/alkali

Rated voltage	24 V DC
Rated current	4A
Cable specification	8*0.34mm ² +3*0.75mm ²
ProtectionClass(IEC 60529)	IP65-IP67
Ambient temperature	-25~+65°C

Product drawing	Product size	Pins Assignment

PVC	grey3m	M12-A3-4K5-3.0PVC/GY
PVC	grey5m	M12-A3-4K5-5.0PVC/GY
PVC	grey10m	M12-A3-4K5-10.0PVC/GY
PUR	grey3m	M12-A3-4K5-3.0PUR/GY
PUR	grey5m	M12-A3-4K5-5.0PUR/GY
PUR	grey10m	M12-A3-4K5-10.0PUR/GY
Towchain	grey3m	M12-A3-4K5-3.0TL/GY
Towchain	grey5m	M12-A3-4K5-5.0TL/GY
Towchain	grey10m	M12-A3-4K5-10.0TL/GY



Junction Box

Product drawing	Product size	Pins Assignment
Form	M12-A3-4K5P-M12 Circuit	M12-A3-4K5N-M12 Circuit
Length/Material Could be customized according to different environment, like extreme temperature and acid/alkali		
Rated voltage	24V DC	
Rated current	4A	
ProtectionClass(IEC 60529)	IP65-IP67	
Ambient temperature	-25~+65°C	

Matching cable of junction box



PVC	black3m	M12-F12T11-3.0PVC/BK	M12-F12S11-3.0PVC/BK
PVC	black5m	M12-F12T11--5.0PVC/BK	M12-F12S11-5.0PVC/BK
PVC	black10m	M12-F12T11--10.0PVC/BK	M12-F12S11-10.0PVC/BK
PUR	black3m	M12-F12T11--3.0PUR/BK	M12-F12S11-3.0PUR/BK
PUR	black5m	M12-F12T11--5.0PUR/BK	M12-F12S11-5.0PUR/BK
PUR	black10m	M12-F12T11--10.0PUR/BK	M12-F12S11-10.0PUR/BK
Towchain	black3m	M12-F12T11--3.0TL/BK	M12-F12S11-3.0TL/BK
Towchain	black5m	M12-F12T11--5.0TL/BK	M12-F12S11-5.0TL/BK
Towchain	black10m	M12-F12T11--10.0TL/BK	M12-F12S11-10.0TL/BK

Product drawing	Product size	Pins Assignment
Form	M12-A3-4K5-M12 Circuit	
Length/Material Could be customized according to different environment, like extreme temperature and acid/alkali		
Rated voltage	24V DC	
Rated current	4A	
ProtectionClass(IEC 60529)	IP65-IP67	
Ambient temperature	-25~+65°C	

Matching cable of junction box



PVC	black3m	M12-F12T11-3.0PVC/BK	M12-F12S11-3.0PVC/BK
PVC	black5m	M12-F12T11--5.0PVC/BK	M12-F12S11-5.0PVC/BK
PVC	black10m	M12-F12T11--10.0PVC/BK	M12-F12S11-10.0PVC/BK
PUR	black3m	M12-F12T11--3.0PUR/BK	M12-F12S11-3.0PUR/BK
PUR	black5m	M12-F12T11--5.0PUR/BK	M12-F12S11-5.0PUR/BK
PUR	black10m	M12-F12T11--10.0PUR/BK	M12-F12S11-10.0PUR/BK
Towchain	black3m	M12-F12T11--3.0TL/BK	M12-F12S11-3.0TL/BK
Towchain	black5m	M12-F12T11--5.0TL/BK	M12-F12S11-5.0TL/BK
Towchain	black10m	M12-F12T11--10.0TL/BK	M12-F12S11-10.0TL/BK



Junction Box

Product drawing	Product size	Pins Assignment
Form	M12-A3-4K4P-DZP Circuit	M12-A3-4K4N-DZP Circuit
Length/Material Could be customized according to different enviroment , like extrame tempreture and acid/alkali		
Rated voltage	24V DC	
Rated current	4A	
ProtectionClass(IEC 60529)	IP65-IP67	
Ambient temperature	-25~+65°C	



PVC	grey3m	DZP-F09S07-3.0PVC/GY
PVC	grey5m	DZP-F09S07-5.0PVC/GY
PVC	grey10m	DZP-F09S07-10.0PVC/GY
PUR	grey3m	DZP-F09S07-3.0PUR/GY
PUR	grey5m	DZP-F09S07-5.0PUR/GY
PUR	grey10m	DZP-F09S07-10.0PUR/GY
Towchain	grey3m	DZP-F09S07-3.0TL/GY
Towchain	grey5m	DZP-F09S07-5.0TL/GY
Towchain	grey10m	DZP-F09S07-10.0TL/GY

Product drawing	Product size	Pins Assignment
Form	M12-A3-4K4-DZP Circuit	
Length/Material Could be customized according to different enviroment , like extrame tempreture and acid/alkali		
Rated voltage	24V DC	
Rated current	4A	
ProtectionClass(IEC 60529)	IP65-IP67	
Ambient temperature	-25~+65°C	



Communicate Now

Data ,CAD,3D document please refer to: WWW.VELLEDQ.COM



Junction Box



Product drawing	Product size	Pin Assignment
Form Length/Material Could be customized according to different environment, like extreme temperature and acid/alkali	M12-A3-4K5P-DZP Circuit	M12-A3-4K5N-DZP Circuit
Rated voltage	24V DC	
Rated current	4A	
ProtectionClass(IEC 60529)	IP65-IP67	
Ambient temperature	-25~+65°C	



Matching cable of junction box

PVC	grey3m	DZP-F16S11-3.0PVC/GY
PVC	grey5m	DZP-F16S11-5.0PVC/GY
PVC	grey10m	DZP-F16S11-10.0PVC/GY
PUR	grey3m	DZP-F16S11-3.0PUR/GY
PUR	grey5m	DZP-F16S11-5.0PUR/GY
PUR	grey10m	DZP-F16S11-10.0PUR/GY
DragChain	grey3m	DZP-F16S11-3.0TL/GY
DragChain	grey5m	DZP-F16S11-5.0TL/GY
DragChain	grey10m	DZP-F16S11-10.0TL/GY

Product drawing	Product size	Pin Assignment
Form Length/Material Could be customized according to different environment, like extreme temperature and acid/alkali	M12-A3-4K5-DZP Circuit	Circuit
Rated voltage	24V DC	
Rated current	4A	
ProtectionClass(IEC 60529)	IP65-IP67	
Ambient temperature	-25~+65°C	



Junction Box



Matching cable of junction box

PVC	grey3m	DZP-F16S11-3.0PVC/GY
PVC	grey5m	DZP-F16S11-5.0PVC/GY
PVC	grey10m	DZP-F16S11-10.0PVC/GY
PUR	grey3m	DZP-F16S11-3.0PUR/GY
PUR	grey5m	DZP-F16S11-5.0PUR/GY
PUR	grey10m	DZP-F16S11-10.0PUR/GY
DragChain	grey3m	DZP-F16S11-3.0TL/GY
DragChain	grey5m	DZP-F16S11-5.0TL/GY
DragChain	grey10m	DZP-F16S11-10.0TL/GY

Product drawing		Product size		Pin Assignment	
				single channel PNP single channel NPN single channel No components	
PVC	grey3m	M12-A3-6K4P-3.0PVC/GY	M12-A3-6K4N-3.0PVC/GY	M12-A3-6K4-3.0PVC/GY	
PVC	grey5m	M12-A3-6K4P-5.0PVC/GY	M12-A3-6K4N-5.0PVC/GY	M12-A3-6K4-5.0PVC/GY	
PVC	grey10m	M12-A3-6K4P-10.0PVC/GY	M12-A3-6K4N-10.0PVC/GY	M12-A3-6K4-10.0PVC/GY	
PUR	grey3m	M12-A3-6K4P-3.0PUR/GY	M12-A3-6K4N-3.0PUR/GY	M12-A3-6K4-3.0PUR/GY	
PUR	grey5m	M12-A3-6K4P-5.0PUR/GY	M12-A3-6K4N-5.0PUR/GY	M12-A3-6K4-5.0PUR/GY	
PUR	grey10m	M12-A3-6K4P-10.0PUR/GY	M12-A3-6K4N-10.0PUR/GY	M12-A3-6K4-10.0PUR/GY	
DragChain	grey3m	M12-A3-6K4P-3.0TL/GY	M12-A3-6K4N-3.0TL/GY	M12-A3-6K4-3.0TL/GY	
DragChain	grey5m	M12-A3-6K4P-5.0TL/GY	M12-A3-6K4N-5.0TL/GY	M12-A3-6K4-5.0TL/GY	
DragChain	grey10m	M12-A3-6K4P-10.0TL/GY	M12-A3-6K4N-10.0TL/GY	M12-A3-6K4-10.0TL/GY	

Product drawing		Product size		Pin Assignment	
				Dual channel PNP Dual channel NPN Dual channel No components	

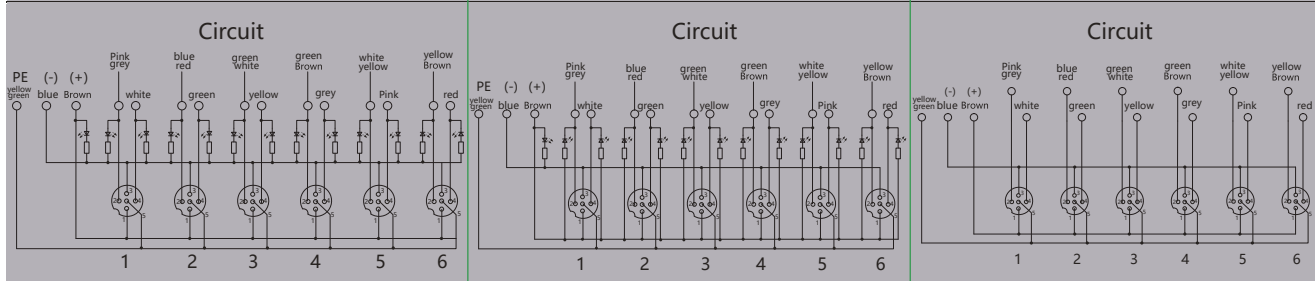


Data ,CAD,3D document please refer to: WWW.VELLEDQ.COM

Junction Box

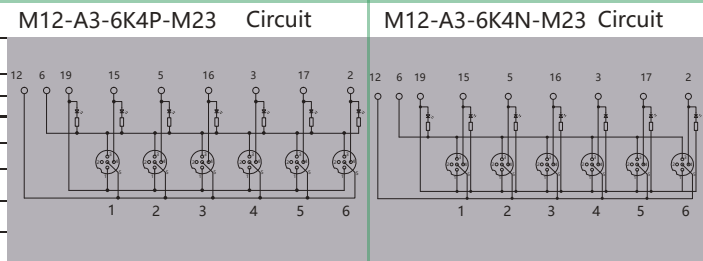


PVC	grey3m	M12-A3-6K5P-3.0PVC/GY	M12-A3-6K5N-3.0PVC/GY	M12-A3-6K5-3.0PVC/GY
PVC	grey5m	M12-A3-6K5P-5.0PVC/GY	M12-A3-6K5N-5.0PVC/GY	M12-A3-6K5-5.0PVC/GY
PVC	grey10m	M12-A3-6K5P-10.0PVC/GY	M12-A3-6K5N-10.0PVC/GY	M12-A3-6K5-10.0PVC/GY
PUR	grey3m	M12-A3-6K5P-3.0PUR/GY	M12-A3-6K5N-3.0PUR/GY	M12-A3-6K5-3.0PUR/GY
PUR	grey5m	M12-A3-6K5P-5.0PUR/GY	M12-A3-6K5N-5.0PUR/GY	M12-A3-6K5-5.0PUR/GY
PUR	grey10m	M12-A3-6K5P-10.0PUR/GY	M12-A3-6K5N-10.0PUR/GY	M12-A3-6K5-10.0PUR/GY
DragChain	grey3m	M12-A3-6K5P-3.0TL/GY	M12-A3-6K5N-3.0TL/GY	M12-A3-6K5-3.0TL/GY
DragChain	grey5m	M12-A3-6K5P-5.0TL/GY	M12-A3-6K5N-5.0TL/GY	M12-A3-6K5-5.0TL/GY
DragChain	grey10m	M12-A3-6K5P-10.0TL/GY	M12-A3-6K5N-10.0TL/GY	M12-A3-6K5-10.0TL/GY



<p>Product drawing</p>	<p>Product size</p>	<p>Pin Assignment</p>
-------------------------------	----------------------------	------------------------------

Form	Length/Material Could be customized according to different environment ,like extrame temprature and acid/alkali
Rated voltage	24 V DC
Rated current	4A
ProtectionClass(IEC 60529)	IP65-IP67
Ambient temperature	-25~+65°C



Matching cable of junction box



PVC	grey3m	M23-F19T09-3.0PVC/GY	M23-F19S09-3.0PVC/GY
PVC	grey5m	M23-F19T09-5.0PVC/GY	M23-F19S09-5.0PVC/GY
PVC	grey10m	M23-F19T09-10.0PVC/GY	M23-F19S09-10.0PVC/GY
PUR	grey3m	M23-F19T09-3.0PUR/GY	M23-F19S09-3.0PUR/GY
PUR	grey5m	M23-F19T09-5.0PUR/GY	M23-F19S09-5.0PUR/GY
PUR	grey10m	M23-F19T09-10.0PUR/GY	M23-F19S09-10.0PUR/GY
DragChain	grey3m	M23-F19T09-3.0TL/GY	M23-F19S09-3.0TL/GY
DragChain	grey5m	M23-F19T09-5.0TL/GY	M23-F19S09-5.0TL/GY
DragChain	grey10m	M23-F19T09-10.0TL/GY	M23-F19S09-10.0TL/GY



Data ,CAD,3D document please refer to: WWW.VELLEDQ.COM



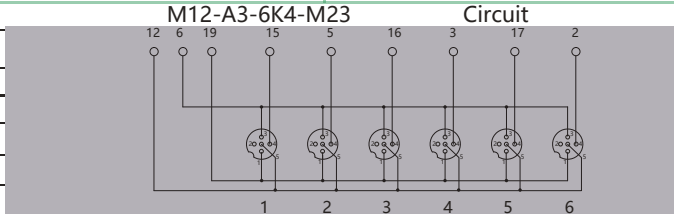
ISO 9001 (2015) quality management system

Junction Box



Product drawing	Product size	Pin Assignment

Form	
Length/Material	Could be customized according to different environment ,like extrim temperature and acid/alkali
Rated voltage	24 V DC
Rated current	4A
ProtectionClass(IEC 60529)	IP65-IP67
Ambient temperature	-25~+65°C



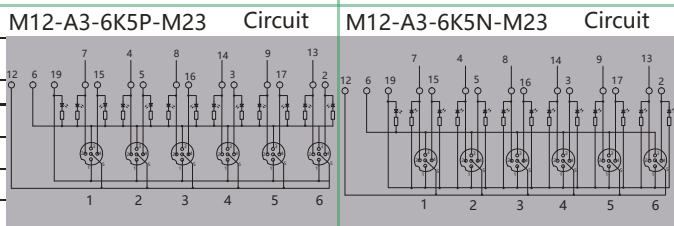
Matching cable of junction box



PVC	grey3m	M23-F19T09-3.0PVC/GY	M23-F19S09-3.0PVC/GY
PVC	grey5m	M23-F19T09-5.0PVC/GY	M23-F19S09-5.0PVC/GY
PVC	grey10m	M23-F19T09-10.0PVC/GY	M23-F19S09-10.0PVC/GY
PUR	grey3m	M23-F19T09-3.0PUR/GY	M23-F19S09-3.0PUR/GY
PUR	grey5m	M23-F19T09-5.0PUR/GY	M23-F19S09-5.0PUR/GY
PUR	grey10m	M23-F19T09-10.0PUR/GY	M23-F19S09-10.0PUR/GY
DragChain	grey3m	M23-F19T09-3.0TL/GY	M23-F19S09-3.0TL/GY
DragChain	grey5m	M23-F19T09-5.0TL/GY	M23-F19S09-5.0TL/GY
DragChain	grey10m	M23-F19T09-10.0TL/GY	M23-F19S09-10.0TL/GY

Product drawing	Product size	Pin Assignment

Form	
Length/Material	Could be customized according to different environment ,like extrim temperature and acid/alkali
Rated voltage	24 V DC
Rated current	4A
ProtectionClass(IEC 60529)	IP65-IP67
Ambient temperature	-25~+65°C



Data ,CAD,3D document please refer to: WWW.VELLEDQ.COM



Junction Box



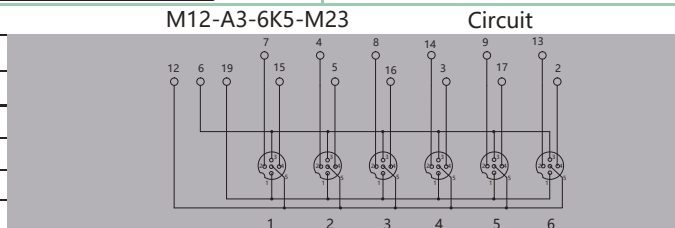
Matching cable of junction box



PVC	grey3m	M23-F19T15-3.0PVC/GY	M23-F19S15-3.0PVC/GY
PVC	grey5m	M23-F19T15-5.0PVC/GY	M23-F19S15-5.0PVC/GY
PVC	grey10m	M23-F19T15-10.0PVC/GY	M23-F19S15-10.0PVC/GY
PUR	grey3m	M23-F19T15-3.0PUR/GY	M23-F19S15-3.0PUR/GY
PUR	grey5m	M23-F19T15-5.0PUR/GY	M23-F19S15-5.0PUR/GY
PUR	grey10m	M23-F19T15-10.0PUR/GY	M23-F19S15-10.0PUR/GY
DragChain	grey3m	M23-F19T15-3.0TL/GY	M23-F19S15-3.0TL/GY
DragChain	grey5m	M23-F19T15-5.0TL/GY	M23-F19S15-5.0TL/GY
DragChain	grey10m	M23-F19T15-10.0TL/GY	M23-F19S15-10.0TL/GY

Product drawing	Product size	Pin Assignment

Form	
Length/Material	Could be customized according to different environment ,like extrame tempreature and acid/alkali
Rated voltage	24 V DC
Rated current	4A
ProtectionClass(IEC 60529)	IP65-IP67
Ambient temperature	-25~+65°C



Matching cable of junction box


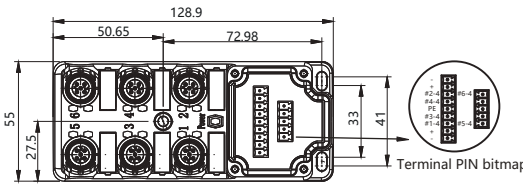

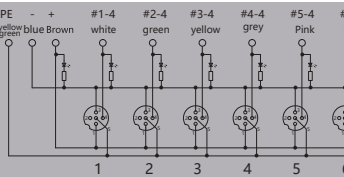
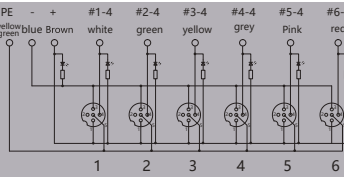


PVC	grey3m	M23-F19T15-3.0PVC/GY	M23-F19S15-3.0PVC/GY
PVC	grey5m	M23-F19T15-5.0PVC/GY	M23-F19S15-5.0PVC/GY
PVC	grey10m	M23-F19T15-10.0PVC/GY	M23-F19S15-10.0PVC/GY
PUR	grey3m	M23-F19T15-3.0PUR/GY	M23-F19S15-3.0PUR/GY
PUR	grey5m	M23-F19T15-5.0PUR/GY	M23-F19S15-5.0PUR/GY
PUR	grey10m	M23-F19T15-10.0PUR/GY	M23-F19S15-10.0PUR/GY
DragChain	grey3m	M23-F19T15-3.0TL/GY	M23-F19S15-3.0TL/GY
DragChain	grey5m	M23-F19T15-5.0TL/GY	M23-F19S15-5.0TL/GY
DragChain	grey10m	M23-F19T15-10.0TL/GY	M23-F19S15-10.0TL/GY



Junction Box


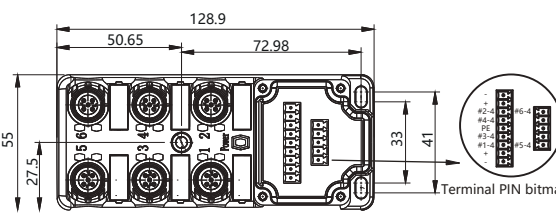

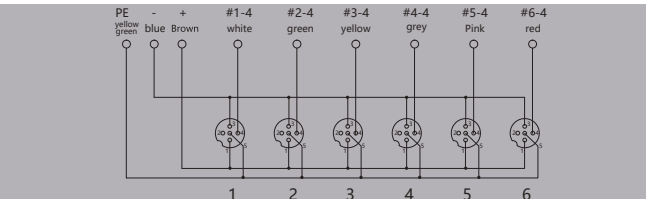


<p>Product drawing</p> 	<p>Product size</p> 	<p>Pin Assignment</p> 								
<p>Form</p> <p>Length/Material Could be customized according to different environment ,like extrame temperture and acid/alkali</p> <table border="1"> <tr> <td>Rated voltage</td> <td>24V DC</td> </tr> <tr> <td>Rated current</td> <td>4A</td> </tr> <tr> <td>ProtectionClass(IEC 60529)</td> <td>IP65-IP67</td> </tr> <tr> <td>Ambient temperature</td> <td>-25~+65°C</td> </tr> </table>	Rated voltage	24V DC	Rated current	4A	ProtectionClass(IEC 60529)	IP65-IP67	Ambient temperature	-25~+65°C	<p>M12-A3-6K4P-DZP Circuit</p> 	<p>M12-A3-6K4N-DZP Circuit</p> 
Rated voltage	24V DC									
Rated current	4A									
ProtectionClass(IEC 60529)	IP65-IP67									
Ambient temperature	-25~+65°C									

Matching cable of junction box



PVC	grey3m	DZP-F14S09-3.0PVC/GY
PVC	grey5m	DZP-F14S09-5.0PVC/GY
PVC	grey10m	DZP-F14S09-10.0PVC/GY
PUR	grey3m	DZP-F14S09-3.0PUR/GY
PUR	grey5m	DZP-F14S09-5.0PUR/GY
PUR	grey10m	DZP-F14S09-10.0PUR/GY
DragChain	grey3m	DZP-F14S09-3.0TL/GY
DragChain	grey5m	DZP-F14S09-5.0TL/GY
DragChain	grey10m	DZP-F14S09-10.0TL/GY

<p>Product drawing</p> 	<p>Product size</p> 	<p>Pin Assignment</p> 								
<p>Form</p> <p>Length/Material Could be customized according to different environment ,like extrame temperture and acid/alkali</p> <table border="1"> <tr> <td>Rated voltage</td> <td>24V DC</td> </tr> <tr> <td>Rated current</td> <td>4A</td> </tr> <tr> <td>ProtectionClass(IEC 60529)</td> <td>IP65-IP67</td> </tr> <tr> <td>Ambient temperature</td> <td>-25~+65°C</td> </tr> </table>	Rated voltage	24V DC	Rated current	4A	ProtectionClass(IEC 60529)	IP65-IP67	Ambient temperature	-25~+65°C	<p>M12-A3-6K4-DZP Circuit</p> 	
Rated voltage	24V DC									
Rated current	4A									
ProtectionClass(IEC 60529)	IP65-IP67									
Ambient temperature	-25~+65°C									



Data ,CAD,3D document please refer to: WWW.VELLEDQ.COM



Junction Box



Matching cable of junction box

PVC	grey3m	DZP-F14S09-3.0PVC/GY
PVC	grey5m	DZP-F14S09-5.0PVC/GY
PVC	grey10m	DZP-F14S09-10.0PVC/GY
PUR	grey3m	DZP-F14S09-3.0PUR/GY
PUR	grey5m	DZP-F14S09-5.0PUR/GY
PUR	grey10m	DZP-F14S09-10.0PUR/GY
DragChain	grey3m	DZP-F14S09-3.0TL/GY
DragChain	grey5m	DZP-F14S09-5.0TL/GY
DragChain	grey10m	DZP-F14S09-10.0TL/GY

Product drawing	Product size	Pin Assignment
Form Length/Material Could be customized according to different environment like extreme temperature and acid/alkali	M12-A3-6K5P-DZP Circuit 	M12-A3-6K5N-DZP Circuit
Rated voltage: 24V DC Rated current: 4A ProtectionClass(IEC 60529): IP65-IP67 Ambient temperature: -25~+65°C		

Matching cable of junction box



PVC	grey3m	DZP-F21S15-3.0PVC/GY
PVC	grey5m	DZP-F21S15-5.0PVC/GY
PVC	grey10m	DZP-F21S15-10.0PVC/GY
PUR	grey3m	DZP-F21S15-3.0PUR/GY
PUR	grey5m	DZP-F21S15-5.0PUR/GY
PUR	grey10m	DZP-F21S15-10.0PUR/GY
DragChain	grey3m	DZP-F21S15-3.0TL/GY
DragChain	grey5m	DZP-F21S15-5.0TL/GY
DragChain	grey10m	DZP-F21S15-10.0TL/GY

Product drawing	Product size	Pin Assignment



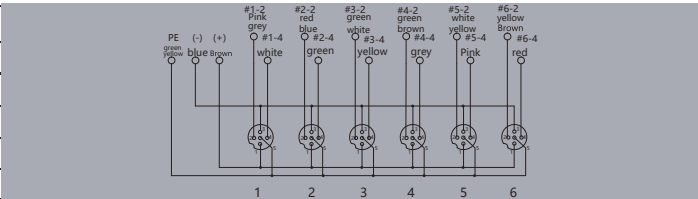
Junction Box



Form

Length/Material	Could be customized according to different environment, like extreme temperature and acid/alkali	
Rated voltage	24V DC	
Rated current	4A	
Protection Class (IEC 60529)	IP65-IP67	
Ambient temperature	-25~+65°C	

M12-A3-6K5-DZP Circuit



Matching cable of junction box



PVC	grey3m	DZP-F21S15-3.0PVC/GY
PVC	grey5m	DZP-F21S15-5.0PVC/GY
PVC	grey10m	DZP-F21S15-10.0PVC/GY
PUR	grey3m	DZP-F21S15-3.0PUR/GY
PUR	grey5m	DZP-F21S15-5.0PUR/GY
PUR	grey10m	DZP-F21S15-10.0PUR/GY
DragChain	grey3m	DZP-F21S15-3.0TL/GY
DragChain	grey5m	DZP-F21S15-5.0TL/GY
DragChain	grey10m	DZP-F21S15-10.0TL/GY

Product drawing	Product size	Pin Assignment
		<p>single channel PNP</p> <p>single channel NPN</p>

PVC	grey3m	M12-A3-8K4P-3.0PVC/GY	M12-A3-8K4N-3.0PVC/GY	<p>M12-A3-8K4P-3.0PVC/GY Circuit</p>
PVC	grey5m	M12-A3-8K4P-5.0PVC/GY	M12-A3-8K4N-5.0PVC/GY	
PVC	grey10m	M12-A3-8K4P-10.0PVC/GY	M12-A3-8K4N-10.0PVC/GY	<p>M12-A3-8K4N-3.0PVC/GY Circuit</p>
PUR	grey3m	M12-A3-8K4P-3.0PUR/GY	M12-A3-8K4N-3.0PUR/GY	
PUR	grey5m	M12-A3-8K4P-5.0PUR/GY	M12-A3-8K4N-5.0PUR/GY	
PUR	grey10m	M12-A3-8K4P-10.0PUR/GY	M12-A3-8K4N-10.0PUR/GY	
DragChain	grey3m	M12-A3-8K4P-3.0TL/GY	M12-A3-8K4N-3.0TL/GY	
DragChain	grey5m	M12-A3-8K4P-5.0TL/GY	M12-A3-8K4N-5.0TL/GY	
DragChain	grey10m	M12-A3-8K4P-10.0TL/GY	M12-A3-8K4N-10.0TL/GY	

Product drawing	Product size	Pin Assignment
		<p>single channel No components</p>



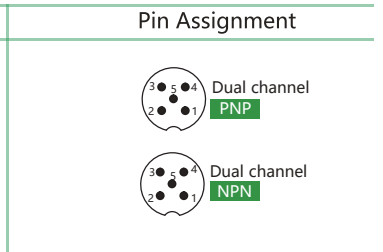
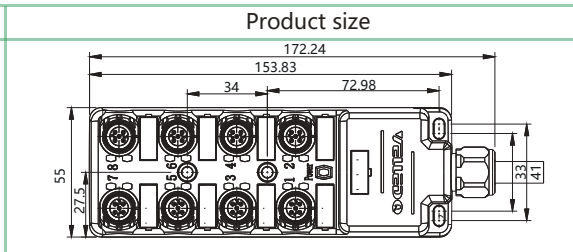
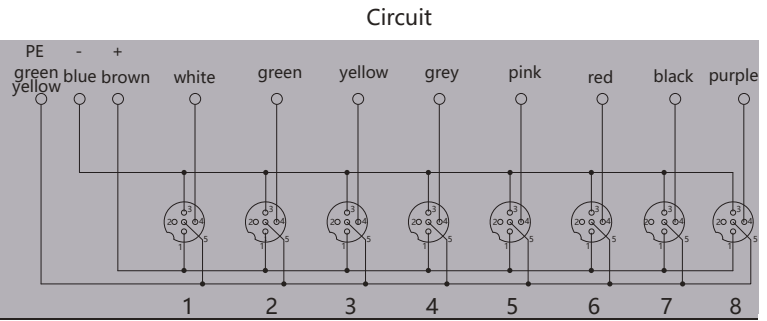
Data ,CAD,3D document please refer to: WWW.VELLEDQ.COM



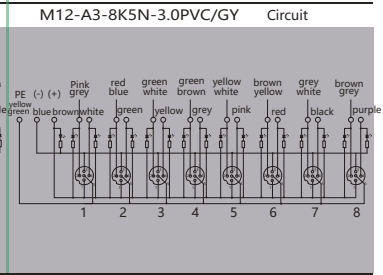
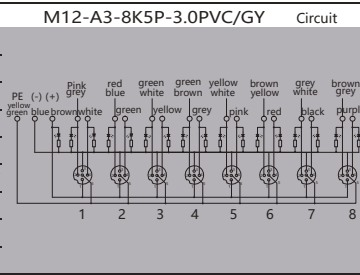
Junction Box



PVC	grey3m	M12-A3-8K4-3.0PVC/GY
PVC	grey5m	M12-A3-8K4-5.0PVC/GY
PVC	grey10m	M12-A3-8K4-10.0PVC/GY
PUR	grey3m	M12-A3-8K4-3.0PUR/GY
PUR	grey5m	M12-A3-8K4-5.0PUR/GY
PUR	grey10m	M12-A3-8K4-10.0PUR/GY
DragChain	grey3m	M12-A3-8K4-3.0TL/GY
DragChain	grey5m	M12-A3-8K4-5.0TL/GY
DragChain	grey10m	M12-A3-8K4-10.0TL/GY

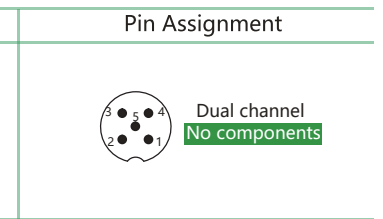
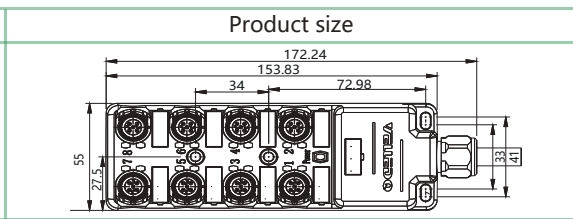


PVC	grey3m	M12-A3-8K5P-3.0PVC/GY	M12-A3-8K5N-3.0PVC/GY
PVC	grey5m	M12-A3-8K5P-5.0PVC/GY	M12-A3-8K5N-5.0PVC/GY
PVC	grey10m	M12-A3-8K5P-10.0PVC/GY	M12-A3-8K5N-10.0PVC/GY
PUR	grey3m	M12-A3-8K5P-3.0PUR/GY	M12-A3-8K5N-3.0PUR/GY
PUR	grey5m	M12-A3-8K5P-5.0PUR/GY	M12-A3-8K5N-5.0PUR/GY
PUR	grey10m	M12-A3-8K5P-10.0PUR/GY	M12-A3-8K5N-10.0PUR/GY
DragChain	grey3m	M12-A3-8K5P-3.0TL/GY	M12-A3-8K5N-3.0TL/GY
DragChain	grey5m	M12-A3-8K5P-5.0TL/GY	M12-A3-8K5N-5.0TL/GY
DragChain	grey10m	M12-A3-8K5P-10.0TL/GY	M12-A3-8K5N-10.0TL/GY

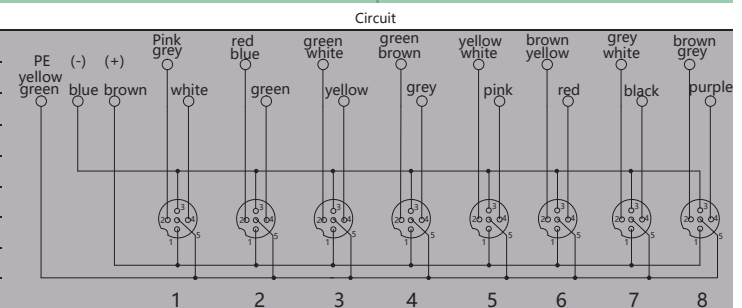


Length/Material Could be customized according to different environment, like extreme temperature and acid/alkali

Rated voltage	24 V DC
Rated current	4A
Cable specification	16*0.34mm ² +3*0.75mm ²
ProtectionClass(IEC 60529)	IP65-IP67
Ambient temperature	-25~+65°C


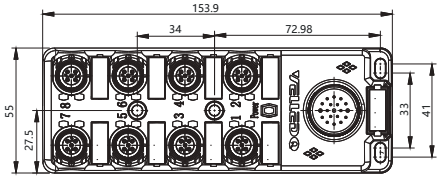
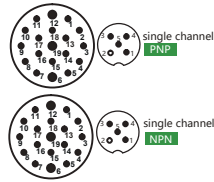
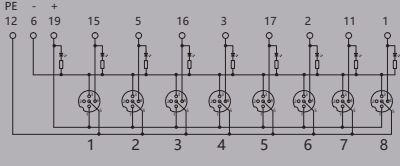
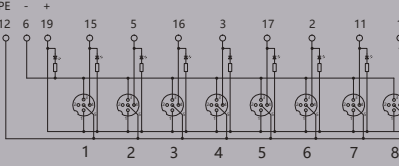


PVC	grey3m	M12-A3-8K5-3.0PVC/GY
PVC	grey5m	M12-A3-8K5-5.0PVC/GY
PVC	grey10m	M12-A3-8K5-10.0PVC/GY
PUR	grey3m	M12-A3-8K5-3.0PUR/GY
PUR	grey5m	M12-A3-8K5-5.0PUR/GY
PUR	grey10m	M12-A3-8K5-10.0PUR/GY
DragChain	grey3m	M12-A3-8K5-3.0TL/GY
DragChain	grey5m	M12-A3-8K5-5.0TL/GY
DragChain	grey10m	M12-A3-8K5-10.0TL/GY



Junction Box


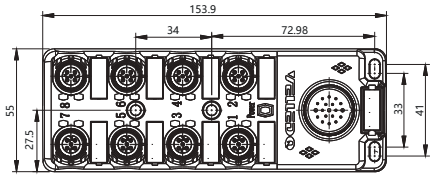
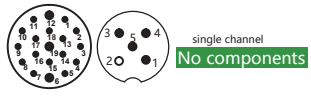
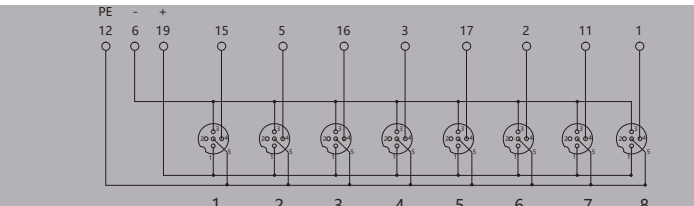


<p>Product drawing</p> 	<p>Product size</p> 	<p>Pin Assignment</p> 										
<p>Form</p> <table border="1"> <tr> <td>Length/Material Could be customized according to different enviroment ,like extrame tempreture and acid/alkali</td> <td></td> </tr> <tr> <td>Rated voltage</td> <td>24 V DC</td> </tr> <tr> <td>Rated current</td> <td>4A</td> </tr> <tr> <td>ProtectionClass(IEC 60529)</td> <td>IP65-IP67</td> </tr> <tr> <td>Ambient temperature</td> <td>-25~+65°C</td> </tr> </table>	Length/Material Could be customized according to different enviroment ,like extrame tempreture and acid/alkali		Rated voltage	24 V DC	Rated current	4A	ProtectionClass(IEC 60529)	IP65-IP67	Ambient temperature	-25~+65°C	<p>M12-A3-8K4P-M23 Circuit</p> 	<p>M12-A3-8K4N-M23 Circuit</p> 
Length/Material Could be customized according to different enviroment ,like extrame tempreture and acid/alkali												
Rated voltage	24 V DC											
Rated current	4A											
ProtectionClass(IEC 60529)	IP65-IP67											
Ambient temperature	-25~+65°C											

Matching cable of junction box



PVC	grey3m	M23-F19T11-3.0PVC/GY	M23-F19S11-3.0PVC/GY
PVC	grey5m	M23-F19T11-5.0PVC/GY	M23-F19S11-5.0PVC/GY
PVC	grey10m	M23-F19T11-10.0PVC/GY	M23-F19S11-10.0PVC/GY
PUR	grey3m	M23-F19T11-3.0PUR/GY	M23-F19S11-3.0PUR/GY
PUR	grey5m	M23-F19T11-5.0PUR/GY	M23-F19S11-5.0PUR/GY
PUR	grey10m	M23-F19T11-10.0PUR/GY	M23-F19S11-10.0PUR/GY
DragChain	grey3m	M23-F19T11-3.0TL/GY	M23-F19S11-3.0TL/GY
DragChain	grey5m	M23-F19T11-5.0TL/GY	M23-F19S11-5.0TL/GY
DragChain	grey10m	M23-F19T11-10.0TL/GY	M23-F19S11-10.0TL/GY

<p>Product drawing</p> 	<p>Product size</p> 	<p>Pin Assignment</p> 										
<p>Form</p> <table border="1"> <tr> <td>Length/Material Could be customized according to different enviroment ,like extrame tempreture and acid/alkali</td> <td></td> </tr> <tr> <td>Rated voltage</td> <td>24 V DC</td> </tr> <tr> <td>Rated current</td> <td>4A</td> </tr> <tr> <td>ProtectionClass(IEC 60529)</td> <td>IP65-IP67</td> </tr> <tr> <td>Ambient temperature</td> <td>-25~+65°C</td> </tr> </table>	Length/Material Could be customized according to different enviroment ,like extrame tempreture and acid/alkali		Rated voltage	24 V DC	Rated current	4A	ProtectionClass(IEC 60529)	IP65-IP67	Ambient temperature	-25~+65°C	<p>M12-A3-8K4-M23 Circuit</p> 	
Length/Material Could be customized according to different enviroment ,like extrame tempreture and acid/alkali												
Rated voltage	24 V DC											
Rated current	4A											
ProtectionClass(IEC 60529)	IP65-IP67											
Ambient temperature	-25~+65°C											

Matching cable of junction box



Data ,CAD,3D document please refer to: WWW.VELLEDQ.COM



PVC	grey3m	M23-F19T11-3.0PVC/GY	M23-F19S11-3.0PVC/GY
PVC	grey5m	M23-F19T11-5.0PVC/GY	M23-F19S11-5.0PVC/GY
PVC	grey10m	M23-F19T11-10.0PVC/GY	M23-F19S11-10.0PVC/GY
PUR	grey3m	M23-F19T11-3.0PUR/GY	M23-F19S11-3.0PUR/GY
PUR	grey5m	M23-F19T11-5.0PUR/GY	M23-F19S11-5.0PUR/GY
PUR	grey10m	M23-F19T11-10.0PUR/GY	M23-F19S11-10.0PUR/GY
DragChain	grey3m	M23-F19T11-3.0TL/GY	M23-F19S11-3.0TL/GY
DragChain	grey5m	M23-F19T11-5.0TL/GY	M23-F19S11-5.0TL/GY
DragChain	grey10m	M23-F19T11-10.0TL/GY	M23-F19S11-10.0TL/GY

Product drawing	Product size	Pin Assignment
Form	M12-A3-8K5P-M23 Circuit	M12-A3-8K5N-M23 Circuit
Length/Material Could be customized according to different environment ,like extrame temprature and acid/alkali		
Rated voltage	24 V DC	
Rated current	4A	
ProtectionClass(IEC 60529)	IP65-IP67	
Ambient temperature	-25~+65°C	

Matching cable of junction box



PVC	grey3m	M23-F19T19-3.0PVC/GY	M23-F19S19-3.0PVC/GY
PVC	grey5m	M23-F19T19-5.0PVC/GY	M23-F19S19-5.0PVC/GY
PVC	grey10m	M23-F19T19-10.0PVC/GY	M23-F19S19-10.0PVC/GY
PUR	grey3m	M23-F19T19-3.0PUR/GY	M23-F19S19-3.0PUR/GY
PUR	grey5m	M23-F19T19-5.0PUR/GY	M23-F19S19-5.0PUR/GY
PUR	grey10m	M23-F19T19-10.0PUR/GY	M23-F19S19-10.0PUR/GY
DragChain	grey3m	M23-F19T19-3.0TL/GY	M23-F19S19-3.0TL/GY
DragChain	grey 5m	M23-F19T19-5.0TL/GY	M23-F19S19-5.0TL/GY
DragChain	grey10m	M23-F19T19-10.0TL/GY	M23-F19S19-10.0TL/GY

Product drawing	Product size	Pin Assignment
Form	M12-A3-8K5-M23	
Length/Material Could be customized according to different enviroment ,like extrame temprature and acid/alkali		
Rated voltage	24 V DC	
Rated current	4A	
ProtectionClass(IEC 60529)	IP65-IP67	
Ambient temperature	-25~+65°C	



Junction Box



Matched Cable



PVC	grey3m	M23-F19T19-3.0PVC/GY	M23-F19S19-3.0PVC/GY
PVC	grey5m	M23-F19T19-5.0PVC/GY	M23-F19S19-5.0PVC/GY
PVC	grey10m	M23-F19T19-10.0PVC/GY	M23-F19S19-10.0PVC/GY
PUR	grey3m	M23-F19T19-3.0PUR/GY	M23-F19S19-3.0PUR/GY
PUR	grey5m	M23-F19T19-5.0PUR/GY	M23-F19S19-5.0PUR/GY
PUR	grey10m	M23-F19T19-10.0PUR/GY	M23-F19S19-10.0PUR/GY
DragChain	grey3m	M23-F19T19-3.0TL/GY	M23-F19S19-3.0TL/GY
DragChain	grey5m	M23-F19T19-5.0TL/GY	M23-F19S19-5.0TL/GY
DragChain	grey10m	M23-F19T19-10.0TL/GY	M23-F19S19-10.0TL/GY

Product Picture	Product Size	Pin Assignment

Form	M12-A3-8K4P-DZP Circuit	M12-A3-8K4N-DZP Circuit
Length/Material Could be customized according to different environment ,like extrame temprature and acid/alkali		
Rated voltage	24V DC	
Rated current	4A	
ProtectionClass(IEC 60529)	IP65-IP67	
Ambient temperature	-25~+65°C	

Matched Cable



PVC	grey3m	DZP-F14S11-3.0PVC/GY
PVC	grey5m	DZP-F14S11-5.0PVC/GY
PVC	grey10m	DZP-F14S11-10.0PVC/GY
PUR	grey3m	DZP-F14S11-3.0PUR/GY
PUR	grey5m	DZP-F14S11-5.0PUR/GY
PUR	grey10m	DZP-F14S11-10.0PUR/GY
DragChain	grey3m	DZP-F14S11-3.0TL/GY
DragChain	grey5m	DZP-F14S11-5.0TL/GY
DragChain	grey10m	DZP-F14S11-10.0TL/GY

Product Picture	Product Size	Pin Assignment

Form	M12-A3-8K4-DZP Circuit
Length/Material Could be customized according to different environment ,like extrame temprature and acid/alkali	
Rated voltage	24V DC
Rated current	4A
ProtectionClass(IEC 60529)	IP65-IP67
Ambient temperature	-25~+65°C



Data ,CAD,3D document please refer to: WWW.VELLEDQ.COM



Junction Box



Matched Cable



PVC	grey3m	DZP-F14S11-3.0PVC/GY
PVC	grey5m	DZP-F14S11-5.0PVC/GY
PVC	grey10m	DZP-F14S11-10.0PVC/GY
PUR	grey3m	DZP-F14S11-3.0PUR/GY
PUR	grey5m	DZP-F14S11-5.0PUR/GY
PUR	grey10m	DZP-F14S11-10.0PUR/GY
DragChain	grey3m	DZP-F14S11-3.0TL/GY
DragChain	grey5m	DZP-F14S11-5.0TL/GY
DragChain	grey10m	DZP-F14S11-10.0TL/GY

Product Picture	Product Size	Pin Assignment
		 Dual channel PNP Dual channel NPN

Form	M12-A3-8K5P-DZP Circuit	M12-A3-8K5N-DZP Circuit
Length/Material Could be customized according to different environment ,like extrame temprature and acid/alkali		
Rated voltage	24V DC	
Rated current	4A	
ProtectionClass(IEC 60529)	IP65-IP67	
Ambient temperature	-25~+65°C	

Matched Cable



PVC	grey3m	DZP-F21S19-3.0PVC/GY
PVC	grey5m	DZP-F21S19-5.0PVC/GY
PVC	grey10m	DZP-F21S19-10.0PVC/GY
PUR	grey3m	DZP-F21S19-3.0PUR/GY
PUR	grey5m	DZP-F21S19-5.0PUR/GY
PUR	grey10m	DZP-F21S19-10.0PUR/GY
DragChain	grey3m	DZP-F21S19-3.0TL/GY
DragChain	grey5m	DZP-F21S19-5.0TL/GY
DragChain	grey10m	DZP-F21S19-10.0TL/GY

Product Picture	Product Size	Pin Assignment
		 Dual channel No components

Form	M12-A3-8K5-DZP Circuit
Length/Material Could be customized according to different environment ,like extrame temprature and acid/alkali	
Rated voltage	24V DC
Rated current	4A
ProtectionClass(IEC 60529)	IP65-IP67
Ambient temperature	-25~+65°C



Junction Box



Matched Cable



PVC	grey3m	DZP-F21S19-3.0PVC/GY
PVC	grey5m	DZP-F21S19-5.0PVC/GY
PVC	grey10m	DZP-F21S19-10.0PVC/GY
PUR	grey3m	DZP-F21S19-3.0PUR/GY
PUR	grey5m	DZP-F21S19-5.0PUR/GY
PUR	grey10m	DZP-F21S19-10.0PUR/GY
DragChain	grey3m	DZP-F21S19-3.0TL/GY
DragChain	grey5m	DZP-F21S19-5.0TL/GY
DragChain	grey10m	DZP-F21S19-10.0TL/GY

Product Picture	Product Size	Pin Assignment

PVC	grey3m	M12-12K4P-3.0PVC/GY	YE/GN	BU	BN	WH	GN	YE	GY	PK	RD	BK	PL	GY/PK	RD/BU	WH/GN	BN/GN
PVC	grey5m	M12-12K4P-5.0PVC/GY															
PVC	grey10m	M12-12K4P-10.0PVC/GY															
PUR	grey3m	M12-12K4P-3.0PUR/GY															
PUR	grey5m	M12-12K4P-5.0PUR/GY															
PUR	grey10m	M12-12K4P-10.0PUR/GY															
DragChain	grey3m	M12-12K4P-3.0TL/GY															
DragChain	grey5m	M12-12K4P-5.0TL/GY															
DragChain	grey10m	M12-12K4P-10.0TL/GY															

Circuit

Product Picture	Product Size	Pin Assignment

PVC	grey3m	M12-12K4N-3.0PVC/GY	YE/GN	BU	BN	WH	GN	YE	GY	PK	RD	BK	PL	GY/PK	RD/BU	WH/GN	BN/GN
PVC	grey5m	M12-12K4N-5.0PVC/GY															
PVC	grey10m	M12-12K4N-10.0PVC/GY															
PUR	grey3m	M12-12K4N-3.0PUR/GY															
PUR	grey5m	M12-12K4N-5.0PUR/GY															
PUR	grey10m	M12-12K4N-10.0PUR/GY															
DragChain	grey3m	M12-12K4N-3.0TL/GY															
DragChain	grey5m	M12-12K4N-5.0TL/GY															
DragChain	grey10m	M12-12K4N-10.0TL/GY															

Circuit

Length/Material Could be customized according to different environment ,like extrame temperture and acid/alkali

Rated voltage	24 V DC
Rated current	4A
Cable specification	12*0.34mm ² +3*0.75mm ²
ProtectionClass(IEC 60529)	IP65-IP67
Ambient temperature	-25~+65°C



Data ,CAD,3D document please refer to: WWW.VELLEDQ.COM



Junction Box



Product Picture	Product Size	Pin Assignment

PVC	grey3m	M12-12K4-3.0PVC/GY	<p>Circuit</p>
PVC	grey5m	M12-12K4-5.0PVC/GY	
PVC	grey10m	M12-12K4-10.0PVC/GY	
PUR	grey3m	M12-12K4-3.0PUR/GY	
PUR	grey5m	M12-12K4-5.0PUR/GY	
PUR	grey10m	M12-12K4-10.0PUR/GY	
DragChain	grey3m	M12-12K4-3.0TL/GY	
DragChain	grey5m	M12-12K4-5.0TL/GY	
DragChain	grey10m	M12-12K4-10.0TL/GY	

Product Picture	Product Size	Pin Assignment

Form	M12-12K4P-M23	Circuit
Length/Material Could be customized according to different environment ,like extrame temprature and acid/alkali		
Rated voltage	24 V DC	
Rated current	4A	
ProtectionClass(IEC 60529)	IP65-IP67	
Ambient temperature	-25~+65°C	

Matched Cable



PVC	grey3m	M23-F19T15-3.0PVC/GY	M23-F19S15-3.0PVC/GY
PVC	grey5m	M23-F19T15-5.0PVC/GY	M23-F19S15-5.0PVC/GY
PVC	grey10m	M23-F19T15-10.0PVC/GY	M23-F19S15-10.0PVC/GY
PUR	grey3m	M23-F19T15-3.0PUR/GY	M23-F19S15-3.0PUR/GY
PUR	grey5m	M23-F19T15-5.0PUR/GY	M23-F19S15-5.0PUR/GY
PUR	grey10m	M23-F19T15-10.0PUR/GY	M23-F19S15-10.0PUR/GY
DragChain	grey3m	M23-F19T15-3.0TL/GY	M23-F19S15-3.0TL/GY
DragChain	grey5m	M23-F19T15-5.0TL/GY	M23-F19S15-5.0TL/GY
DragChain	grey10m	M23-F19T15-10.0TL/GY	M23-F19S15-10.0TL/GY

Form	M12-12K4N-M23	Circuit
Length/Material Could be customized according to different environment ,like extrame temprature and acid/alkali		
Rated voltage	24 V DC	
Rated current	4A	
ProtectionClass(IEC 60529)	IP65-IP67	
Ambient temperature	-25~+65°C	



Junction Box



Matched Cable

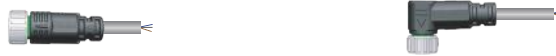


PVC	grey3m	M23-F19T15-3.0PVC/GY	M23-F19S15-3.0PVC/GY
PVC	grey5m	M23-F19T15-5.0PVC/GY	M23-F19S15-5.0PVC/GY
PVC	grey10m	M23-F19T15-10.0PVC/GY	M23-F19S15-10.0PVC/GY
PUR	grey3m	M23-F19T15-3.0PUR/GY	M23-F19S15-3.0PUR/GY
PUR	grey5m	M23-F19T15-5.0PUR/GY	M23-F19S15-5.0PUR/GY
PUR	grey10m	M23-F19T15-10.0PUR/GY	M23-F19S15-10.0PUR/GY
DragChain	grey3m	M23-F19T15-3.0TL/GY	M23-F19S15-3.0TL/GY
DragChain	grey5m	M23-F19T15-5.0TL/GY	M23-F19S15-5.0TL/GY
DragChain	grey10m	M23-F19T15-10.0TL/GY	M23-F19S15-10.0TL/GY

Product Picture	Product Size	Pin Assignment

Form	M12-12K4-M23	Circuit
Length/Material Could be customized according to different environment ,like extrame temprature and acid/alkali		
Rated voltage	24V DC	
Rated current	4A	
ProtectionClass(IEC 60529)	IP65-IP67	
Ambient temperature	-25~+65°C	

Matched Cable



PVC	grey3m	M23-F19T15-3.0PVC/GY	M23-F19S15-3.0PVC/GY
PVC	grey5m	M23-F19T15-5.0PVC/GY	M23-F19S15-5.0PVC/GY
PVC	grey10m	M23-F19T15-10.0PVC/GY	M23-F19S15-10.0PVC/GY
PUR	grey3m	M23-F19T15-3.0PUR/GY	M23-F19S15-3.0PUR/GY
PUR	grey5m	M23-F19T15-5.0PUR/GY	M23-F19S15-5.0PUR/GY
PUR	grey10m	M23-F19T15-10.0PUR/GY	M23-F19S15-10.0PUR/GY
DragChain	grey3m	M23-F19T15-3.0TL/GY	M23-F19S15-3.0TL/GY
DragChain	grey5m	M23-F19T15-5.0TL/GY	M23-F19S15-5.0TL/GY
DragChain	grey10m	M23-F19T15-10.0TL/GY	M23-F19S15-10.0TL/GY

Product Picture	Product Size	Pin Assignment

Form	M12-12K4P-DZP	Circuit
Length/Material Could be customized according to different enviroment ,like extrame temprature and acid/alkali		
Rated voltage	24V DC	
Rated current	4A	
ProtectionClass(IEC 60529)	IP65-IP67	
Ambient temperature	-25~+65°C	



Data ,CAD,3D document please refer to: WWW.VELLEDQ.COM



Junction Box



Matched Cable



PVC	grey3m	DZP-F20S15-3.0PVC/GY
PVC	grey5m	DZP-F20S15-5.0PVC/GY
PVC	grey10m	DZP-F20S15-10.0PVC/GY
PUR	grey3m	DZP-F20S15-3.0PUR/GY
PUR	grey5m	DZP-F20S15-5.0PUR/GY
PUR	grey10m	DZP-F20S15-10.0PUR/GY
DragChain	grey3m	DZP-F20S15-3.0TL/GY
DragChain	grey5m	DZP-F20S15-5.0TL/GY
DragChain	grey10m	DZP-F20S15-10.0TL/GY

Product Picture	Product Size	Pin Assignment

Form	M12-12K4N-DZP	Circuit
Length/Material Could be customized according to different environment ,like extrim temperature and acid/alkali		
Rated voltage	24V DC	
Rated current	4A	
ProtectionClass(IEC 60529)	IP65-IP67	
Ambient temperature	-25~+65°C	

Matched Cable



PVC	grey3m	DZP-F20S15-3.0PVC/GY
PVC	grey5m	DZP-F20S15-5.0PVC/GY
PVC	grey10m	DZP-F20S15-10.0PVC/GY
PUR	grey3m	DZP-F20S15-3.0PUR/GY
PUR	grey5m	DZP-F20S15-5.0PUR/GY
PUR	grey10m	DZP-F20S15-10.0PUR/GY
DragChain	grey3m	DZP-F20S15-3.0TL/GY
DragChain	grey5m	DZP-F20S15-5.0TL/GY
DragChain	grey10m	DZP-F20S15-10.0TL/GY

Product Picture	Product Size	Pin Assignment

Form	M12-12K4-DZP	Circuit
Length/Material Could be customized according to different environment ,like extrim temperature and acid/alkali		
Rated voltage	24V DC	
Rated current	4A	
ProtectionClass(IEC 60529)	IP65-IP67	
Ambient temperature	-25~+65°C	



Junction Box

Matched Cable



PVC	grey3m	DZP-F20S15-3.0PVC/GY
PVC	grey5m	DZP-F20S15-5.0PVC/GY
PVC	grey10m	DZP-F20S15-10.0PVC/GY
PUR	grey3m	DZP-F20S15-3.0PUR/GY
PUR	grey5m	DZP-F20S15-5.0PUR/GY
PUR	grey10m	DZP-F20S15-10.0PUR/GY
DragChain	grey3m	DZP-F20S15-3.0TL/GY
DragChain	grey5m	DZP-F20S15-5.0TL/GY
DragChain	grey10m	DZP-F20S15-10.0TL/GY



Communicate Now

Data ,CAD,3D document please refer to: WWW.VELLEDQ.COM



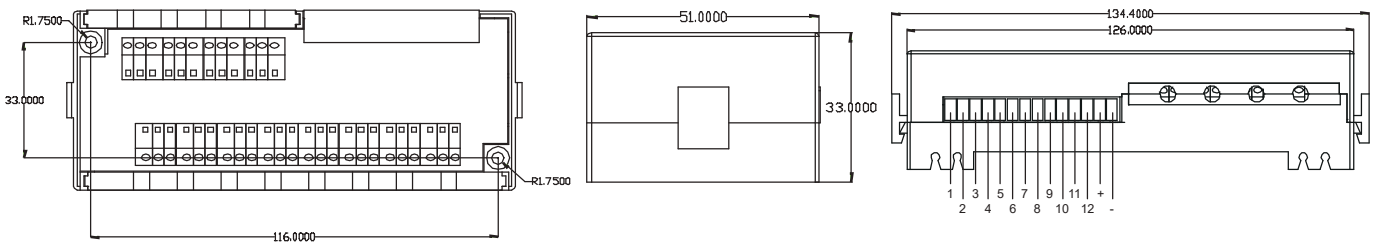
ISO 9001 (2015) quality management system

IP20 Terminal Desktop Junction Box 12 Bit PNP

Product Picture



Product size



Form DZT-12K3-FXH DZT-12K3N-FXH DZT-12K3P-FXH

Electrical parameters	
EMV compliance	Not Shieldable
Rated voltage	24V DC Max 30V DC
Volume resistivity	≤3mΩ
Rated current	12A
Rated current (40°C)	2A
status display	YES YE (Signal) GN (Power)
Overtoltage category	II
Material group	II

General parameters	
Forming method	Assembly
Number of holes	3Pin
Material of house	PA6
Mechanical operation	> 100mating cycles
Degree of protection	IP65 (When connected correctly)
Flame retardant grade	UL94-HB
Pollution degree	3
Temperature	-20°C-+85°C





Quick Wiring Junction Box

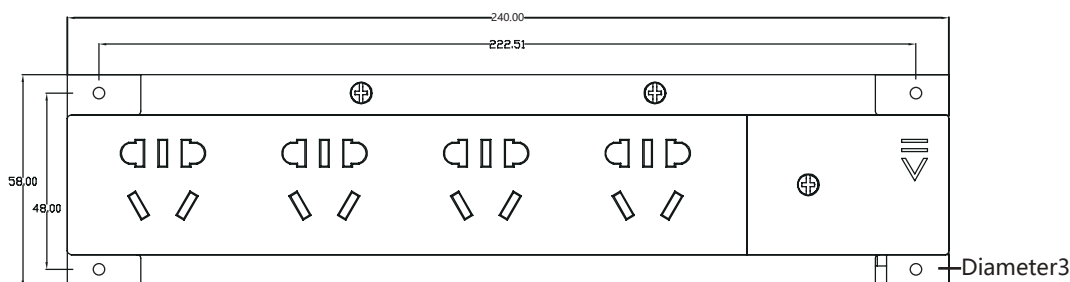


Quick Wiring Junction Box



ISO 9001 (2015) quality management system

Product Picture



Form	VL-4K10A-CPPC
Describe	Screw piercing power shunt socket
Colour	Black and white
Brand	VELLEDQ
Hole location	4hole
Rated voltage	250V
Rated power	4000W
Rated current	10A

enclosure



Form:VL-BDLTT

Flat cable head cover



Form:VL-PVC3G1.5BDL.BK
Form:VL -PUR3G1.5BDL.BK

Flat cable

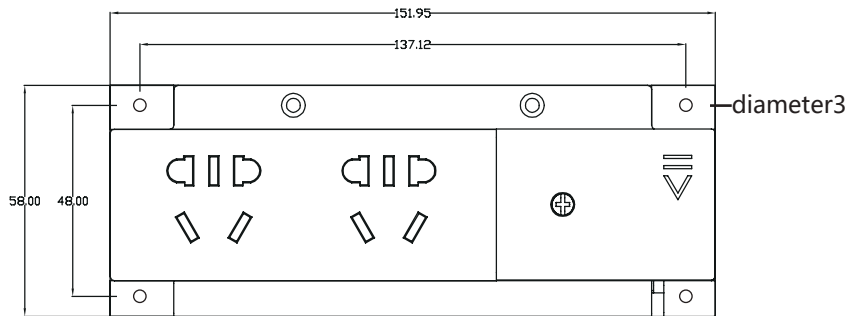
Form:VL-PVC3G2.5BDL.BK
Form:VL -PUR3G2.5BDL.BK



Quick Wiring Junction Box



ISO 9001 (2015) quality management system



Form Form	VL-2K10A-CPPC
Describe	Screw piercing power shunt socket
Colour	Black and white
Brand	VELLEDQ
Hole location	2hole
Rated voltage	250V
Rated power	4000W
Rated current	10A

enclosure



Form:VL-BDLTT

Flat cable head cover



Form:VL-PVC3G1.5BDL.BK
Form:VL-PUR3G1.5BDL.BK

Flat cable

Form:VL-PVC3G2.5BDL.BK
Form:VL-PUR3G2.5BDL.BK



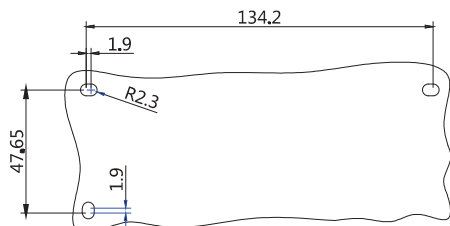
Data ,CAD,3D document please refer to: WWW.VELLEDQ.COM

Quick Wiring Junction Box

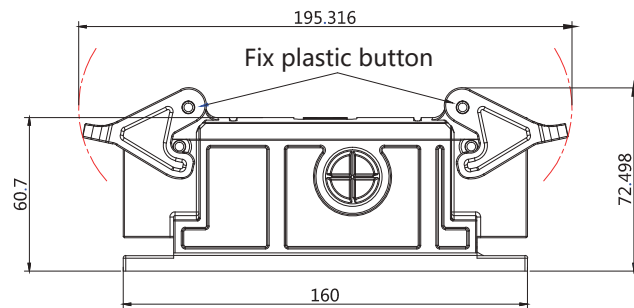
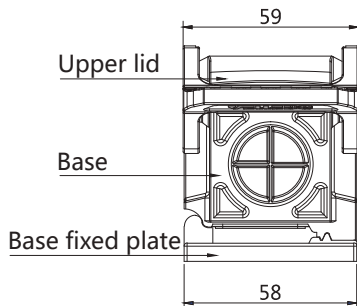
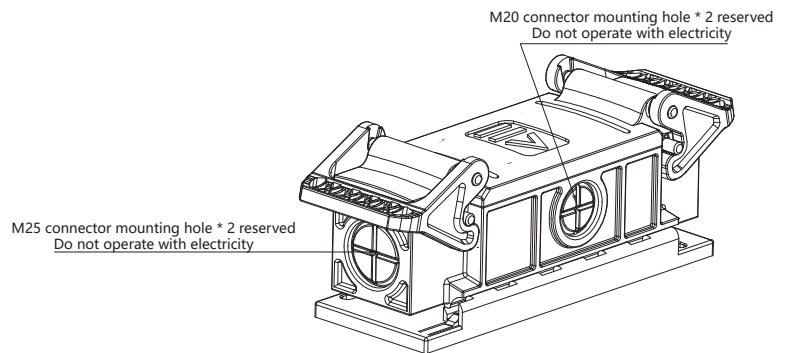


ISO 9001 (2015) quality management system

Product Picture

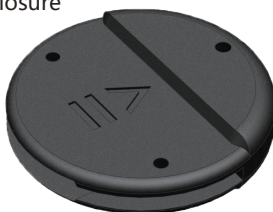


Size of opening for installation



Form	VL-BDL-JXH	
Describe	Flat cable junction box	
Rated voltage	500V	Line type2 Cage clamp connection
Rated current	20A	Minimum rated wiring 1.5mm ²
Degree of protection	IP65	Maximum rated wiring 4mm ²
Number of poles	7	Colour Black
Line type1	Infiltration connection	

Enclosure



Model:VL-BDLTT
Flat cable head cover



Form:VL-PVC7G4.0BDL.BK Form:VL-PUR7G4.0BDL.BK


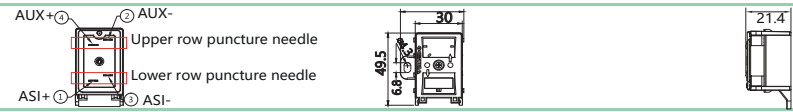
Flat cable



Communicate Now

Quick Wiring Junction Box



Product Picture 	Product size 
-------------------------------------------------------------------------------------------------------------	-----------------------------------------------------------------------------------------------------------


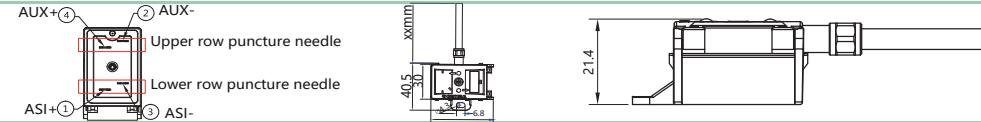
Form

ASI02-2LED&M12-F04S

General parameters		General parameters	
Connection mode	Termination	IDC Puncture	
Pin	Number of holes	4Pin	
Tightening torque	Tightening Torque	0.35Nm	
Plugging life	Mechanical operation	> 100 mating cycles	
Degree of protection	Degree of protection	IP40	
Flame retardant grade	Flame retardant grade	UL94-HB	
Executive standards	Implementation standard	IEC 61076-2-101	
Working temperature	Temperature	-20°C~+85°C	
Electrical parameters		Electrical parameters	
EMV compliance	EMV compliance	Not Shieldable	
Rated voltage	Rated voltage	60V	
Contact resistance	Volume resistivity	≤3mΩ	
Rated current	Rated current(40°C)	4A	
Environmental protection grade	Pollution degree	3	
Withstand voltage level	Overvoltage category	II	
Insulation class	Material group	II	
Product material parameters		Material Parameters	
Forming method	Forming method	Injection molding	
Connector locking system	Connector locking system	M12*1Threaded connection Bolted M12*1 NBR	
O-ring material	O-Ring	PA(black)	
Plastic material for injection molding	Plastic insulator material		
Contact material	Material of contact	Cu+Zn(Alloy)	
Contact point coating	Contact plating	Au(gold)	
Material of plastic part of contact pin carrier	Material of contact body	PA66	
Lock nut material	Nut material	brass nickel plated	

ASI Junction Box



Product Picture 	Product size 
---------------------------------------------------------------------------------------------------------------	-------------------------------------------------------------------------------------------------------------

Form

ASI02-2LED-PVC&BK

General parameters		General parameters	
Connection mode	Termination	IDC Puncture	
Pin	Number of holes	4Pin	
Tightening torque	Tightening Torque	0.35Nm	
Plugging life	Mechanical operation	> 100 mating cycles	
Degree of protection	Degree of protection	IP40	
Flame retardant grade	Flame retardant grade	UL94-HB	
Executive standards	Implementation standard	IEC 61076-2-101	
working temperature	Temperature	-20°C~+85°C	
Electrical parameters		Electrical parameters	
EMV compliance	EMV compliance	Not Shieldable	
Rated voltage	Rated voltage	60V	
Contact resistance	Volume resistivity	≤3mΩ	
Rated current	Rated current(40°C)	4A	
Environmental protection grade	Pollution degree	3	
Withstand voltage level	Overvoltage category	II	
Insulation class	Material group	II	
Product material parameters		Material Parameters	
Forming method	Forming method	Injection molding	
Connector locking system	Connector locking system	M12*1Threaded connection Bolted M12*1 NBR	
O-ring material	O-Ring	PA(black)	
Plastic material for injection molding	Plastic insulator material		
Contact material	Material of contact	Cu+Zn(Alloy)	
Contact point coating	Contact plating	Au(gold)	
Material of plastic part of contact pin carrier	Material of contact body	PA66	
Lock nut material	Nut material	brass nickel plated	

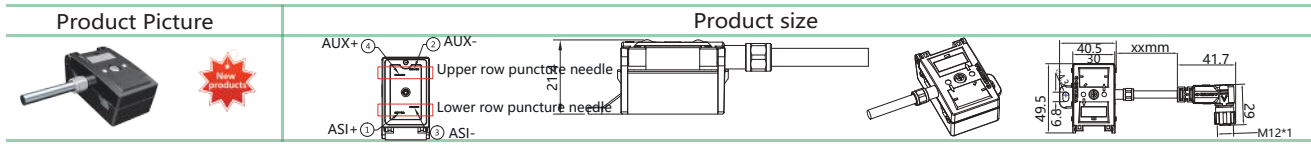


Data ,CAD,3D document please refer to: WWW.VELLEDQ.COM



ISO 9001 (2015) quality management system

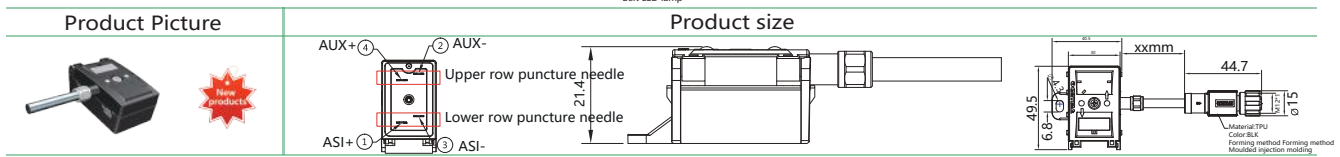
Quick Wiring Junction Box



ASI02-LED&M12-F05S-PVC&BK

General parameters		General parameters	
Connection mode	Termination	IDC Puncture	
Pin	Number of holes	4Pin	
Tightening torque	Tightening Torque	0.35Nm	
Plugging life	Mechanical operation	> 100 mating cycles	
Degree of protection	Degree of protection	IP40	
Flame retardant grade	Flame retardant grade	UL94-HB	
Executive standards	Implementation standard	IEC 61076-2-101	
Working temperature	Temperature	-20°C~+85°C	
Electrical parameters		Electrical parameters	
EMV compliance	EMV compliance	Not Shieldable	
Rated voltage	Rated voltage	60V	
contact resistance	Volume resistivity	≤3mΩ	
Rated current	Rated current(40°C)	4A	
Environmental protection grade	Pollution degree	3	
Withstand voltage level	Overvoltage category	II	
Insulation class	Material group	II	
Product material parameters	Material Parameters		
Forming method	Forming method	Injection molding	
Connector locking system	Connector locking system	M12*1Threaded connection Bolted M12*1 NBR	
O-ring material	O-Ring	PA(black)	
Plastic material for injection molding		Plastic insulator material	
Contact material	Material of contact	Cu+Zn(Alloy)	
Contact point coating	Contact plating	Au(gold)	
Material of plastic part of contact pin carrier	Material of contact body	PA66	
Lock nut material	Nut material	Brass nickel plated	

ASI Junction Box




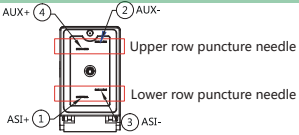

Form ASI02-LED&M12-F05T-xxPVC&BK

General parameters		General parameters	
Connection mode	Termination	IDC Puncture	
Pin	Number of holes	4Pin	
Tightening torque	Tightening Torque	0.35Nm	
Plugging life	Mechanical operation	> 100 mating cycles	
Degree of protection	Degree of protection	IP40	
Flame retardant grade	Flame retardant grade	UL94-HB	
Executive standards	Implementation standard	IEC 61076-2-101	
working temperature	Temperature	-20°C~+85°C	
Electrical parameters		Electrical parameters	
EMV compliance	EMV compliance	Not Shieldable	
Rated voltage	Rated voltage	60V	
Contact resistance	Volume resistivity	≤3mΩ	
Rated current	Rated current(40°C)	4A	
Environmental protection grade	Pollution degree	3	
Withstand voltage level	Overvoltage category	II	
Insulation class	Material group	II	
Product material parameters		Material Parameters	
Forming method	Forming method	Injection molding	
Connector locking system	Connector locking system	M12*1Threaded connection	
O-ring material	O-Ring	Bolted M12*1 NBR	
Plastic material for injection molding	Plastic insulator material	PA(black)	
Contact material	Material of contact	Cu+Zn(Alloy)	
Contact point coating	Contact plating	Au(gold)	
Material of plastic part of contact pin carrier	Material of contact body	PA66	
Lock nut material	Nut material	Brass nickel plated	



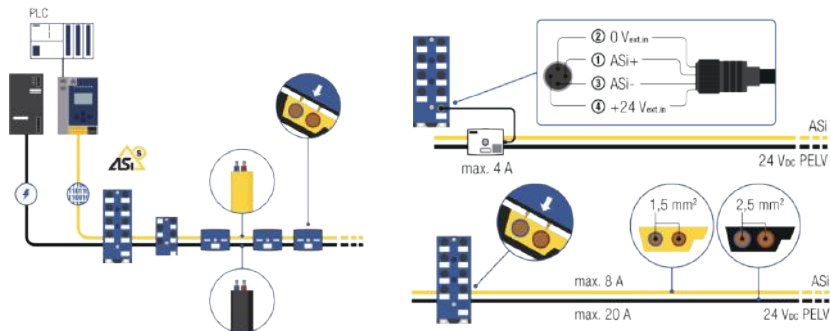
Quick Wiring Junction Box



Product Picture	Product size	
		

Form		ASI02-2LED
General parameters	General parameters	
Connection mode	Termination	IDC Puncture
Pin	Number of holes	4Pin
Tightening torque	Tightening Torque	0.35Nm
Plugging life	Mechanical operation	> 100 mating cycles
Degree of protection	Degree of protection	IP40
Flame retardant grade	Flame retardant grade	UL94-HB
Executive standards	Implementation standard	IEC 61076-2-101
Working temperature	Temperature	-20°C~+85°C
Electrical parameters	Electrical parameters	
EMV compliance	EMV compliance	Not Shieldable
Rated voltage	Rated voltage	60V
Contact resistance	Volume resistivity	≤3mΩ
Rated current	Rated current(40°C)	4A
Environmental protection grade	Pollution degree	3
Withstand voltage level	Overvoltage category	II
Insulation class	Material group	II
Product material parameters	Material Parameters	
Forming method	Forming method	Injection molding
Connector locking system	Connector locking system	M12*1Threaded connection Bolted M12*1 NBR
O-ring material	O-Ring	PA(black)
Plastic material for injection molding	Plastic insulator material	
Contact material	Material of contact	Cu+Zn(Alloy)
Contact point coating	Contact plating	Au(gold)
Material of plastic part of contact pin carrier	Material of contact body	PA66
Lock nut material	Nut material	Brass nickel plated

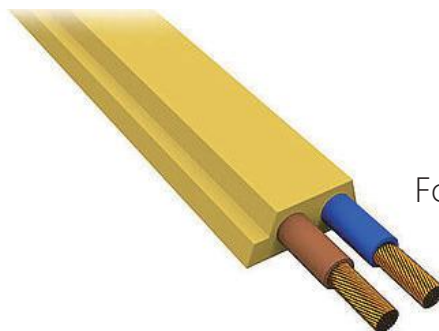
Schematic diagram of ASI junction box connection



ASi Cable, yellow

- For communication and power supply
- Cross sectional area: 1,5 mm²
- Normal flexibility (BW1979)
- High flexibility (BW2756)

Form: ASI-2*1.5-100PVC



Data ,CAD,3D document please refer to: WWW.VELLEDQ.COM



ISO 9001 (2015) quality management system

M19 Connector

Field-wireable

Product Picture	Product size	Mounting Size	Pin Assignment
Form F19-KJJT-DZ			
Product parameters			
Number of cores	19 cores	Contact resistance	≤3mΩ
Rated voltage	300V	Connection mode	Snap connection
Rated current	15A	Wiring mode	Riveting
Texture of material	PC material		
Core specification	15 cores (0.75-1.5mm ²) /4-core (2.5mm ²)		

Field-wireable

Product Picture	Product size	Product size	Pin Assignment
Form M19S-KJJT-CT		Form M19T-KJJT-CT	
Product parameters			
Number of cores	19 cores	Contact resistance	≤3mΩ
Rated voltage	300V	Connection mode	Snap connection
Rated current	15A	Wiring mode	Riveting
Texture of material	PC material		
Core specification	15 cores (0.75-1.5mm ²) /4-core (2.5mm ²)		


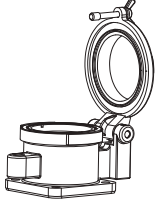
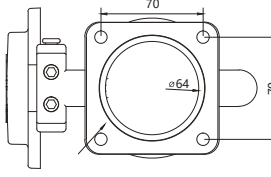
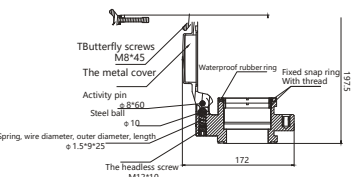

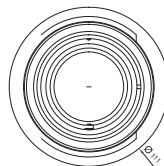
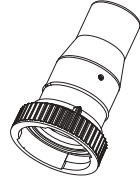
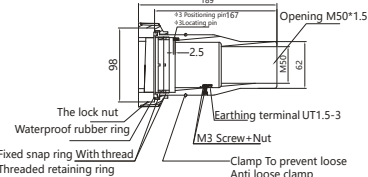

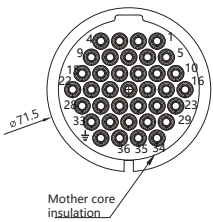
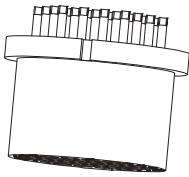
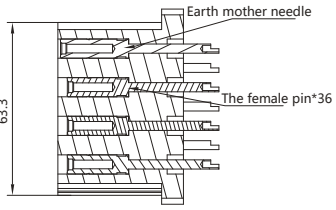

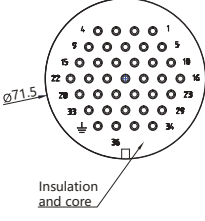
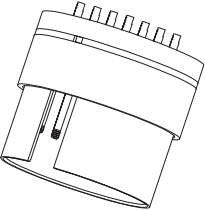
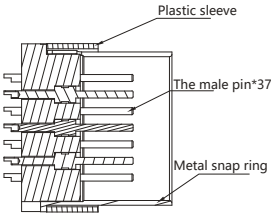
Form	M19S-KJJT-CT	M19T-KJJT-CT	
Product parameters			
Number of cores	19 cores	Contact resistance	≤3mΩ
Rated voltage	300V	Connection mode	Snap connection
Rated current	15A	Wiring mode	Riveting
Texture of material	PC material		
Core specification	15 cores (0.75-1.5mm ²) /4-core (2.5mm ²)		

Pin	19-core connector female pin diagram		Pin diagram of 19-core connecto	
Pin Assignment				
Product Picture				
Product size				
Form	KJJT-CZ-DSF-1.5	KJJT-CZ-DSF-2.5	CDSM-1.5	CDSM-2.5

Product parameters			
Contact resistance	≤3mΩ	Wiring mode	Riveting
Rated voltage	300V		
Rated current	15A		
Texture of material	Silver plating on copper		
Core specification	15 cores (0.75-1.5mm ²) /4-core (2.5mm ²)		



99 Product

Product Picture	Product size		
 <p>Form VL-037-K-MCV</p>		 <p>Waterproof Rubber mat</p>	
 <p>Form VL-037-T-M50</p>			
 <p>Form VL-F37-2.5HB</p>	 <p>Mother core insulation</p>		
 <p>Form VL-M37-2.5HB</p>	 <p>Insulation and core</p>		

Semiconductor Connector

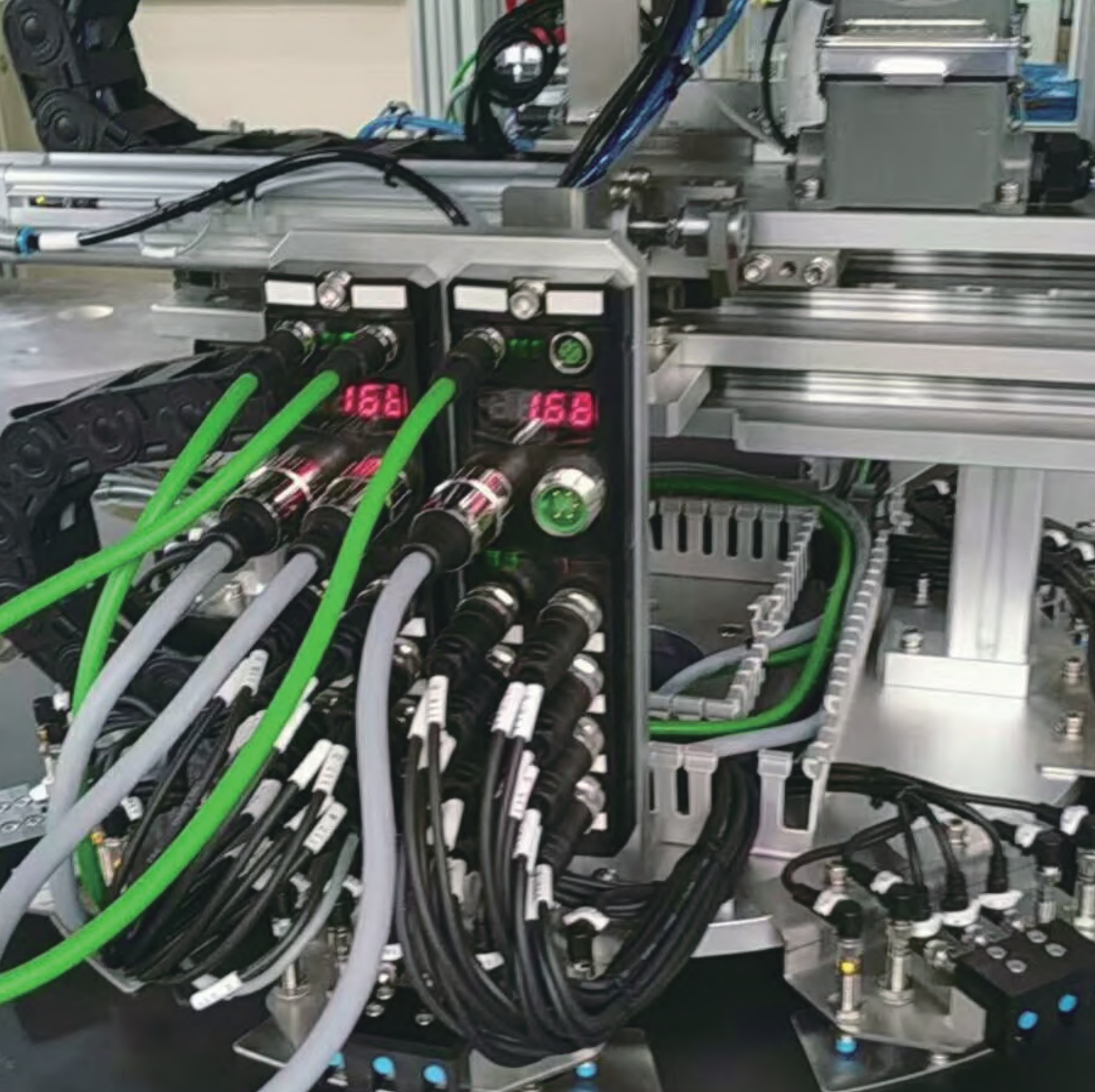
Product Picture	Product size
	
Form WL-DB-M120	
Electrical parameters	
Rated voltage 24V DC±25%	Colour Black
Wire core specification 60*2*0.25mm ²	Ambient temperature -25 °C + 85 °C
Degree of protection IP65~IP67	



Data ,CAD,3D document please refer to: WWW.VELLEDQ.COM



ISO 9001 (2015) quality management system



Bus protocol Connector/Harness

Bus Protocol Wiring Harness



Field-writable



Product Picture	Product Size	Circuit	Pin Assignment	Circuit	Pin Assignment
Form		M12P-DM04S	M12P-DF04S	Common spare parts	

Single end pre cast harness

with open ended wires



Product Picture	Product Size	Circuit	Pin Assignment

Form	Score	Score	
Fixed installation purple3m	M12P-BM05T-3.0PBGD/VT	M12P-BM05S-3.0PBGD/VT	Common spare parts
Fixed installation purple5m	M12P-BM05T-5.0PBGD/VT	M12P-BM05S-5.0PBGD/VT	
Fixed installation purple10m	M12P-BM05T-10.0PBGD/VT	M12P-BM05S-10.0PBGD/VT	
Mobile installation purple3m	M12P-BM05T-3.0PBYD/VT	M12P-BM05S-3.0PBYD/VT	
Mobile installation purple5m	M12P-BM05T-5.0PBYD/VT	M12P-BM05S-5.0PBYD/VT	
Mobile installation purple10m	M12P-BM05T-10.0PBYD/VT	M12P-BM05S-10.0PBYD/VT	
DragChain purple3m	M12P-BM05T-3.0PBT/VT	M12P-BM05S-3.0PBT/VT	
DragChain purple5m	M12P-BM05T-5.0PBT/VT	M12P-BM05S-5.0PBT/VT	
DragChain purple10m	M12P-BM05T-10.0PBT/VT	M12P-BM05S-10.0PBT/VT	

Single end pre cast harness

with open ended wires



Product Picture	Product Size	Circuit	Pin Assignment

Form	Score	Score	
Fixed installation purple3m	M12P-BF05T-3.0PBGD/VT	M12P-BF05S-3.0PBGD/VT	Common spare parts
Fixed installation purple5m	M12P-BF05T-5.0PBGD/VT	M12P-BF05S-5.0PBGD/VT	
Fixed installation purple10m	M12P-BF05T-10.0PBGD/VT	M12P-BF05S-10.0PBGD/VT	
Mobile installation purple3m	M12P-BF05T-3.0PBYD/VT	M12P-BF05S-3.0PBYD/VT	
Mobile installation purple5m	M12P-BF05T-5.0PBYD/VT	M12P-BF05S-5.0PBYD/VT	
Mobile installation purple10m	M12P-BF05T-10.0PBYD/VT	M12P-BF05S-10.0PBYD/VT	
DragChain purple3m	M12P-BF05T-3.0PBT/VT	M12P-BF05S-3.0PBT/VT	
DragChain purple5m	M12P-BF05T-5.0PBT/VT	M12P-BF05S-5.0PBT/VT	
DragChain purple10m	M12P-BF05T-10.0PBT/VT	M12P-BF05S-10.0PBT/VT	

Length/Material Could be customized according to different environment ,like extrame temprature and acid/alkali

Rated voltage	48 V AC	60 V DC
electric current	4A	
Cable specification	1*2*19AWG	
ProtectionClass(IEC 60529)	IP67	
Ambient temperature	-25~+85°C	
Signal classification	PROFIBUS	12Mbps(Longest100M)



Communicate Now

Data ,CAD,3D document please refer to: WWW.VELLEDQ.COM



ISO 9001 (2015) quality management system

Bus Protocol Wiring Harness



Form	Score	Score
Fixed installation purple3m	M12P-BM05T/BF05T-3.0PBGD/VT	M12P-BM05S/BF05S-3.0PBGD/VT
Fixed installation purple5m	M12P-BM05T/BF05T-5.0PBGD/VT	M12P-BM05S/BF05S-5.0PBGD/VT
Fixed installation purple10m	M12P-BM05T/BF05T-10.0PBGD/VT	M12P-BM05S/BF05S-10.0PBGD/VT
Mobile installation purple3m	M12P-BM05T/BF05T-3.0PBYD/VT	M12P-BM05S/BF05S-3.0PBYD/VT
Mobile installation purple5m	M12P-BM05T/BF05T-5.0PBYD/VT	M12P-BM05S/BF05S-5.0PBYD/VT
Mobile installation purple10m	M12P-BM05T/BF05T-10.0PBYD/VT	M12P-BM05S/BF05S-10.0PBYD/VT
DragChain purple3m	M12P-BM05T/BF05T-3.0PBT/VT	M12P-BM05S/BF05S-3.0PBT/VT
DragChain purple5m	M12P-BM05T/BF05T-5.0PBT/VT	M12P-BM05S/BF05S-5.0PBT/VT
DragChain purple10m	M12P-BM05T/BF05T-10.0PBT/VT	M12P-BM05S/BF05S-10.0PBT/VT

Length/Material Could be customized according to different environment, like extreme temperature and acid/alkali

Rated voltage	48 V AC	60 V DC
electric current	4A	
Cable specification	1*2*19AWG	
ProtectionClass(IEC 60529)	IP67	
Ambient temperature	-25~+85°C	
Signal classification	PROFIBUS	12Mbps(Longest100M)

Single end pre cast harness with open ended wires



Product Picture	Product Size	Circuit	Pin Assignment

Form	Score	Score
Fixed installation black3m	M12P-M05T-3.0DNGD/BK	M12P-M05S-3.0DNGD/BK
Fixed installation black5m	M12P-M05T-5.0DNGD/BK	M12P-M05S-5.0DNGD/BK
Fixed installation black10m	M12P-M05T-10.0DNGD/BK	M12P-M05S-10.0DNGD/BK
Mobile installation black3m	M12P-M05T-3.0DNVD/BK	M12P-M05S-3.0DNVD/BK
Mobile installation black5m	M12P-M05T-5.0DNVD/BK	M12P-M05S-5.0DNVD/BK
Mobile installation black10m	M12P-M05T-10.0DNVD/BK	M12P-M05S-10.0DNVD/BK
DragChain black3m	M12P-M05T-3.0DNLD/BK	M12P-M05S-3.0DNLD/BK
DragChain black5m	M12P-M05T-5.0DNLD/BK	M12P-M05S-5.0DNLD/BK
DragChain black10m	M12P-M05T-10.0DNLD/BK	M12P-M05S-10.0DNLD/BK

Common spare parts

Single end pre cast harness with open ended wires



Product Picture	Product Size	Circuit	Pin Assignment

Form	Score	Score
Fixed installation black3m	M12P-F05T-3.0DNGD/BK	M12P-F05S-3.0DNGD/BK
Fixed installation black5m	M12P-F05T-5.0DNGD/BK	M12P-F05S-5.0DNGD/BK
Fixed installation black10m	M12P-F05T-10.0DNGD/BK	M12P-F05S-10.0DNGD/BK
Mobile installation black3m	M12P-F05T-3.0DNVD/BK	M12P-F05S-3.0DNVD/BK
Mobile installation black5m	M12P-F05T-5.0DNVD/BK	M12P-F05S-5.0DNVD/BK
Mobile installation black10m	M12P-F05T-10.0DNVD/BK	M12P-F05S-10.0DNVD/BK
DragChain black3m	M12P-F05T-3.0DNLD/BK	M12P-F05S-3.0DNLD/BK
DragChain black5m	M12P-F05T-5.0DNLD/BK	M12P-F05S-5.0DNLD/BK
DragChain black10m	M12P-F05T-10.0DNLD/BK	M12P-F05S-10.0DNLD/BK

Commo



Data ,CAD,3D document please refer to: WWW.VELLEDQ.COM



ISO 9001 (2015) quality management system

Bus Protocol Wiring Harness



Double end pre cast harness
Connection cable



Product Picture	Product Size	Circuit	Pin Assignment

Form	Score	Score
Fixed installation black3m	M12P-M05T/F05T-3.0DNGD/BK	M12P-M05S/F05S-3.0DNGD/BK
Fixed installation black5m	M12P-M05T/F05T-5.0DNGD/BK	M12P-M05S/F05S-5.0DNGD/BK
Fixed installation black10m	M12P-M05T/F05T-10.0DNGD/BK	M12P-M05S/F05S-10.0DNGD/BK
Mobile installation black3m	M12P-M05T/F05T-3.0DNYD/BK	M12P-M05S/F05S-3.0DNYD/BK
Mobile installation black5m	M12P-M05T/F05T-5.0DNYD/BK	M12P-M05S/F05S-5.0DNYD/BK
Mobile installation black10m	M12P-M05T/F05T-10.0DNYD/BK	M12P-M05S/F05S-10.0DNYD/BK
DragChain black3m	M12P-M05T/F05T-3.0DNTL/BK	M12P-M05S/F05S-3.0DNTL/BK
DragChain black5m	M12P-M05T/F05T-5.0DNTL/BK	M12P-M05S/F05S-5.0DNTL/BK
DragChain black10m	M12P-M05T/F05T-10.0DNTL/BK	M12P-M05S/F05S-10.0DNTL/BK

Length/Material Could be customized according to different environment, like extreme temperature and acid/alkali

Rated voltage	48 V AC	60 V DC
Cable specification	2*22AWG+2*24AWG	
ProtectionClass(IEC 60529)	IP67	
Ambient temperature	-25~+85°C	

Single end pre cast harness
with open ended wires



Product Picture	Product Size	Circuit	Pin Assignment

Form	Score	Score
Fixed installation grey3m	7/8P-M05T-3.0DNGD/GY	7/8P-F05T-3.0DNGD/GY
Fixed installation grey5m	7/8P-M05T-5.0DNGD/GY	7/8P-F05T-5.0DNGD/GY
Fixed installation grey10m	7/8P-M05T-10.0DNGD/GY	7/8P-F05T-10.0DNGD/GY
Mobile installation grey3m	7/8P-M05T-3.0DNYD/GY	7/8P-F05T-3.0DNYD/GY
Mobile installation grey5m	7/8P-M05T-5.0DNYD/GY	7/8P-F05T-5.0DNYD/GY
Mobile installation grey10m	7/8P-M05T-10.0DNYD/GY	7/8P-F05T-10.0DNYD/GY
DragChain grey3m	7/8P-M05T-3.0DNLT/GY	7/8P-F05T-3.0DNLT/GY
DragChain grey5m	7/8P-M05T-5.0DNLT/GY	7/8P-F05T-5.0DNLT/GY
DragChain grey10m	7/8P-M05T-10.0DNLT/GY	7/8P-F05T-10.0DNLT/GY

Common spare parts

Double end pre cast harness
Connection cable



Product Picture	Product Size	Circuit	Pin Assignment

Form	Score	Score
Fixed installation grey3m	7/8P-M05T/F05T-3.0DNGD/GY	
Fixed installation grey5m	7/8P-M05T/F05T-5.0DNGD/GY	
Fixed installation grey10m	7/8P-M05T/F05T-10.0DNGD/GY	
Mobile installation grey3m	7/8P-M05T/F05T-3.0DNYD/GY	
Mobile installation grey5m	7/8P-M05T/F05T-5.0DNYD/GY	
Mobile installation grey10m	7/8P-M05T/F05T-10.0DNYD/GY	
DragChain grey3m	7/8P-M05T/F05T-3.0DNLT/GY	
DragChain grey5m	7/8P-M05T/F05T-5.0DNLT/GY	
DragChain grey10m	7/8P-M05T/F05T-10.0DNLT/GY	

Common spare parts



Bus Protocol Wiring Harness

Length/Material Could be customized according to different environment ,like extrame temprature and acid/alkali

Rated voltage	48 V AC	60 V DC
Cable specification	2*15AWG+2*18AWG	
ProtectionClass(IEC 60529)	IP67	
Ambient temperature	-25~+85°C	

Single end pre cast harness

Connection cable



Product Picture	Product size	Circuit	Pin Assignment
Form	4core	4core	
Fixed installation green3m	M8P-M04T-3.0ECGD/GN	M8P-M04S-3.0ECGD/GN	Common spare parts
Fixed installation green5m	M8P-M04T-5.0ECGD/GN	M8P-M04S-5.0ECGD/GN	
Fixed installation green10m	M8P-M04T-10.0ECGD/GN	M8P-M04S-10.0ECGD/GN	
Mobile installation green3m	M8P-M04T-3.0ECYD/GN	M8P-M04S-3.0ECYD/GN	
Mobile installation green5m	M8P-M04T-5.0ECYD/GN	M8P-M04S-5.0ECYD/GN	
Mobile installation green10m	M8P-M04T-10.0ECYD/GN	M8P-M04S-10.0ECYD/GN	
DragChain green3m	M8P-M04T-3.0ECTL/GN	M8P-M04S-3.0ECTL/GN	
DragChain green5m	M8P-M04T-5.0ECTL/GN	M8P-M04S-5.0ECTL/GN	
DragChain green10m	M8P-M04T-10.0ECTL/GN	M8P-M04S-10.0ECTL/GN	

Double end pre cast harness

Connection cable



Product Picture	Product Size	Circuit	Pin Assignment
Form	4core	4core	
Fixed installation green3m	M8P-M04T/M04T-3.0ECGD/GN	M8P-M04S/M04S-3.0ECGD/GN	
Fixed installation green5m	M8P-M04T/M04T-5.0ECGD/GN	M8P-M04S/M04S-5.0ECGD/GN	
Fixed installation green10m	M8P-M04T/M04T-10.0ECGD/GN	M8P-M04S/M04S-10.0ECGD/GN	
Mobile installation green3m	M8P-M04T/M04T-3.0ECYD/GN	M8P-M04S/M04S-3.0ECYD/GN	
Mobile installation green5m	M8P-M04T/M04T-5.0ECYD/GN	M8P-M04S/M04S-5.0ECYD/GN	
Mobile installation green10m	M8P-M04T/M04T-10.0ECYD/GN	M8P-M04S/M04S-10.0ECYD/GN	
DragChain green3m	M8P-M04T/M04T-3.0ECTL/GN	M8P-M04S/M04S-3.0ECTL/GN	
DragChain green5m	M8P-M04T/M04T-5.0ECTL/GN	M8P-M04S/M04S-5.0ECTL/GN	
DragChain green10m	M8P-M04T/M04T-10.0ECTL/GN	M8P-M04S/M04S-10.0ECTL/GN	

Double end pre cast harness

Connection cable



Product Picture	Product Size	Circuit	Pin Assignment



Data ,CAD,3D document please refer to: WWW.VELLEDQ.COM



ISO 9001 (2015) quality management system

Bus Protocol Wiring Harness



Form	4core	
Fixed installation	green3m	M8P-M04T/RJ45E4-3.0ECGD/GN
Fixed installation	green5m	M8P-M04T/RJ45E4-5.0ECGD/GN
Fixed installation	green10m	M8P-M04T/RJ45E4-10.0ECGD/GN
Mobile installation	green3m	M8P-M04T/RJ45E4-3.0ECYD/GN
Mobile installation	green5m	M8P-M04T/RJ45E4-5.0ECYD/GN
Mobile installation	green10m	M8P-M04T/RJ45E4-10.0ECYD/GN
DragChain	green3m	M8P-M04T/RJ45E4-3.0ECTL/GN
DragChain	green5m	M8P-M04T/RJ45E4-5.0ECTL/GN
DragChain	green10m	M8P-M04T/RJ45E4-10.0ECTL/GN

Length/Material Could be customized according to different enviroment ,like extrame temprature and acid/alkali

Rated voltage	48 V AC	60 V DC
Cable specification	1*4*26AWG	
ProtectionClass(IEC 60529)	IP67	
Ambient temperature	-25~+85°C	
Signal classification	PROFINET•CAT5(IEC11081)100Mbps	EtherCAT•CAT5(IEC11081)100Mbps

Single end pre cast harness with open ended wires



Product Picture	Product Size	Circuit	Pin Assignment

Form	4core		4core	Common spare parts
Fixed installation	green3m	M12P-DM04T-3.0PNGD/GN	M12P-DM04S-3.0PNGD/GN	
Fixed installation	green5m	M12P-DM04T-5.0PNGD/GN	M12P-DM04S-5.0PNGD/GN	
Fixed installation	green10m	M12P-DM04T-10.0PNGD/GN	M12P-DM04S-10.0PNGD/GN	
Mobile installation	green3m	M12P-DM04T-3.0PNYD/GN	M12P-DM04S-3.0PNYD/GN	
Mobile installation	green5m	M12P-DM04T-5.0PNYD/GN	M12P-DM04S-5.0PNYD/GN	
Mobile installation	green10m	M12P-DM04T-10.0PNYD/GN	M12P-DM04S-10.0PNYD/GN	
DragChain	green3m	M12P-DM04T-3.0PNTL/GN	M12P-DM04S-3.0PNTL/GN	
DragChain	green5m	M12P-DM04T-5.0PNTL/GN	M12P-DM04S-5.0PNTL/GN	
DragChain	green10m	M12P-DM04T-10.0PNTL/GN	M12P-DM04S-10.0PNTL/GN	

Double end pre cast harness Connection cable



Product Picture	Product Size	Circuit	Pin Assignment

Form	4core		4core
Fixed installation	green3m	M12P-2DM04T-3.0PNGD/GN	M12P-2DM04S-3.0PNGD/GN
Fixed installation	green5m	M12P-2DM04T-5.0PNGD/GN	M12P-2DM04S-5.0PNGD/GN
Fixed installation	green10m	M12P-2DM04T-10.0PNGD/GN	M12P-2DM04S-10.0PNGD/GN
Mobile installation	green3m	M12P-2DM04T-3.0PNYD/GN	M12P-2DM04S-3.0PNYD/GN
Mobile installation	green5m	M12P-2DM04T-5.0PNYD/GN	M12P-2DM04S-5.0PNYD/GN
Mobile installation	green10m	M12P-2DM04T-10.0PNYD/GN	M12P-2DM04S-10.0PNYD/GN
DragChain	green3m	M12P-2DM04T-3.0PNTL/GN	M12P-2DM04S-3.0PNTL/GN
DragChain	green5m	M12P-2DM04T-5.0PNTL/GN	M12P-2DM04S-5.0PNTL/GN
DragChain	green10m	M12P-2DM04T-10.0PNTL/GN	M12P-2DM04S-10.0PNTL/GN



Bus Protocol Wiring Harness



Double end pre cast harness

Connection cable



Product Picture	Product Size	Circuit	Pin Assignment
Form	4core		
Fixed installation	green3m	2RJ45C4-3.0PNGD/GN	Common spare parts
Fixed installation	green5m	2RJ45C4-5.0PNGD/GN	
Fixed installation	green10m	2RJ45C4-10.0PNGD/GN	
Mobile installation	green3m	2RJ45C4-3.0PNYD/GN	
Mobile installation	green5m	2RJ45C4-5.0PNYD/GN	
Mobile installation	green10m	2RJ45C4-10.0PNYD/GN	
DragChain	green3m	2RJ45C4-3.0PNTL/GN	
DragChain	green5m	2RJ45C4-5.0PNTL/GN	
DragChain	green10m	2RJ45C4-10.0PNTL/GN	

Double end pre cast harness

Connection cable



Product Picture	Product Size	Circuit	Pin Assignment
Form	4core		
Fixed installation	green3m	2RJ45G4-3.0PNGD/GN	Common spare parts
Fixed installation	green5m	2RJ45G4-5.0PNGD/GN	
Fixed installation	green10m	2RJ45G4-10.0PNGD/GN	
Mobile installation	green3m	2RJ45G4-3.0PNYD/GN	
Mobile installation	green5m	2RJ45G4-5.0PNYD/GN	
Mobile installation	green10m	2RJ45G4-10.0PNYD/GN	
DragChain	green3m	2RJ45G4-3.0PNTL/GN	
DragChain	green5m	2RJ45G4-5.0PNTL/GN	
DragChain	green10m	2RJ45G4-10.0PNTL/GN	

Double end pre cast harness

Connection cable



Product Picture	Product Size	Circuit	Pin Assignment
Form	4core	8core	
Fixed installation	blackishgreen3m	M12P-DM04T/RJ45E4-3.0NIGD/BG	M12P-DM08T/RJ45E8-3.0NIGD/BG
Fixed installation	blackish green5m	M12P-DM04T/RJ45E4-5.0NIGD/BG	M12P-DM08T/RJ45E8-5.0NIGD/BG
Fixed installation	blackishgreen10m	M12P-DM04T/RJ45E4-10.0NIGD/BG	M12P-DM08T/RJ45E8-10.0NIGD/BG
Mobile installation	blackish green3m	M12P-DM04T/RJ45E4-3.0NIYD/BG	M12P-DM08T/RJ45E8-3.0NIYD/BG
Mobile installation	blackish green5m	M12P-DM04T/RJ45E4-5.0NIYD/BG	M12P-DM08T/RJ45E8-5.0NIYD/BG
Mobile installation	blackishgreen10m	M12P-DM04T/RJ45E4-10.0PNIYD/BG	M12P-DM08T/RJ45E8-10.0NIYD/BG
DragChain	blackish green3m	M12P-DM04T/RJ45E4-3.0NITL/BG	M12P-DM08T/RJ45E8-3.0NITL/BG
DragChain	blackish green5m	M12P-DM04T/RJ45E4-5.0NITL/BG	M12P-DM08T/RJ45E8-5.0NITL/BG
DragChain	blackish green10m	M12P-DM04T/RJ45E4-10.0NITL/BG	M12P-DM08T/RJ45E8-10.0NITL/BG



Data ,CAD,3D document please refer to: WWW.VELLEDQ.COM



ISO 9001 (2015) quality management system

Bus Protocol Wiring Harness



Double end pre cast harness

Connection cable



Product Picture	Product Size	Circuit	Pin Assignment

Form	4core		4core	
Fixed installation	blackish green3m	M12P-DM04T/RJ45C4-3.0NIGD/BG	M12P-DM04S/RJ45C4-3.0NIGD/BG	
Fixed installation	blackish green5m	M12P-DM04T/RJ45C4-5.0NIGD/BG	M12P-DM04S/RJ45C4-5.0NIGD/BG	
Fixed installation	blackish green10m	M12P-DM04T/RJ45C4-10.0NIGD/BG	M12P-DM04S/RJ45C4-10.0NIGD/BG	
Mobile installation	blackish green3m	M12P-DM04T/RJ45C4-3.0NIGD/BG	M12P-DM04S/RJ45C4-3.0NIGD/BG	
Mobile installation	blackish green5m	M12P-DM04T/RJ45C4-5.0NIGD/BG	M12P-DM04S/RJ45C4-5.0NIGD/BG	
Mobile installation	blackish green10m	M12P-DM04T/RJ45C4-10.0NIGD/BG	M12P-DM04S/RJ45C4-10.0NIGD/BG	
DragChain	blackish green3m	M12P-DM04T/RJ45C4-3.0NIGD/BG	M12P-DM04S/RJ45C4-3.0NIGD/BG	
DragChain	blackish green5m	M12P-DM04T/RJ45C4-5.0NIGD/BG	M12P-DM04S/RJ45C4-5.0NIGD/BG	
DragChain	blackish green10m	M12P-DM04T/RJ45C4-10.0NIGD/BG	M12P-DM04S/RJ45C4-10.0NIGD/BG	

Length/Material Could be customized according to different enviroment ,like extrame temptreure and acid/alkali

Rated voltage	48 V AC	60 V DC
Cable specification	1*4*22AWG	
ProtectionClass(IEC 60529)	IP67	
Ambient temperature	-25~ +85°C	
Signal classification	PROFINET•CAT5(IEC11081)100Mbps	EtherCAT•CAT5(IEC11081)100Mbps

Double end pre cast harness

Connection cable



Product Picture	Product Size	Circuit	Pin Assignment

Form	8core		8core	
Fixed installation	blackish green3m	M12P-M08T/RJ45D8-3.0NIGD/BG	M12P-M08S/RJ45D8-3.0NIGD/BG	
Fixed installation	blackish green5m	M12P-M08T/RJ45D8-5.0NIGD/BG	M12P-M08S/RJ45D8-5.0NIGD/BG	
Fixed installation	blackish green10m	M12P-M08T/RJ45D8-10.0NIGD/BG	M12P-M08S/RJ45D8-10.0NIGD/BG	
Mobile installation	blackish green3m	M12P-M08T/RJ45D8-3.0NIYD/BG	M12P-M08S/RJ45D8-3.0NIYD/BG	
Mobile installation	blackish green5m	M12P-M08T/RJ45D8-5.0NIYD/BG	M12P-M08S/RJ45D8-5.0NIYD/BG	
Mobile installation	blackish green10m	M12P-M08T/RJ45D8-10.0NIYD/BG	M12P-M08S/RJ45D8-10.0NIYD/BG	
DragChain	blackish green3m	M12P-M08T/RJ45D8-3.0NITL/BG	M12P-M08S/RJ45D8-3.0NITL/BG	
DragChain	blackish green5m	M12P-M08T/RJ45D8-5.0NITL/BG	M12P-M08S/RJ45D8-5.0NITL/BG	
DragChain	blackish green10m	M12P-M08T/RJ45D8-10.0NITL/BG	M12P-M08S/RJ45D8-10.0NITL/BG	

Length/Material Could be customized according to different enviroment ,like extrame temptreure and acid/alkali

Rated voltage	48 V AC	60 V DC
Cable specification	1*4*22AWG	
ProtectionClass(IEC 60529)	IP67	
Ambient temperature	-25~ +85°C	
Signal classification	PROFINET•CAT5(IEC11081)100Mbps	EtherCAT•CAT5(IEC11081)100Mbps



Bus Protocol Wiring Harness



Double end pre cast harness
Connection cable



Product Picture	Product Size	Circuit	Pin Assignment
Form	4core	4core	
Fixed installation	blackish green3m	M12P-DM04T/RJ45D4-3.0NIGD/BG	M12P-DM04S/RJ45D4-3.0NIGD/BG
Fixed installation	blackish green5m	M12P-DM04T/RJ45D4-5.0NIGD/BG	M12P-DM04S/RJ45D4-5.0NIGD/BG
Fixed installation	blackish green10m	M12P-DM04T/RJ45D4-10.0NIGD/BG	M12P-DM04S/RJ45D4-10.0NIGD/BG
Mobile installation	blackish green3m	M12P-DM04T/RJ45D4-3.0NIYD/BG	M12P-DM04S/RJ45D4-3.0NIYD/BG
Mobile installation	blackish green5m	M12P-DM04T/RJ45D4-5.0NIYD/BG	M12P-DM04S/RJ45D4-5.0NIYD/BG
Mobile installation	blackish green10m	M12P-DM04T/RJ45D4-10.0NIYD/BG	M12P-DM04S/RJ45D4-10.0NIYD/BG
DragChain	blackish green3m	M12P-DM04T/RJ45D4-3.0NITL/BG	M12P-DM04S/RJ45D4-3.0NITL/BG
DragChain	blackish green5m	M12P-DM04T/RJ45D4-5.0NITL/BG	M12P-DM04S/RJ45D4-5.0NITL/BG
DragChain	blackish green10m	M12P-DM04T/RJ45D4-10.0NITL/BG	M12P-DM04S/RJ45D4-10.0NITL/BG

Double end pre cast harness
Connection cable



Product Picture	Product Size	Circuit	Pin Assignment
Form	8core	8core	
Fixed installation	blackish green3m	M12P-M08T/RJ45C8-3.0NIGD/BG	M12P-M08S/RJ45C8-3.0NIGD/BG
Fixed installation	blackish green5m	M12P-M08T/RJ45C8-5.0NIGD/BG	M12P-M08S/RJ45C8-5.0NIGD/BG
Fixed installation	blackish green10m	M12P-M08T/RJ45C8-10.0NIGD/BG	M12P-M08S/RJ45C8-10.0NIGD/BG
Mobile installation	blackish green3m	M12P-M08T/RJ45C8-3.0NIYD/BG	M12P-M08S/RJ45C8-3.0NIYD/BG
Mobile installation	blackish green5m	M12P-M08T/RJ45C8-5.0NIYD/BG	M12P-M08S/RJ45C8-5.0NIYD/BG
Mobile installation	blackish green10m	M12P-M08T/RJ45C8-10.0NIYD/BG	M12P-M08S/RJ45C8-10.0NIYD/BG
DragChain	blackish green3m	M12P-M08T/RJ45C8-3.0NITL/BG	M12P-M08S/RJ45C8-3.0NITL/BG
DragChain	blackish green5m	M12P-M08T/RJ45C8-5.0NITL/BG	M12P-M08S/RJ45C8-5.0NITL/BG
DragChain	blackish green10m	M12P-M08T/RJ45C8-10.0NITL/BG	M12P-M08S/RJ45C8-10.0NITL/BG

Double end pre cast harness
Connection cable



Product Picture	Product Size	Circuit	Pin Assignment
Form	4core	4core	
Fixed installation	blackish green3m	M12P-DM04T/RJ45D4-3.0NIGD/BG	M12P-DM04S/RJ45D4-3.0NIGD/BG
Fixed installation	blackish green5m	M12P-DM04T/RJ45D4-5.0NIGD/BG	M12P-DM04S/RJ45D4-5.0NIGD/BG
Fixed installation	blackish green10m	M12P-DM04T/RJ45D4-10.0NIGD/BG	M12P-DM04S/RJ45D4-10.0NIGD/BG
Mobile installation	blackish green3m	M12P-DM04T/RJ45D4-3.0NIYD/BG	M12P-DM04S/RJ45D4-3.0NIYD/BG
Mobile installation	blackish green5m	M12P-DM04T/RJ45D4-5.0NIYD/BG	M12P-DM04S/RJ45D4-5.0NIYD/BG
Mobile installation	blackish green10m	M12P-DM04T/RJ45D4-10.0NIYD/BG	M12P-DM04S/RJ45D4-10.0NIYD/BG
DragChain	blackish green3m	M12P-DM04T/RJ45D4-3.0NITL/BG	M12P-DM04S/RJ45D4-3.0NITL/BG
DragChain	blackish green5m	M12P-DM04T/RJ45D4-5.0NITL/BG	M12P-DM04S/RJ45D4-5.0NITL/BG
DragChain	blackish green10m	M12P-DM04T/RJ45D4-10.0NITL/BG	M12P-DM04S/RJ45D4-10.0NITL/BG



Data ,CAD,3D document please refer to: WWW.VELLEDQ.COM



ISO 9001 (2015) quality management system

Bus Protocol Wiring Harness



Double end pre cast harness
Connection cable



Product Picture		Product Size	Circuit		Pin Assignment
Form		4core	8core		Common spare parts
Fixed installation	blackish green3m	2RJ45D4-3.0NIGD/BG	2RJ45D8-3.0NIGD/BG		
Fixed installation	blackish green5m	2RJ45D4-5.0NIGD/BG	2RJ45D8-5.0NIGD/BG		
Fixed installation	blackish green10m	2RJ45D4-10.0NIGD/BG	2RJ45D8-10.0NIGD/BG		
Mobile installation	blackish green3m	2RJ45D4-3.0NIYD/BG	2RJ45D8-3.0NIYD/BG		
Mobile installation	blackish green5m	2RJ45D4-5.0NIYD/BG	2RJ45D8-5.0NIYD/BG		
Mobile installation	blackish green10m	2RJ45D4-10.0NIYD/BG	2RJ45D8-10.0NIYD/BG		
DragChain	blackish green3m	2RJ45D4-3.0NITL/BG	2RJ45D8-3.0NITL/BG		
DragChain	blackish green5m	2RJ45D4-5.0NITL/BG	2RJ45D8-5.0NITL/BG		
DragChain	blackish green10m	2RJ45D4-10.0NITL/BG	2RJ45D8-10.0NITL/BG		

Double end pre cast harness
Connection cable



Product Picture		Product Size	Circuit		Pin Assignment
Form		4core	8core		Common spare parts
Fixed installation	blackish green3m	2RJ45E4-3.0NIGD/BG	2RJ45E8-3.0NIGD/BG		
Fixed installation	blackish green5m	2RJ45E4-5.0NIGD/BG	2RJ45E8-5.0NIGD/BG		
Fixed installation	blackish green10m	2RJ45E4-10.0NIGD/BG	2RJ45E8-10.0NIGD/BG		
Mobile installation	blackish green3m	2RJ45E4-3.0NIYD/BG	2RJ45E8-3.0NIYD/BG		
Mobile installation	blackish green5m	2RJ45E4-5.0NIYD/BG	2RJ45E8-5.0NIYD/BG		
Mobile installation	blackish green10m	2RJ45E4-10.0NIYD/BG	2RJ45E8-10.0NIYD/BG		
DragChain	blackish green3m	2RJ45E4-3.0NITL/BG	2RJ45E8-3.0NITL/BG		
DragChain	blackish green5m	2RJ45E4-5.0NITL/BG	2RJ45E8-5.0NITL/BG		
DragChain	blackish green10m	2RJ45E4-10.0NITL/BG	2RJ45E8-10.0NITL/BG		

Double end pre cast harness
Connection cable



Product Picture		Product Size	Circuit	Pin Assignment
Form		8core		
Fixed installation	blackish green3m	RJ45F8/RJ45E8-3.0NIGD/BG		
Fixed installation	blackish green5m	RJ45F8/RJ45E8-5.0NIGD/BG		
Fixed installation	blackish green10m	RJ45F8/RJ45E8-10.0NIGD/BG		
Mobile installation	blackish green3m	RJ45F8/RJ45E8-3.0NIYD/BG		
Mobile installation	blackish green5m	RJ45F8/RJ45E8-5.0NIYD/BG		
Mobile installation	blackish green10m	RJ45F8/RJ45E8-10.0NIYD/BG		
DragChain	blackish green3m	RJ45F8/RJ45E8-3.0NITL/BG		
DragChain	blackish green5m	RJ45F8/RJ45E8-5.0NITL/BG		
DragChain	blackish green10m	RJ45F8/RJ45E8-10.0NITL/BG		



Bus Protocol Wiring Harness



Double end pre cast harness Connection cable



Product Picture	Product size	Circuit	Pin Assignment
Form		4core	8core
Fixed installation	blackish green3m	2RJ45S4Z-3.0NIGD/BG	2RJ45S8Z-3.0NIGD/BG
Fixed installation	blackish green5m	2RJ45S4Z-5.0NIGD/BG	2RJ45S8Z-5.0NIGD/BG
Fixed installation	blackish green10m	2RJ45S4Z-10.0NIGD/BG	2RJ45S8Z-10.0NIGD/BG
Mobile installation	blackish green3m	2RJ45S4Z-3.0NIYD/BG	2RJ45S8Z-3.0NIYD/BG
Mobile installation	blackish green5m	2RJ45S4Z-5.0NIYD/BG	2RJ45S8Z-5.0NIYD/BG
Mobile installation	blackish green10m	2RJ45S4Z-10.0NIYD/BG	2RJ45S8Z-10.0NIYD/BG
DragChain	blackish green3m	2RJ45S4Z-3.0NITL/BG	2RJ45S8Z-3.0NITL/BG
DragChain	blackish green5m	2RJ45S4Z-5.0NITL/BG	2RJ45S8Z-5.0NITL/BG
DragChain	blackish green10m	2RJ45S4Z-10.0NITL/BG	2RJ45S8Z-10.0NITL/BG

Double end pre cast harness Connection cable



Product Picture	Product Size	Circuit	Pin Assignment
Form		4core	8core
Fixed installation	blackish green3m	2RJ45S4Y-3.0NIGD/BG	2RJ45S8Y-3.0NIGD/BG
Fixed installation	blackish green5m	2RJ45S4Y-5.0NIGD/BG	2RJ45S8Y-5.0NIGD/BG
Fixed installation	blackish green10m	2RJ45S4Y-10.0NIGD/BG	2RJ45S8Y-10.0NIGD/BG
Mobile installation	blackish green3m	2RJ45S4Y-3.0NIYD/BG	2RJ45S8Y-3.0NIYD/BG
Mobile installation	blackish green5m	2RJ45S4Y-5.0NIYD/BG	2RJ45S8Y-5.0NIYD/BG
Mobile installation	blackish green10m	2RJ45S4Y-10.0NIYD/BG	2RJ45S8Y-10.0NIYD/BG
DragChain	blackish green3m	2RJ45S4Y-3.0NITL/BG	2RJ45S8Y-3.0NITL/BG
DragChain	blackish green5m	2RJ45S4Y-5.0NITL/BG	2RJ45S8Y-5.0NITL/BG
DragChain	blackish green10m	2RJ45S4Y-10.0NITL/BG	2RJ45S8Y-10.0NITL/BG

Double end pre cast harness Connection cable



Product Picture	Product Size	Circuit	Pin Assignment
Form		8core	8core
Fixed installation	blackish green3m	M12P-XM08T/RJ45D8-3.0NIGD/BG	M12P-XM08S/RJ45D8-3.0NIGD/BG
Fixed installation	blackish green5m	M12P-XM08T/RJ45D8-5.0NIGD/BG	M12P-XM08S/RJ45D8-5.0NIGD/BG
Fixed installation	blackish green10m	M12P-XM08T/RJ45D8-10.0NIGD/BG	M12P-XM08S/RJ45D8-10.0NIGD/BG
Mobile installation	blackish green3m	M12P-XM08T/RJ45D8-3.0NIYD/BG	M12P-XM08S/RJ45D8-3.0NIYD/BG
Mobile installation	blackish green5m	M12P-XM08T/RJ45D8-5.0NIYD/BG	M12P-XM08S/RJ45D8-5.0NIYD/BG
Mobile installation	blackish green10m	M12P-XM08T/RJ45D8-10.0NIYD/BG	M12P-XM08S/RJ45D8-10.0NIYD/BG
DragChain	blackish green3m	M12P-XM08T/RJ45D8-3.0NITL/BG	M12P-XM08S/RJ45D8-3.0NITL/BG
DragChain	blackish green5m	M12P-XM08T/RJ45D8-5.0NITL/BG	M12P-XM08S/RJ45D8-5.0NITL/BG
DragChain	blackish green10m	M12P-XM08T/RJ45D8-10.0NITL/BG	M12P-XM08S/RJ45D8-10.0NITL/BG



Data ,CAD,3D document please refer to: WWW.VELLEDQ.COM



ISO 9001 (2015) quality management system

Bus Protocol Wiring Harness



Double end pre cast harness
Connection cable

CAT.6A

Product Picture	Product Size	Circuit	Pin Assignment
Form	4core	8core	
Fixed installation	blackish green3m	FLH-M12P-DM04(M16)/RJ45E4-3.0NIGD/BG	FLH-M12P-M08/RJ45E8-3.0NIGD/BG
Fixed installation	blackish green5m	FLH-M12P-DM04(M16)/RJ45E4-5.0NIGD/BG	FLH-M12P-M08/RJ45E8-5.0NIGD/BG
Fixed installation	blackish green10m	FLH-M12P-DM04(M16)/RJ45E4-10.0NIGD/BG	FLH-M12P-M08/RJ45E8-10.0NIGD/BG
Mobile installation	blackish green3m	FLH-M12P-DM04(M16)/RJ45E4-3.0NIYD/BG	FLH-M12P-M08/RJ45E8-3.0NIYD/BG
Mobile installation	blackish green5m	FLH-M12P-DM04(M16)/RJ45E4-5.0NIYD/BG	FLH-M12P-M08/RJ45E8-5.0NIYD/BG
Mobile installation	blackish green10m	FLH-M12P-DM04(M16)/RJ45E4-10.0NIYD/BG	FLH-M12P-M08/RJ45E8-10.0NIYD/BG
DragChain	blackish green3m	FLH-M12P-DM04(M16)/RJ45E4-3.0NITL/BG	FLH-M12P-M08/RJ45E8-3.0NITL/BG
DragChain	blackish green5m	FLH-M12P-DM04(M16)/RJ45E4-5.0NITL/BG	FLH-M12P-M08/RJ45E8-5.0NITL/BG
DragChain	blackish green10m	FLH-M12P-DM04(M16)/RJ45E4-10.0NITL/BG	FLH-M12P-M08/RJ45E8-10.0NITL/BG
Length/Material Could be customized according to different enviroment ,like extrame temprature and acid/alkali			
Rated voltage	MAX.60 V AC/DC		
Cable specification	2*2*26AWG	4*2*26AWG	
ProtectionClass(IEC 60529)	IP67		
Ambient temperature	-25~+85°C		

Double end pre cast harness
Connection cable



Product Picture	Product Size	Circuit	Pin Assignment
Form	2core	2core	
Fixed installation	yellow3m	M12-M02T/F02T-3.0ASGD/YE	M12-M02S/F02S-3.0ASGD/YE
Fixed installation	yellow5m	M12-M02T/F02T-5.0ASGD/YE	M12-M02S/F02S-5.0ASGD/YE
Fixed installation	yellow10m	M12-M02T/F02T-10.0ASGD/YE	M12-M02S/F02S-10.0ASGD/YE
Mobile installation	yellow3m	M12-M02T/F02T-3.0ASYD/YE	M12-M02S/F02S-3.0ASYD/YE
Mobile installation	yellow5m	M12-M02T/F02T-5.0ASYD/YE	M12-M02S/F02S-5.0ASYD/YE
Mobile installation	yellow10m	M12-M02T/F02T-10.0ASYD/YE	M12-M02S/F02S-10.0ASYD/YE
DragChain	yellow3m	M12-M02T/F02T-3.0ASTL/YE	M12-M02S/F02S-3.0ASTL/YE
DragChain	yellow5m	M12-M02T/F02T-5.0ASTL/YE	M12-M02S/F02S-5.0ASTL/YE
DragChain	yellow10m	M12-M02T/F02T-10.0ASTL/YE	M12-M02S/F02S-10.0ASTL/YE

Double end pre cast harness
Connection cable



Product Picture	Product Size	Circuit	Pin Assignment
Form	2core	2core	
Fixed installation	yellow3m	M12-M02T/F02T-3.0ASGD/YE	M12-M02S/F02S-3.0ASGD/YE
Fixed installation	yellow5m	M12-M02T/F02T-5.0ASGD/YE	M12-M02S/F02S-5.0ASGD/YE
Fixed installation	yellow10m	M12-M02T/F02T-10.0ASGD/YE	M12-M02S/F02S-10.0ASGD/YE
Mobile installation	yellow3m	M12-M02T/F02T-3.0ASYD/YE	M12-M02S/F02S-3.0ASYD/YE
Mobile installation	yellow5m	M12-M02T/F02T-5.0ASYD/YE	M12-M02S/F02S-5.0ASYD/YE
Mobile installation	yellow10m	M12-M02T/F02T-10.0ASYD/YE	M12-M02S/F02S-10.0ASYD/YE
DragChain	yellow3m	M12-M02T/F02T-3.0ASTL/YE	M12-M02S/F02S-3.0ASTL/YE
DragChain	yellow5m	M12-M02T/F02T-5.0ASTL/YE	M12-M02S/F02S-5.0ASTL/YE
DragChain	yellow10m	M12-M02T/F02T-10.0ASTL/YE	M12-M02S/F02S-10.0ASTL/YE



Bus Protocol Wiring Harness



Form		4core	4core
Fixed installation	yellow3m	M12-M04T/F04T-3.0ASGD/YE	M12-M04S/F04S-3.0ASGD/YE
Fixed installation	yellow5m	M12-M04T/F04T-5.0ASGD/YE	M12-M04S/F04S-5.0ASGD/YE
Fixed installation	yellow10m	M12-M04T/F04T-10.0ASGD/YE	M12-M04S/F04S-10.0ASGD/YE
Mobile installation	yellow3m	M12-M04T/F04T-3.0ASYD/YE	M12-M04S/F04S-3.0ASYD/YE
Mobile installation	yellow5m	M12-M04T/F04T-5.0ASYD/YE	M12-M04S/F04S-5.0ASYD/YE
Mobile installation	yellow10m	M12-M04T/F04T-10.0ASYD/YE	M12-M04S/F04S-10.0ASYD/YE
DragChain	yellow3m	M12-M04T/F04T-3.0ASTL/YE	M12-M04S/F04S-3.0ASTL/YE
DragChain	yellow5m	M12-M04T/F04T-5.0ASTL/YE	M12-M04S/F04S-5.0ASTL/YE
DragChain	yellow10m	M12-M04T/F04T-10.0ASTL/YE	M12-M04S/F04S-10.0ASTL/YE

Double end pre cast harness

Connection cable



Product Picture	Product Size	Circuit	Pin Assignment

Form		3core	3core
Fixed installation	yellow3m	M8-M03T/F03T-3.0ASGD/YE	M8-M03S/F03S-3.0ASGD/YE
Fixed installation	yellow5m	M8-M04T/F04T-5.0ASGD/YE	M8-M04S/F04S-5.0ASGD/YE
Fixed installation	yellow10m	M8-M04T/F04T-10.0ASGD/YE	M8-M04S/F04S-10.0ASGD/YE
Mobile installation	yellow3m	M8-M04T/F04T-3.0ASYD/YE	M8-M04S/F04S-3.0ASYD/YE
Mobile installation	yellow5m	M8-M04T/F04T-5.0ASYD/YE	M8-M04S/F04S-5.0ASYD/YE
Mobile installation	yellow10m	M8-M04T/F04T-10.0ASYD/YE	M8-M04S/F04S-10.0ASYD/YE
DragChain	yellow3m	M8-M04T/F04T-3.0ASTL/YE	M8-M04S/F04S-3.0ASTL/YE
DragChain	yellow5m	M8-M04T/F04T-5.0ASTL/YE	M8-M04S/F04S-5.0ASTL/YE
DragChain	yellow10m	M8-M04T/F04T-10.0ASTL/YE	M8-M04S/F04S-10.0ASTL/YE

Length/Material Could be customized according to different environment ,like extrame temprature and acid/alkali

Rated voltage	48 V AC	60 V DC
Cable specification	2*0.75mm	
ProtectionClass(IEC 60529)	IP67	
Ambient temperature	-25~+85°C	

Double End Pre Cast Harness

Connection cable



Product Picture	Product Size	Circuit	Pin Assignment

Form		4core	4core
Fixed installation	brown3m	M12P-M04T/F04T-3.0CLGD/BN	M12P-M04S/F04S-3.0CLGD/BN
Fixed installation	brown5m	M12P-M04T/F04T-5.0CLGD/BN	M12P-M04S/F04S-5.0CLGD/BN
Fixed installation	brown10m	M12P-M04T/F04T-10.0CLGD/BN	M12P-M04S/F04S-10.0CLGD/BN
Mobile installation	brown3m	M12P-M04T/F04T-3.0CLYD/BN	M12P-M04S/F04S-3.0CLYD/BN
Mobile installation	brown5m	M12P-M04T/F04T-5.0CLYD/BN	M12P-M04S/F04S-5.0CLYD/BN
Mobile installation	brown10m	M12P-M04T/F04T-10.0CLYD/BN	M12P-M04S/F04S-10.0CLYD/BN
DragChain	brown3m	M12P-M04T/F04T-3.0CLTL/BN	M12P-M04S/F04S-3.0CLTL/BN
DragChain	brown5m	M12P-M04T/F04T-5.0CLTL/BN	M12P-M04S/F04S-5.0CLTL/BN
DragChain	brown10m	M12P-M04T/F04T-10.0CLTL/BN	M12P-M04S/F04S-10.0CLTL/BN

Length/Material Could be customized according to different environment ,like extrame temprature and acid/alkali

Rated voltage	48 V AC	60 V DC
Cable specification	3*0.75mm	
ProtectionClass(IEC 60529)	IP67	
Ambient temperature	-25~+85°C	



Data ,CAD,3D document please refer to: WWW.VELLEDQ.COM

Communicate Now



ISO 9001 (2015) quality management system

Bus Protocol Wiring Harness



Double end pre cast harness

Connection cable

Product Picture		Product size		Circuit		Pin Assignment	
Form		4core		4core			
Fixed installation	blackish green3m	FLH-M12P-DF04T(M16)/DM04T-3.0PNGD/BG		FLH-M12P-2DF04T(M16)-3.0PNGD/BG			
Fixed installation	blackish green5m	FLH-M12P-DF04T(M16)/DM04T-5.0PNGD/BG		FLH-M12P-2DF04T(M16)-5.0PNGD/BG			
Fixed installation	blackish green10m	FLH-M12P-DF04T(M16)/DM04T-10.0PNGD/BG		FLH-M12P-2DF04T(M16)-10.0PNGD/BG			
Mobile installation	blackish green3m	FLH-M12P-DF04T(M16)/DM04T-3.0PNYD/BG		FLH-M12P-2DF04T(M16)-3.0PNYD/BG			
Mobile installation	blackish green5m	FLH-M12P-DF04T(M16)/DM04T-5.0PNYD/BG		FLH-M12P-2DF04T(M16)-5.0PNYD/BG			
Mobile installation	blackish green10m	FLH-M12P-DF04T(M16)/DM04T-10.0PNYD/BG		FLH-M12P-2DF04T(M16)-10.0PNYD/BG			
DragChain	blackish green3m	FLH-M12P-DF04T(M16)/DM04T-3.0PNTL/BG		FLH-M12P-2DF04T(M16)-3.0PNTL/BG			
DragChain	blackish green5m	FLH-M12P-DF04T(M16)/DM04T-5.0PNTL/BG		FLH-M12P-2DF04T(M16)-5.0PNTL/BG			
DragChain	blackish green10m	FLH-M12P-DF04T(M16)/DM04T-10.0PNTL/BG		FLH-M12P-2DF04T(M16)-10.0PNTL/BG			



Bus Protocol Wiring Harness



Field-wriable
piercing connection

Product Picture	Product Size	Circuit	Pin Assignment

Form RJ45-T-M20

Common spare parts

Field-wriable

Product Picture	Product Size	Circuit	Pin Assignment

RJ45-K-MCV

Common spare parts

Field-wriable

Form	Product Picture	Product size	Pin Assignment

Form RJ45-C4

Common spare parts

Field-wriable

Product Picture	Product size	Pin Assignment

Form RJ45-C8

Common spare parts

Length/Material Could be customized according to different enviroment ,like extrame temperture and acid/alkali

Rated voltage	60V AC/DC
Line pressing range	26AWG
ProtectionClass(IEC 60529)	20
Ambient temperature	-25~+85°C
Housing material	PVC
Cable outlet diameter	M20

Field-wriable

Product Picture	Product size	Circuit	Pin Assignment

Form M12-DF04/RJ45F



Communicate Now

Data ,CAD,3D document please refer to: WWW.VELLEDQ.COM



ISO 9001 (2015) quality management system

Bus Protocol Wiring Harness

Connecting accessories	Product Description	Applicable Agreement	Form
	Busconnector plug120° D-SUB 9coreMale head,Screw terminal		PB-DB9-120
	Busconnector plug90° D-SUB 9coreMale head,Screw terminal		PB-DB9-90
	Contact resistances $\leq 3m\Omega$ Terminal resistance A-CODE		M12-M05T-DN-POLE
	Contact resistances $\leq 3m\Omega$ Terminal resistance B-CODE		M12-BM05T-PB-POLE
	110 Ω resistance Terminal resistance A-CODE		M12-M05T-CL-POLE
	Contact resistances $\leq 3m\Omega$ Terminal resistance B-CODE		M12-BF05T-PB-POLE
	120 Ω resistance Terminal resistance 7/8Connector		7/8-M05T-DN-POLE
	Panel installation	CAT.5e	K-R8



Data ,CAD,3D document please refer to: WWW.VELLEDQ.COM



ISO 9001 (2015) quality management system



Industrial Switch

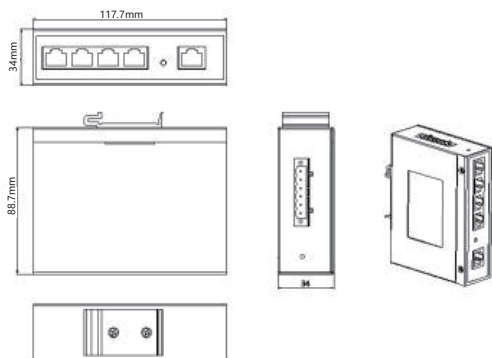


Industrial Switch

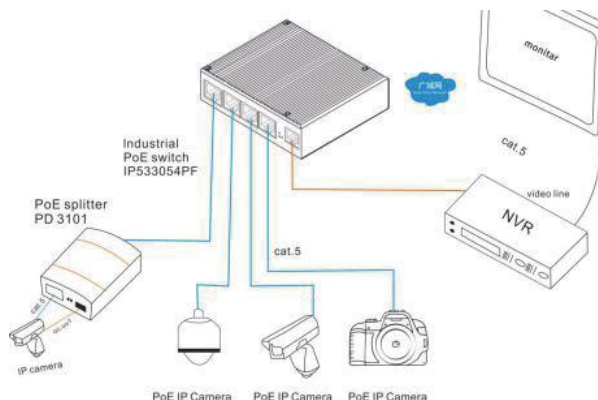


ISO 9001 (2015) quality management system

Product dimensions



Product application



Form: JHDC-305

Product characteristics	Adopting high-quality optoelectronic integrated modules to provide good optical and electrical characteristics, ensuring reliable data transmission and long working life supports full duplex or half duplex mode with automatic negotiation capability, and the network interface supports fully automatic cross recognition built in storage and forwarding mechanism, supporting multiple protocols, meeting industrial level operational standards, with an average faultless working time of over 300000 hours working power supply: DC 12-52V provides reverse connection protection, lightning surge impact protection (power supply): 5000A (8/20 μs).					
Description	One 100 Mbps uplink port and four 100 Mbps downlink ports are industrial grade ethernet switches, supporting one 10/100Base-TX uplink port and four 10Base-T/100 base-TX downlink ports.the product meets FCC, CE, and ROHS standards. the JHDC-305 switch has a working temperature of -40 °C to 70 °C, which has strong robustness and can adapt to various harsh environments. it can also be very conveniently placed in a compact control box. the installation characteristics of the guide rail,wide temperature operation, and an IP40 protection level housing and LED indicator light make the JHDC-305 a plug and play industrial grade devices provide reliable and convenient solutions for users' ethernet device networking.					
Product parameters						
Product name	100M 5-port industrial ethernet switch					
Model	JHDC-305					
Description	1 channel of 100 Mbps uplink electrical port+4 channels of 100 Mbps downlink electrical port Industrial grade ethernet switch					
Description	5 RJ45 ports					
Warranty	3 years					
Protection grade	IP40					
RJ45 port	10/100BaseT (X) automatic detection, full/half duplex MDI/MDI-X adaptive					
Network protocol	10base-T, follow IEEE 802.3		100base-TX gentle 100Base-FX, follow IEEE 802.3u			
RJ45 port	Operation temperature:-40~70 °C		Storage temperature:-40~75 °C		Relative humidity: 5%~95% (without condensation)	
Exchange properties	transmission method: storage and forwarding	MAC address: 2K	Cache: 1Mbit	Backplane bandwidth: 1.6G	Power consumption: <3W	Exchange latency:<10 μ s
Power supply	Input voltage: DC12-52V (dual power redundancy backup)		Supports dual power redundancy		Supports built-in overcurrent 4.0A protection and reverse connection protection	
LED indicators	Power indicator light: PWR		Power indicator light: PWR			
Mechanical properties	Shell: ip40 protection level, metal shell		Shell: IP40 protection level, metal shell		Heat dissipation mode: free cooling, no fan	
Weight:	0.36Kg					
Industry standards	EMI : FCC part 15 subpart B Class A , EN 55022 class A EMS : IEC(EN)61000-4-2(ESD) : ±6kV contact discharge, ±8kV air discharge IEC(EN)61000-4-3(RS) : 10V/m(80~1000MHz) IEC(EN)61000-4-4(EFT) : network interface: ±2kV CM//±1kV DM ; IEC(EN)61000-4-5(surge) : network interface: ±2kV CM//±1kV DM ; IEC(EN)61000-4-6(radio frequency conduction) : 3V(10kHz~150kHz),10V(150kHz~80MHz) IEC(EN)61000-4-16(common mode conduction) : 30V cont. 300V,1s IEC(EN)61000-4-8 Shock : IEC 60068-2-27 Freefall : IEC 60068-2-32 vibration : IEC 60068-2-6					



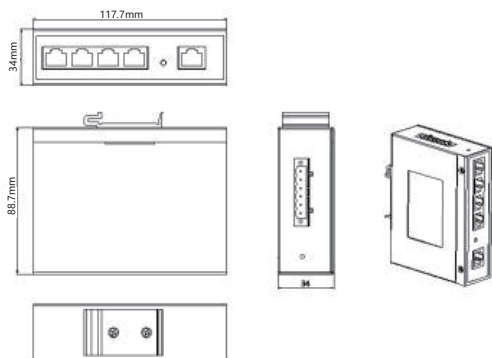
Data ,CAD,3D document please refer to: WWW.VELLEDQ.COM

Industrial Switch

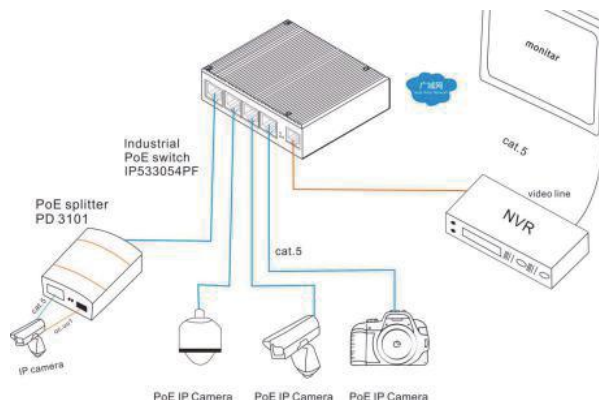


ISO 9001 (2015) quality management system

Product dimensions



Product application



Form: JHDC-G305

Product characteristics	Adopting high-quality optoelectronic integrated modules to provide good optical and electrical characteristics, ensuring reliable data transmission and long working life supports full duplex or half duplex mode with automatic negotiation capability, and the network interface supports fully automatic cross recognition built in storage and forwarding mechanism, supporting multiple protocols, meeting industrial level operational standards, with an average faultless working time of over 300000 hours working power supply: DC 12-52V provides reverse connection protection, lightning surge impact protection (power supply): 5000A (8/20 μs).					
Description	1 gigabit uplink port+4 gigabit downlink ports Industrial grade ethernet switch, supporting 1 10/100/1000Base-TX uplink port and 4 10/100/1000Base-TX downlink ports electric port. the product meets FCC, CE, and ROHS standards. the JHDC-G305 switch has a working temperature of -40 °C to 70 °C, and has strong robustness to adapt to various harsh environments,It can also be conveniently placed in a compact control box. Installation characteristics of the guide rail, wide temperature operation, IP40 protection level housing and LED indicator light, JHDC-G305 become a plug and play industrial grade device, providing reliable and convenient solutions for users' ethernet device networking.					
Product parameters						
Product name	1000M 5-port industrial ethernet switch					
Model	JHDC-G305					
Description	1 gigabit uplink port+4 gigabit downlink ports Industrial grade ethernet switch					
Description	5 RJ45 ports					
Warranty	3 years					
Protection grade	IP40					
RJ45 port	10/100/1000BaseT (X) automatic detection, full/half duplex MDI/MDI-X adaptive					
Network protocol	10Base-T, following IEEE 802.3		100Base-TX,100Base-FX, following IEEE 802.3u			
RJ45 port	Operation temperature:-40~70 °C		Storage temperature:-40~75 °C		Relative humidity: 5%-95% (without condensation)	
Exchange properties	Transmission method: storage and forwarding	MAC address: 2K	Cache: 1.2Mbit	Backplane bandwidth: 14G	Power consumption: <3W	Exchange latency:<10 μs
Power supply	Input voltage: DC12-52V (dual power redundancy backup)		Supports dual power redundancy	Supports built-in overcurrent 4.0A protection	Supports reverse protection	
LED indicators	Power indicator light: PWR interface indicator light: electric port (Link)					
Mechanical properties	Shell: IP40 protection level, metal shell		Installation: DIN rail mounted, wall mounted		Heat dissipation mode: Free cooling, no fan	Weight: 0.36Kg
Industry standards	EMI : FCC part 15 subpart B class A, EN 55022 Class A EMS :IEC(EN)61000-4-2(ESD) :±6kv contact discharge,±8kv air discharge IEC(EN)61000-4-3(RS) : 10V/m(80~1000MHz) IEC(EN)61000-4-4(EFT) : network interface : ±2kv CM//±1kv DM ; IEC(EN)61000-4-5(surge) : network interface : ±2kv CM//±1kv DM ; IEC(EN)61000-4-6(radio frequency conduction) : 3v(10kHz~150kHz),10V(150kHz~80MHz) IEC(EN)61000-4-16(common mode conduction) : 30V cont. 300V,1sIEC(EN) 61000-4-8 shock : IEC 60068-2-27 freefall : IEC 60068-2-32 vibration : IEC 60068-2-6					

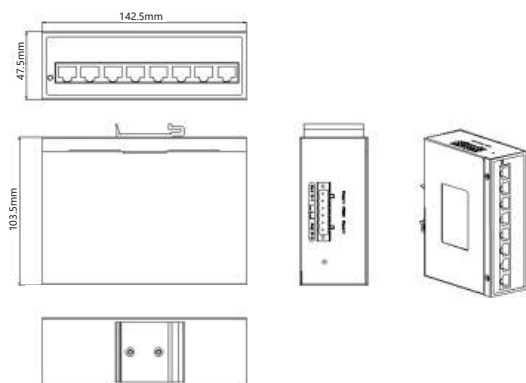


Industrial Switch

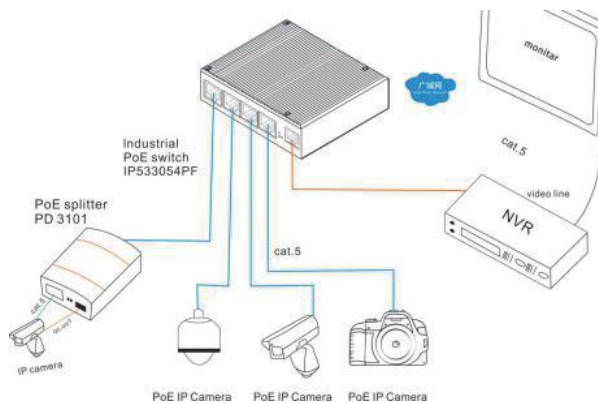


ISO 9001 (2015) quality management system

Product dimensions



Product application



Form: JHDC-308

Product characteristics	adopting high-quality optoelectronic integrated modules to provide good optical and electrical characteristics, ensuring reliable data transmission and long working life supports full duplex or half duplex mode with automatic negotiation capability, and the network interface supports fully automatic cross recognition built in storage and forwarding mechanism, supporting multiple protocols, meeting industrial level operational standards, with an average faultless working time of over 300000 hours working power supply: DC 12-52V provides reverse connection protection, lightning surge impact protection (power supply): 5000A (8/20 μs).					
Description	8-way 100 Mbps industrial ethernet switch, supporting 8 10Base-T/100Base-TX electrical ports. the product meets FCC, CE, and ROHS standards. the RDL308F switch has -40 working at temperatures ranging from °C to 70 °C, it has strong robustness and can adapt to various harsh environments. it can also be conveniently placed in a compact control box. installation of guide rails performance, wide temperature operation, and IP40 protection level housing with LED indicator lights make the RDL308F a plug and play industrial grade device, providing networking for users' ethernet devices provide reliable and convenient solutions.					
Product parameters						
Product name	100M 8-port industrial ethernet switch					
Model	JHDC-308					
Description	8-way non managed industrial ethernet switch					
Description	8 RJ45 ports					
Warranty	3 years					
Protection grade	IP40					
RJ45 port	10/100BaseT (X) automatic detection, full/half duplex MDI/MDI-X adaptive					
Network protocol	10base-T, follow IEEE 802.3		100Base-TX,100Base-FX, following IEEE 802.3u			
RJ45 port	Operation temperature:-40~70 °C		Storage temperature:-40~75 °C		Relative humidity: 5%~95% (without condensation)	
Exchange properties	Transmission method: storage and forwarding	MAC address: 2K	Cache: 1Mbit	Backplane bandwidth: 1.6G	Power consumption: <5W	Exchange latency:<10 μ s
Power supply	Input voltage: DC12-52V (dual power redundancy backup)		Supports dual power redundancy	Supports built-in overcurrent 4.0A protection	Supports reverse protection	Access terminal: phoenix terminal
LED indicators	Power indicator light: PWR	Interface indicator light: electric port (Link)				
Mechanical properties	Shell: IP40 protection level, metal shell		Installation: DIN rail mounted, wall mounted		Heat dissipation mode: free cooling, no fan	Weight: 0.64Kg
Industry standards	EMI : FCC Part 15 subpart B class A, EN 55022 class A EMS : IEC(EN)61000-4-2(ESD) : ±6kV contact discharge, ±8kV air discharge IEC(EN)61000-4-3(RS) : 10V/m(80~1000MHz) IEC(EN)61000-4-4(EFT) : network interface: ±2kV CM//±1kV DM ; IEC(EN)61000-4-5(surge) : network interface: ±2kV CM//±1kV DM ; IEC(EN)61000-4-6(radio frequency conduction) : 3V(10kHz~150kHz),10V(150kHz~80MHz) IEC(EN)61000-4-16(common mode conduction) : 30V cont. 300V,1s IEC(EN)61000-4-8 Shock : IEC 60068-2-27 freefall : IEC 60068-2-32 Vibration : IEC 60068-2-6					



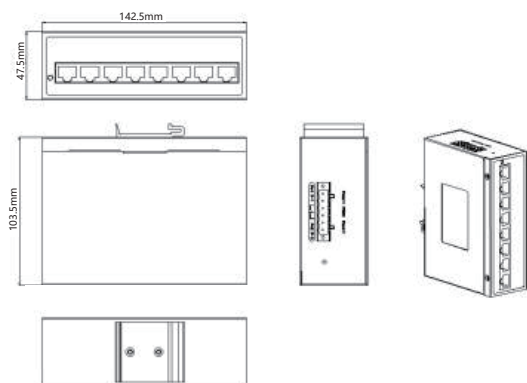
Data ,CAD,3D document please refer to: WWW.VELLEDQ.COM

Industrial Switch

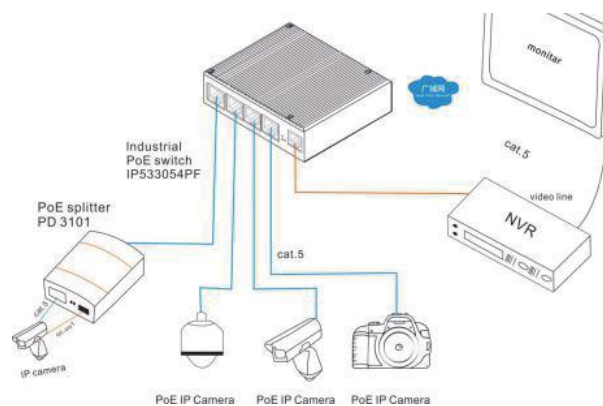


ISO 9001 (2015) quality management system

Product dimensions



Product application



Form: JHDC-G308

Product characteristics	Adopting high-quality optoelectronic integrated modules to provide good optical and electrical characteristics, ensuring reliable data transmission and long working life supports full duplex or half duplex mode with automatic negotiation capability, and the network interface supports fully automatic cross recognition built in storage and forwarding mechanism, supporting multiple protocols, meeting industrial level operational standards, with an average faultless working time of over 300000 hours working power supply: DC 12-52V provides reverse connection protection, lightning surge impact protection (power supply): 5000A (8/20 μ s).					
Description	8-way gigabit industrial Ethernet switch, supporting 8 10Base-T/100Base-T/1000Base-TX electrical ports. The product meets FCC, CE, and ROHS standards. RDL308G exchange The machine has a working temperature of -40 °C to 70 °C, and has strong robustness to adapt to various harsh environments. It can also be conveniently placed in a compact control box. guide, The installation characteristics, wide temperature operation, and IP40 protection level shell and LED indicator light make the RDL308G a plug and play industrial grade device for users' Ethernet devices Backup networking provides reliable and convenient solutions.					
Product parameters						
Product name	1000M 8-port industrial ethernet switch					
Model	JHDC-G308					
Description	8-way non managed industrial ethernet switch					
Description	8 RJ45 ports					
Warranty	3 years					
Protection grade	IP40					
RJ45 port	10/100BaseT (X) automatic detection, full/half duplex MDI/MDI-X adaptive					
Network protocol	110Base-T follows IEEE 802.3100Base-TX, follows IEEE 802.3u, 1000Base-X follows IEEE 802.3z, 1000Base-T follows IEEE 802.3ab, flow control: follows IEEE 802.3x					
RJ45 port	Operation temperature: -40~70 °C	Storage temperature: -40~75 °C	Relative humidity: 5%-95% (Without condensation)			
Exchange properties	Transmission method: storage and forwarding	MAC address: 2K	Cache: 2Mbit	Backplane bandwidth: 20G	Power consumption: <5W	Exchange latency: <10 μ s
Power supply	Input voltage: DC12-52V (dual power redundancy backup)		Supports dual power redundancy	Supports built-in overcurrent 4.0A protection	Supports reverse protection	Access terminal: phoenix terminal
LED indicators	Power indicator light: PWR	Interface indicator light: electric port (Link)				
Mechanical properties	Shell: IP40 protection level, metal shell		Installation: DIN rail mounted, wall mounted		Heat dissipation mode: free cooling, no fan	Weight: 0.64Kg
Industry standards	EMI : FCC part 15 subpart B class A, EN 55022 class A; EMS : IEC(EN)61000-4-2(ESD) : ±6kv contact discharge, ±8kv air discharge IEC(EN)61000-4-3(RS) : 10V/m(80~1000MHz); IEC(EN)61000-4-4(EFT) : network interface : ±2kV CM//±1kV DM ; IEC(EN)61000-4-5 (surge) : network interface : ±2kV CM//±1kV DM ; IEC(EN)61000-4-6(radio frequency conduction) : 3V(10kHz~150kHz), 10V(150kHz~80MHz) IEC(EN)61000-4-16(Common mode conduction) : 30V cont. 300V, 1s; IEC(EN) 61000-4-8 Shock : IEC 60068-2-27; freefall : IEC 60068-2-32; vibration : IEC 60068-2-6					

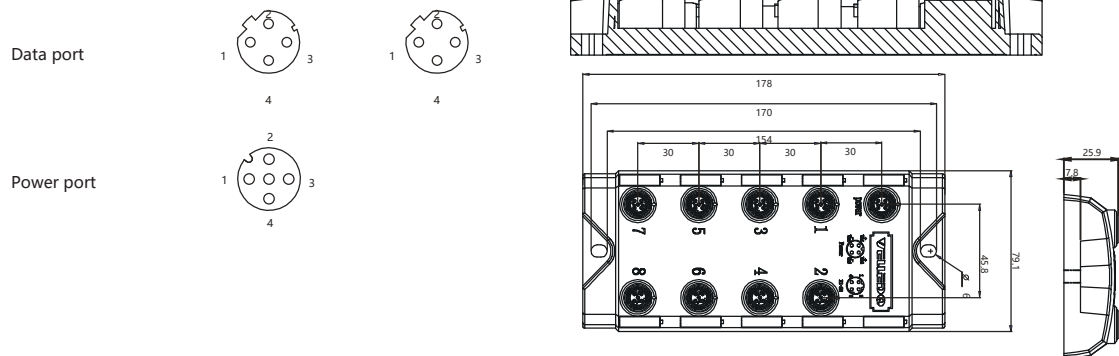


Industrial Switch



ISO 9001 (2015) quality management system

Dimension drawing

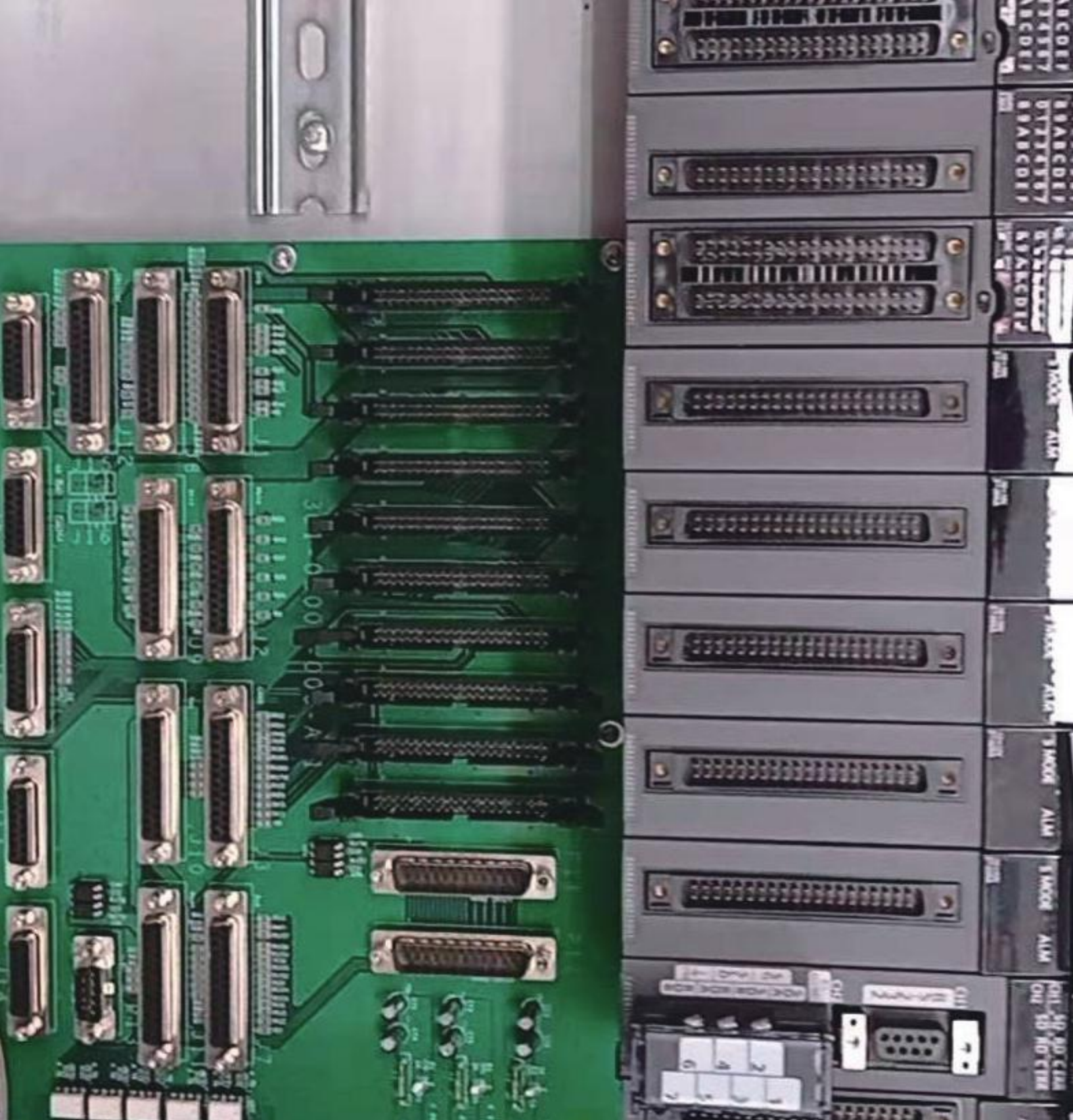


Form: JHDC-T208

Describe:	M12 Unmanaged Industrial Ethernet Switch		
Standard	IEEE 802.3: CSMA/CD IEEE 802.3u: 100Base-T	IEEE 802.3i: 10Base-T IEEE 802.3X: full duplex Flow control	
Flow control	IEEE 802.3X: Flow control	Half/full duplex back pressure Flow control	
MACAddress table	Support1K		
Exchange mode	Store and forward		
Transmission distance	Twisted pair100m		
Packet forwarding rate	1.1Mpps		
Packet buffer rate	512Kbit		
Port	8*100 trillionM12Connector		
Indicator light	Power, link		
Power input	12~36DV (Isolated type)		
Reverse connection of power supplyprotect	Physical anti dazzle design		
Power port	Industrial M12 connector		
Mechanism size	181mm*98mm*30mm		
Degree of protection	IP67		
Installation method	Wall mounted		
Warranty period	5 years		
MTBF	350000h		
Working temperature	-40~+75°C		
Storage temperature	-40~+85°C		
Humidity	5~+95°C(Non coagulating frost)		
Industrystandard	EMI:FCC Part 15, CLSPR(EN55022) classA EMS:EN61000-4-2(DCD) EN61000-4-3(RS)	EEN61000-4-5(Surge) Freefall: IEC 60068-2-23 Vibration: IEC 61373	EN61000-4-6(CS) Shock: IEC 60068-2-27 EN61000-4-4(EFT)



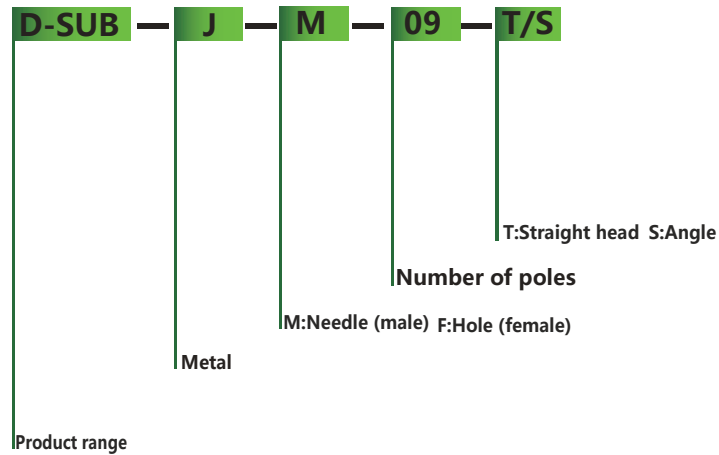
Data ,CAD,3D document please refer to: WWW.VELLEDQ.COM



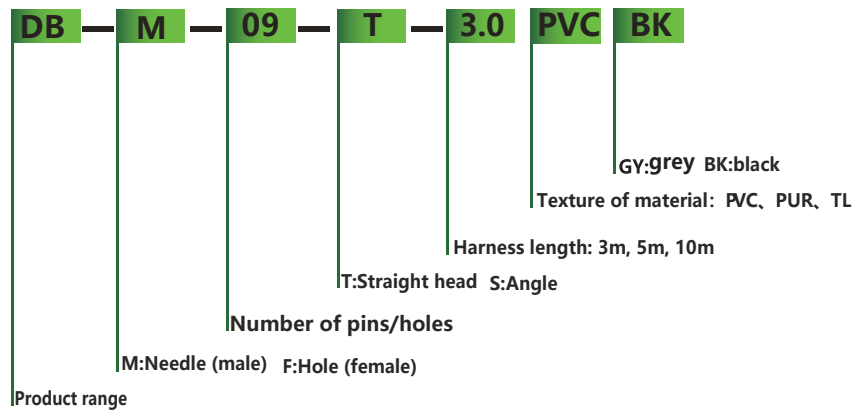
D-SUB Connector/Harness



D-sub Connector Naming



D-sub Connector Harness Naming



Data ,CAD,3D document please refer to: WWW.VELLEDQ.COM



ISO 9001 (2015) quality management system

D-sub Connector Naming

Field-wireable
Welding connection



Product Picture	Product size	Form
		D-SUBJ-M09T-HJ
		D-SUBJ-F09T-HJ
		D-SUBJ-M15T(2P)-HJ
		D-SUBJ-F15S(2P)-HJ
		D-SUBJ-F15T(2P)-HJ
		D-SUBJ-M25T-HJ
		D-SUBJ-F25T-HJ
		D-SUBJ-M09S-HJ
		D-SUBJ-F09S-HJ
		D-SUBJ-M15S(2P)-HJ

Length/Material Could be customized according to different enviroment ,like extrame temprature and acid/alkali

Rated voltage 30 V AC/DC

Rated current 2 A

ProtectionClass(IEC 60529) IP65

Ambient temperature -25~+85°C

Note: All can be matched with other series of connectors, and the wiring sequence can be customized by the customer



D-sub Connector Naming

Field-wireable
Welding connection



Product Picture	Product size	Form
		D-SUBJ-M09T-YJ
		D-SUBJ-F09T-YJ
		D-SUBJ-M15T(2P)-YJ
		D-SUBJ-F15S(2P)-YJ
		D-SUBJ-F15T(2P)-YJ
		D-SUBJ-F25T-YJ

Length/Material Could be customized according to different enviroment ,like extrame temprature and acid/alkali

Rated voltage	30 V AC/DC
Rated current	2 A
ProtectionClass(IEC 60529)	IP65
Ambient temperature	-25~+85°C

Note: All can be matched with other series of connectors, and the wiring sequence can be customized by the customer



Data ,CAD,3D document please refer to: WWW.VELLEDQ.COM



ISO 9001 (2015) quality management system

D-sub Connector Naming

With open ended wires

Product Picture		Product size			

Form	25core	25core	9core	9core
PVC	black3m DB-M25T-3.0PVC/BK	DB-F25T-3.0PVC/BK	DB-M09S-3.0PVC/BK	DB-F09S-3.0PVC/BK
PVC	black5m DB-M25T-5.0PVC/BK	DB-F25T-5.0PVC/BK	DB-M09S-5.0PVC/BK	DB-F09S-5.0PVC/BK
PVC	black10m DB-M25T-10.0PVC/BK	DB-F25T-10.0PVC/BK	DB-M09S-10.0PVC/BK	DB-F09S-10.0PVC/BK
PUR	black3m DB-M25T-3.0PUR/BK	DB-F25T-3.0PUR/BK	DB-M09S-3.0PUR/BK	DB-F09S-3.0PUR/BK
PUR	black5m DB-M25T-5.0PUR/BK	DB-F25T-5.0PUR/BK	DB-M09S-5.0PUR/BK	DB-F09S-5.0PUR/BK
PUR	black10m DB-M25T-10.0PUR/BK	DB-F25T-10.0PUR/BK	DB-M09S-10.0PUR/BK	DB-F09S-10.0PUR/BK
DragChain	black3m DB-M25T-3.0TL/BK	DB-F25T-3.0TL/BK	DB-M09S-3.0TL/BK	DB-F09S-3.0TL/BK
DragChain	black5m DB-M25T-5.0TL/BK	DB-F25T-5.0TL/BK	DB-M09S-5.0TL/BK	DB-F09S-5.0TL/BK
DragChain	black10m DB-M25T-10.0TL/BK	DB-F25T-10.0TL/BK	DB-M09S-10.0TL/BK	DB-F09S-10.0TL/BK

With open ended wires

Product Picture		Product size			

Form	9core	9core	15core	15core
PVC	black3m DB-M09T-3.0PVC/BK	DB-F09T-3.0PVC/BK	DB-M15T-3.0PVC/BK	DB-F15T-3.0PVC/BK
PVC	black5m DB-M09T-5.0PVC/BK	DB-F09T-5.0PVC/BK	DB-M15T-5.0PVC/BK	DB-F15T-5.0PVC/BK
PVC	black10m DB-M09T-10.0PVC/BK	DB-F09T-10.0PVC/BK	DB-M15T-10.0PVC/BK	DB-F15T-10.0PVC/BK
PUR	black3m DB-M09T-3.0PUR/BK	DB-F09T-3.0PUR/BK	DB-M15T-3.0PUR/BK	DB-F15T-3.0PUR/BK
PUR	black5m DB-M09T-5.0PUR/BK	DB-F09T-5.0PUR/BK	DB-M15T-5.0PUR/BK	DB-F15T-5.0PUR/BK
PUR	black10m DB-M09T-10.0PUR/BK	DB-F09T-10.0PUR/BK	DB-M15T-10.0PUR/BK	DB-F15T-10.0PUR/BK
DragChain	black3m DB-M09T-3.0TL/BK	DB-F09T-3.0TL/BK	DB-M15T-3.0TL/BK	DB-F15T-3.0TL/BK
DragChain	black5m DB-M09T-5.0TL/BK	DB-F09T-5.0TL/BK	DB-M15T-5.0TL/BK	DB-F15T-5.0TL/BK
DragChain	black10m DB-M09T-10.0TL/BK	DB-F09T-10.0TL/BK	DB-M15T-10.0TL/BK	DB-F15T-10.0TL/BK



D-sub Connector Naming

With open ended wires

Product Picture	Product size

Form	25core	25core	
PVC	black3m	DB-M25S-3.0PVC/BK	DB-F25S-3.0PVC/BK
PVC	black5m	DB-M25S-5.0PVC/BK	DB-F25S-5.0PVC/BK
PVC	black10m	DB-M25S-10.0PVC/BK	DB-F25S-10.0PVC/BK
PUR	black3m	DB-M25S-3.0PUR/BK	DB-F25S-3.0PUR/BK
PUR	black5m	DB-M25S-5.0PUR/BK	DB-F25S-5.0PUR/BK
PUR	black10m	DB-M25S-10.0PUR/BK	DB-F25S-10.0PUR/BK
DragChain	black3m	DB-M25S-3.0TL/BK	DB-F25S-3.0TL/BK
DragChain	black5m	DB-M25S-5.0TL/BK	DB-F25S-5.0TL/BK
DragChain	black10m	DB-M25S-10.0TL/BK	DB-F25S-10.0TL/BK

Product Picture	Product size

Form	15core	15core	
PVC	black3m	DB-3PM15T-3.0PVC/BK	DB-3PF15T-3.0PVC/BK
PVC	black5m	DB-3PM15T-5.0PVC/BK	DB-3PF15T-5.0PVC/BK
PVC	black10m	DB-3PM15T-10.0PVC/BK	DB-3PF15T-10.0PVC/BK
PUR	black3m	DB-3PM15T-3.0PUR/BK	DB-3PF15T-3.0PUR/BK
PUR	black5m	DB-3PM15T-5.0PUR/BK	DB-3PF15T-5.0PUR/BK
PUR	black10m	DB-3PM15T-10.0PUR/BK	DB-3PF15T-10.0PUR/BK
DragChain	black3m	DB-3PM15T-3.0TL/BK	DB-3PF15T-3.0TL/BK
DragChain	black5m	DB-3PM15T-5.0TL/BK	DB-3PF15T-5.0TL/BK
DragChain	black10m	DB-3PM15T-10.0TL/BK	DB-3PF15T-10.0TL/BK

Length/Material Could be customized according to different enviroment ,like extrame tempreture and acid/alkali

Rated voltage	30 V AC/DC
Rated current	2 A
ProtectionClass(IEC 60529)	IP67
Ambient temperature	-25~ +85°C

Note: All can be matched with other series of connectors, and the wiring sequence can be customized by the customer



Data ,CAD,3D document please refer to: WWW.VELLEDQ.COM



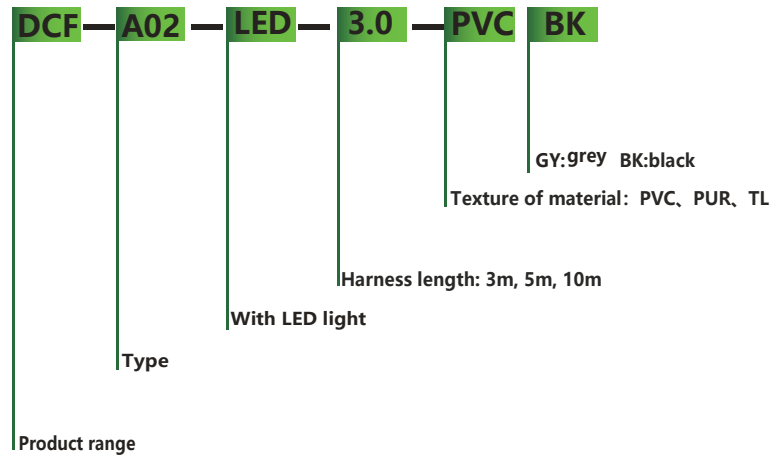
ISO 9001 (2015) quality management system



Solenoid Valve Plug Connector Harness



Solenoid Valve Plug Harness Naming



Data ,CAD,3D document please refer to: WWW.VELLEDQ.COM



ISO 9001 (2015) quality management system

Solenoid Valve Plug Harness Naming



With open ended wires



Product Picture		Product size	
<p>Type A (18mm)</p>			
Form	3core	Circuit	
PVC	black3m		
PVC	black5m		
PVC	black10m		
PUR	black3m		
PUR	black5m		
PUR	black10m		
DragChain	black3m		
DragChain	black5m		
DragChain	black10m		
Length/Material Could be customized according to different enviroment ,like extrame temprature and acid/alkali			
Rated voltage	24 V AC/DC		
Cable	Casting		
Cable sectional area	0.75mm ²		
ProtectionClass(IEC 60529)	IP67		
Ambient temperature	-25~+85°C (Customized: -40~125°C)		

With open ended wires



Product Picture		Product size	
<p>Type A (18mm)</p>			
Form	3core	3core	Circuit
PVC	black3m	DCF-A02-LEDF-3.0PVC/BK	
PVC	black5m	DCF-A02-LEDF-5.0PVC/BK	
PVC	black10m	DCF-A02-LEDF-10.0PVC/BK	
PUR	black3m	DCF-A02-LEDF-3.0PUR/BK	
PUR	black5m	DCF-A02-LEDF-5.0PUR/BK	
PUR	black10m	DCF-A02-LEDF-10.0PUR/BK	
DragChain	black3m	DCF-A02-LEDF-3.0TL/BK	
DragChain	black5m	DCF-A02-LEDF-5.0TL/BK	
DragChain	black10m	DCF-A02-LEDF-10.0TL/BK	
Length/Material Could be customized according to different enviroment ,like extrame temprature and acid/alkali			
Rated voltage	110V AC/DC LED and suppression circuit		
Cable	Casting		
Cable sectional area	0.75mm ²		
ProtectionClass(IEC 60529)	IP67		
Ambient temperature	-25~+85°C (Customized: -40~125°C)		



Solenoid Valve Plug Harness Naming

With open ended wires



Product Picture		Product size	
<p>Type A (18mm)</p>			
Form	3core	3core	Circuit
PVC	black3m	DCF-A02-LED-230-3.0PVC/BK	DCF-A02-230-3.0PVC/BK
PVC	black5m	DCF-A02-LED-230-5.0PVC/BK	DCF-A02-230-5.0PVC/BK
PVC	black10m	DCF-A02-LED-230-10.0PVC/BK	DCF-A02-230-10.0PVC/BK
PUR	black3m	DCF-A02-LED-230-3.0PUR/BK	DCF-A02-230-3.0PUR/BK
PUR	black5m	DCF-A02-LED-230-5.0PUR/BK	DCF-A02-230-5.0PUR/BK
PUR	black10m	DCF-A02-LED-230-10.0PUR/BK	DCF-A02-230-10.0PUR/BK
DragChain	black3m	DCF-A02-LED-230-3.0TL/BK	DCF-A02-230-3.0TL/BK
DragChain	black5m	DCF-A02-LED-230-5.0TL/BK	DCF-A02-230-5.0TL/BK
DragChain	black10m	DCF-A02-LED-230-10.0TL/BK	DCF-A02-230-10.0TL/BK
Length/Material Could be customized according to different enviroment ,like extrame tempreture and acid/alkali			
Rated voltage 230 V AC/DC beltLED and suppression circuit max.230VAC/DC			
Cable		Casting	
Cable sectional area		0.75mm ²	
ProtectionClass(IEC 60529)		IP67	
Ambient temperature		-25~+85°C (Customized: -40~125°C)	
			<p>DCF-A02-LED-230-3.0PVC/BK</p>
			<p>DCF-A02-230-3.0PVC/BK</p>

With open ended wires



Product Picture		Product size	
<p>Type A (18mm)</p>			
Form	3core	3core	Circuit
PVC	black3m	DCF-A02-LEDRG-3.0PVC/BK	DCF-A02-LEDYG-3.0PVC/BK
PVC	black5m	DCF-A02-LEDRG-5.0PVC/BK	DCF-A02-LEDYG-5.0PVC/BK
PVC	black10m	DCF-A02-LEDRG-10.0PVC/BK	DCF-A02-LEDYG-10.0PVC/BK
PUR	black3m	DCF-A02-LEDRG-3.0PUR/BK	DCF-A02-LEDYG-3.0PUR/BK
PUR	black5m	DCF-A02-LEDRG-5.0PUR/BK	DCF-A02-LEDYG-5.0PUR/BK
PUR	black10m	DCF-A02-LEDRG-10.0PUR/BK	DCF-A02-LEDYG-10.0PUR/BK
DragChain	black3m	DCF-A02-LEDRG-3.0TL/BK	DCF-A02-LEDYG-3.0TL/BK
DragChain	black5m	DCF-A02-LEDRG-5.0TL/BK	DCF-A02-LEDYG-5.0TL/BK
DragChain	black10m	DCF-A02-LEDRG-10.0TL/BK	DCF-A02-LEDYG-10.0TL/BK
Length/Material Could be customized according to different enviroment ,like extrame tempreture and acid/alkali			
Rated voltage 24V AC/DC LED(Red/Green) 24V AC/DC LED (Yellow/Green)			
Cable		Casting	
Cable sectional area		0.75mm ²	
ProtectionClass(IEC 60529)		IP67	
Ambient temperature		-25~+85°C (Customized: -40~125°C)	
			<p>DCF-A02-LED RG-3.0PVC/BK</p>
			<p>DCF-A02-LED YG-3.0PUR/BK</p>



Data ,CAD,3D document please refer to: WWW.VELLEDQ.COM



ISO 9001 (2015) quality management system

Solenoid Valve Plug Harness Naming

With open ended wires



Product Picture		Product size	
Form	2core		Circuit
PVC	black3m	DT06F-3.0PVC/BK	
PVC	black5m	DT06F-5.0PVC/BK	
PVC	black10m	DT06F-10.0PVC/BK	
PUR	black3m	DT06F-3.0PUR/BK	
PUR	black5m	DT06F-5.0PUR/BK	
PUR	black10m	DT06F-10.0PUR/BK	
DragChain	black3m	DT06F-3.0TL/BK	
DragChain	black5m	DT06F-5.0TL/BK	
DragChain	black10m	DT06F-10.0TL/BK	
Length/Material Could be customized according to different enviroment ,like extrame tempreature and acid/alkali			
Rated voltage	24V AC/DC beltLED and suppression circuitApplicable pressure switch		
Cable	Casting		
Cable sectional area	0.75mm		
ProtectionClass(IEC 60529)	IP67		
Ambient temperature	-25~+85°C (Customized: -40~125°C)		

With open ended wires



Product Picture		Product size	
Form	3core		Circuit
P.V.C	black3m	DT06T-3.0PVC/BK	J1
P.V.C	black5m	DT06T-5.0PVC/BK	Color
P.V.C	black10m	DT06T-10.0PVC/BK	A ———— Brown
PUR	black3m	DT06T-3.0PUR/BK	B ———— Blue
PUR	black5m	DT06T-5.0PUR/BK	C ———— Black
PUR	black10m	DT06T-10.3.0PUR/BK	
DragChain	black3m	DT06T-3.0TL/BK	
DragChain	black5m	DT06T-5.0TL/BK	
DragChain	black10m	DT06T-10.0TL/BK	
Length/Material Could be customized according to different enviroment ,like extrame tempreature and acid/alkali			
Rated voltage	24V AC/DC		
Cable	Casting		
Cable sectional area	0.75mm		
ProtectionClass(IEC 60529)	IP67		
Ambient temperature	-25~+85°C (Customized: -40~125°C)		

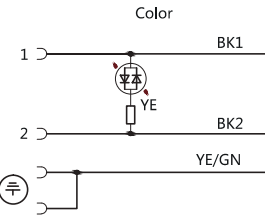


Solenoid Valve Plug Harness Naming

With open ended wires



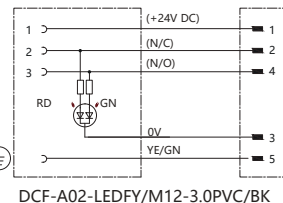
Product Picture		Product size	
<p>Type B</p>		<p>40.6, xxmm, 20, 28.4, 14.5, 20.5</p> <p>Cable diameter control OD=φ5.4±0.2mm 电缆外径 OD=φ5.4±0.2mm</p> <p>71' 3Pin Female A Circular Connector</p>	
Form	2core	Circuit	
PVC	black3m	DCF-B02-LEDRG-3.0PVC/BK	
PVC	black5m	DCF-B02-LEDRG-5.0PVC/BK	
PVC	black10m	DCF-B02-LEDRG-10.0PVC/BK	
PUR	black3m	DCF-B02-LEDRG-3.0PUR/BK	
PUR	black5m	DCF-B02-LEDRG-5.0PUR/BK	
PUR	black10m	DCF-B02-LEDRG-10.0PUR/BK	
DragChain	black3m	DCF-B02-LEDRG-3.0TL/BK	
DragChain	black5m	DCF-B02-LEDRG-5.0TL/BK	
DragChain	black10m	DCF-B02-LEDRG-10.0TL/BK	
Length/Material Could be customized according to different environment, like extreme temperature and acid/alkali			
Rated voltage	24V AC/DC	LED(Red/Green)	24V AC/DC LED (Yellow/Green)
Cable	Casting		
Cable sectional area	0.75mm ²		
ProtectionClass(IEC 60529)	IP67		
Ambient temperature	-30°C~+85°C (Customized: -40~125°C)		



With open ended wires



Product Picture		Product size		Pin Assignment
<p>Type A (18mm)</p>		<p>27, 13, 48.5, 13.9, 13, 18, 18</p>		
Form	5core	5core	Circuit	
PVC	black3m	DCF-A02-LEDF/M12-3.0PVC/BK	DCF-A02-LEDFY/M12-3.0PVC/BK	<p>DCF-A02-LEDF/M12-3.0PVC/BK</p>
PVC	black5m	DCF-A02-LEDF/M12-5.0PVC/BK	DCF-A02-LEDFY/M12-5.0PVC/BK	
PVC	black10m	DCF-A02-LEDF/M12-10.0PVC/BK	DCF-A02-LEDFY/M12-10.0PVC/BK	
PUR	black3m	DCF-A02-LEDF/M12-3.0PUR/BK	DCF-A02-LEDFY/M12-3.0PUR/BK	
PUR	black5m	DCF-A02-LEDF/M12-5.0PUR/BK	DCF-A02-LEDFY/M12-5.0PUR/BK	
PUR	black10m	DCF-A02-LEDF/M12-10.0PUR/BK	DCF-A02-LEDFY/M12-10.0PUR/BK	
DragChain	black3m	DCF-A02-LEDF/M12-3.0TL/BK	DCF-A02-LEDFY/M12-3.0TL/BK	
DragChain	black5m	DCF-A02-LEDF/M12-5.0TL/BK	DCF-A02-LEDFY/M12-5.0TL/BK	
DragChain	black10m	DCF-A02-LEDF/M12-10.0TL/BK	DCF-A02-LEDFY/M12-10.0TL/BK	
Length/Material Could be customized according to different environment, like extreme temperature and acid/alkali				
Rated voltage	24V AC/DC	beltLED and suppression circuit	24V AC/DC	beltLED and suppression circuit
Cable	Casting			
Cable sectional area	0.75mm ²			
ProtectionClass(IEC 60529)	IP67			
Ambient temperature	-25~+85°C (Customized: -40~125°C)			



Data, CAD, 3D document please refer to: WWW.VELLEDQ.COM



ISO 9001 (2015) quality management system

Solenoid Valve Plug Harness Naming

Precast Plug



Product Picture	Product size	Circuit	Circuit	Product size	Pin Assignment	
Form					DCF-AF04/AMP-M03S	Common spare parts

Precast Plug



Product Picture	Product size	Circuit	Circuit	Product size	Pin Assignment
Form		DCF-AF04/M12-M03S	DCF-AF04/M12-M05S	Common spare parts	

Precast Plug



Product Picture	Circuit	Product size	Circuit	Pin Assignment	
Form		DCF-AF04/M12-M03T	DCF-AF04/M12-M05T DCF-AF04/M12-M03T	DCF-AF04/M12-M05T	Common spare parts

Precast Plug



Product Picture	Circuit	Product size	Pin Assignment
Form		DCF-B02-LED-M8-M03S	Common spare parts

Length/Material Could be customized according to different environment, like extreme temperature and acid/alkali

Rated voltage	24 V AC/DC
Rated current	Max. 4 A
Line pressing range	
ProtectionClass(IEC 60529)	IP67-The jack and pin are tightened (EN 60529)
Ambient temperature	-25~+85°C
Housing material	Nickel plated brass
Cable outlet diameter	4~8mm



Solenoid Valve Plug Harness Naming

Precast Plug

Form **HQM008S-xxPVC (4G1.5+2G1.0)P.GY** **HQM008S-xxPVC4G1.5P.GY**

Product Picture	HQM008S-xxPVC (4G1.5+2G1.0)P.GY	HQM008S-xxPVC4G1.5P.GY	Product size	Hole location definition
	<ul style="list-style-type: none"> 1 Yellow 2 Green 3 Red 4 5 1 Black1 6 7 2 Black2 8 Yellow/Green PE Yellow/Green Shield 	<ul style="list-style-type: none"> 1 Yellow 2 Green 3 Red 4 5 Yellow/Green 6 Shield 7 8 		

Precast Plug

Form **HQF4-2S-xxPVC4G2.5.GY**

Product Picture	HQF4-2S-xxPVC4G2.5.GY	Product size	Hole location definition
	<ul style="list-style-type: none"> 1 Yellow 2 Green 3 Red PE Yellow/Green 		

Precast Plug

Form **VL-HQM005-4-1PVC-xx**

Product Picture	VL-HQM005-4-1PVC-xx	Product size	Hole location definition
	<ul style="list-style-type: none"> 1 Yellow PE Yellow/Green 2 Green 3 Red 4 5 		

Length/Material Could be customized according to different enviroment ,like extrame temprature and acid/alkali

Rated voltage	400 V AC/DC
Rated current	Max. 32 A
Line pressing range	
Degree of protection	IP67
Ambient temperature	-20~+85°C
Housing material	pvc
Cable specification	4G1mm ²

M16 One for six harness

With open ended wires



Belt LED lamp

Product Picture	Product size

Form	PVC	RH-Y16-H05FF200
Length/Material Could be customized according to different enviroment ,like extrame temprature and acid/alkali		
Core specification	2*0.75mm ²	
ProtectionClass(IEC 60529)	IP67	
Working temperature	-5~+65°C (move) (fixed: -20°C~85°C)	
Ontact resistance	≤1mΩ	



Communicate Now

Data ,CAD,3D document please refer to: WWW.VELLEDQ.COM



ISO 9001 (2015) quality management system



Commercial Wire And Cable



Product Standard

This product is manufactured according to GB/T5023 Polyvinyl chloride with rated voltage of 450/750V and below Insulated Cable, JB/T8734 Polychloroethylene with Rated Voltages up to and including 450/750V, Ethylene insulated cables, wires and flexible cords, According to IEC, British Standards, German Standards and American Standards recommended by the International Electrotechnical Commission National standard production

Scope Of Application

This product is applicable to power devices with rated voltages up to and including 450/750V For fixed wiring and flexible link appliances.

Applicable Characteristics

- ★ Rated voltage u_0 / u is 450 / 750, 300 / 500V and 300 / 300V
- ★ Maximum allowable long-term operating temperature of cable conductor:
 - 227 IEC 07 (BV-90).....90°C
 - 227 IEC 08 (RV-90).....90°C
 - Other models 70°C
- ★ The ambient temperature during cable laying shall not be lower than 0 °C.
- ★ Cable bending radius:
 - $D \leq 25\text{mm}$ $\geq 4D$
 - $D \geq 25\text{mm}$ $\geq 6D$
 (d-diameter of the cable)

Cable Type And Name

Type	Name	Standard
227 IEC 01 (BV)	General purpose single core hard conductor sheathless cable	GB/T 5023 IEC 60227
227 IEC 52 (RVV)	Light PVC sheathed flexible cord	
227 IEC 53 (RVV)	Ordinary PVC sheathed flexible cord	
BVR	Copper core PVC insulated flexible cable	JB/T 8734
RVVP	Copper core PVC insulated screen PVC sheathed flexible cable	



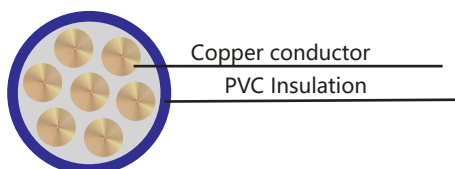
Production scope of cable

Type	Rated voltage	Number of cores	Nominal load surface of conductor (mm)	Standard
227 IEC 01(BV)	450/750	1	1.5 ~ 10	GB/T 5023 IEC 60227
227 IEC 52(RVV)	300/300	2、3	0.5 ~ 0.75	
227 IEC 53(RVV)	300/500	2、3、4、5	0.75 ~ 1.5	
BVR	450/750	1	2.5 ~ 6.0	JB/T 8734
RVVP	300/300	1、2 ~ 24	0.14 ~ 0.5	

AVR 300/300V

Copper conductor PVC insulation installation flexible cable
Standard: JB/T 8734

Part number	Specifications	External diameter (mm)	Approximate weight of cable (kg/km)
AVR0.1.BK	0.1	1.0	2.27
AVR0.14.BK	0.14	1.2	2.68
AVR0.25.BK	0.25	1.66	3.70
AVR0.34.BK	0.34	1.8	5.23
AVR0.5.BK	0.5	2.15	6.61
AVR0.75.BK	0.75	2.45	12.41
AVR1.0.BK	1.0	2.55	14.85
AVR1.5.BK	1.5	2.95	21.08
Selective Color	BU RD	WH	BN GY
Standard color	BK	YE/GN	



Structural Dimensions Of Cables

60227 IEC 01 (BV)

Single-core non-sheathed cable with solid conductor for general purposes

Part number	Specifications	External diameter (mm)	Approximate weight of cable (kg/km)
BV1.5.BK	1.5	2.95	19.56
BV2.5.BK	2.5	3.6	30.81
BV4.0.BK	4.0	4.0	45.32
BV6.0.BK	6.0	4.8	64.47
BV10.BK	10	6.0	110.98



BV 300/500V

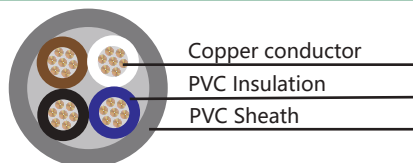
Copper conductor PVC insulated wire

Specifications (mm) ²	In stranded conductors Minimum number of single lines	Insulation thickness (mm)	Upper limit of average outer diameter	Approximate weight of cable (kg/km)	Maximum DC resistance of conductor at 20 °C (Ω/km)		Minimum insulation resistance (70°C) (MΩ.km)
					Copper core	Tinned copper core	
0.75	7	0.6	2.6	11.15	24.5	24.8	0.014
1	7	0.6	2.8	13.99	18.1	18.2	0.013

AR300/300N

Copper conductor PVC insulation PVC Jacket installation flexible cable Standard:JB/T 8734

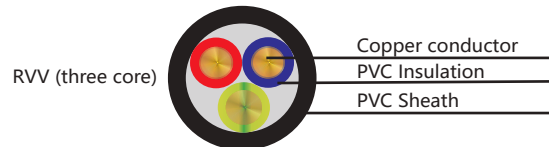
Part number	Specifications	External diameter (mm)	Approximate weight of cable (kg/km)
AVVR9C0.14.BK	9x0.14	6.27	46.08
AVVR12C0.14.BK	12x0.14	7.5	55.76
AVVR2C0.25.BK	2x0.25	4.05	18.80
AVVR3C0.25.BK	3x0.25	4.26	21.96
AVVR4C0.25.BK	4x0.25	4.62	26.75
AVVR3C0.34.B.K	3x0.34	4.63	24.83
AVVR4C0.34.BK	4x0.34	4.59	30.28
AVVR5C0.34.BK	5x0.34	5.52	38.15
AVVR8C0.34BK	8x0.34	7.19	67.93
AVVR12C0.34.BK	12x0.34	8.61	93.68
AVVR2C0.5.BK	2x0.5	4.90	29.21
AVVR3C0.5.BK	3x0.5	5.17	35.30
AVVR4C0.5.BK	4x0.5	5.84	47.21
AVVR5C0.5.BK	5x0.5	6.36	53.85
AVVR2C0.75.BK	2x0.75	6.90	62.78
AVVR3C0.75.BK	3x0.75	7.10	71.08
AVVR4C0.75.BK	4x0.75	7.64	81.05
AVVR5C0.75.BK	5x0.75	8.35	90.23
AVVR2C1.0.BK	2x1.0	8.89	100.50
AVVR3C1.5.BK	3x1.5	9.17	105.85
AVVR4C1.5.BK	4x1.5	9.16	112.49
AVVR5C1.5.BK	5x1.5	9.64	121.01



Data ,CAD,3D document please refer to: WWW.VELLEDQ.COM

60227 IEC 52 (RVV) Light PVC sheathed flexible cord

Part number	Specifications	External diameter (mm)	Approximate weight of cable (kg/km)
RVV2C0.5.BK	2x0.5	5.06	31.62
RVV3C0.5.BK	3x0.5	5.75	43.85
RVV4C0.5.BK	4x0.5	6.24	54.59
RVV5C0.5.BK	5x0.5	6.78	62.52
RVV6C0.5.BK	6x0.5	7.35	72.75
RVV7C0.5.BK	7x0.5	7.35	78.78
RVV8C0.5.BK	8x0.5	8.11	93.51
RVV9C0.5.BK	9x0.5	8.86	105.63
RVV10C0.5.BK	10x0.5	9.63	120.12
RVV2C0.75.BK	2x0.75	6.26	46.97
RVV3C0.75.BK	3x0.75	6.26	59.15



60227 IEC 53 (RVV) Ordinary PVC sheathed flexible cord

Part number	Specifications	External diameter (mm)	Approximate weight of cable (kg/km)
RVV4C0.75.BK	4x0.75	7.21	73.07
RVV5C0.75.BK	5x0.75	8.06	89.81
RVV2C1.0.BK	2x1.0	6.57	55.40
RVV3C1.0.BK	3x1.0	6.95	68.58
RVV4C1.0.BK	4x1.0	7.78	89.22
RVV5C1.0.BK	5x1.0	8.48	103.68

60227 IEC 53(RVV) Ordinary PVC sheathed flexible cord

Part number	Specifications	External diameter (mm)	Approximate weight of cable (kg/km)
RVV2C1.5.BK	2x1.5	7.47	71.15
RVV3C1.5.BK	3x1.5	8.11	96.24
RVV4C1.5.BK	4x1.5	9.06	122.50
RVV5C1.5.BK	5x1.5	10.09	151.25

The above core number and cross section are some products. For more information, please contact the Sales Department of Weile electric Unless otherwise specified, all listed products are rated and can be adjusted according to customer requirements The corresponding parameters are provided, and the pictures are for reference only.



RVVP 300/300V Copper core PVC insulated PVC sheathed shielded flexible cable

Part number	Specifications	External diameter (mm)	Approximate weight of cable (kg/km)
RVVP9C0.14.BK	9x0.14	6.29	48.97
RVVP12C0.14.BK	12x0.14	6.85	59.63
RVVP4C0.25.BK	4x0.25	5.04	33.82
RVVP5C0.25.BK	5x0.25	5.43	40.26
RVVP12C.25.BK	12x0.25	6.85	59.63
RVVP3C0.34.BK	3x0.34	5.31	37.78
RVVP4C.034.BK	4x0.34	5.74	43.85

RVVP 300/300V Copper core PVC insulated PVC sheathed shielded flexible cable

Part number	Specifications	External diameter (mm)	Approximate weight of cable (kg/km)
RVVP5C0.34.BK	5x0.34	6.21	51.62
RVVP12C0.34.BK	12x0.34	9.03	106.95

RVVP 300/300V Copper core PVC insulated PVC sheathed shielded flexible cable

Part number	Specifications	External diameter (mm)	Approximate weight of cable (kg/km)
RVVP2C0.5.BK	2x0.5	5.48	39.42
RVVP3C0.5.BK	3x0.5	5.77	46.98
RVVP4C0.5.BK	4x0.5	6.66	64.03
RVVP5C0.5.BK	5x0.5	7.20	72.83
RVVP2C0.75.BK	2x0.75	5.88	46.47
RVVP3C0.75.BK	3x0.75	6.20	56.77
RVVP4C0.75.BK	4x0.75	7.15	77.11
RVVP5C0.75.BK	5x0.75	7.74	89.23
RVVP6C0.75.BK	6x0.75	8.37	103.51

RVVP 300/300V Copper core PVC insulated PVC sheathed shielded flexible cable

Part number	Specifications	External diameter (mm)	Approximate weight of cable (kg/km)
RVVP2C1.0.BK	2x1.0	6.79	67.79
RVVP3C1.0.BK	3x1.0	7.37	79.16
RVVP4C1.0.BK	4x1.0	8.20	101.02
RVVP5C1.0.BK	5x1.0	8.90	116.60
RVVP2C1.5.BK	2x1.5	7.54	74.12
RVVP3C1.5.BK	3x1.5	7.98	93.62
RVVP4C1.5.BK	4x1.5	9.04	124.97
RVVP5C1.5.BK	5x1.5	9.84	151.84





Industrial Wire And Cable



Cross section						
Shield	Unshielded	Shield	Unshielded	Shield	Unshielded	Shield
Cable jacket	4*0.25mm ²	4*0.25mm ²	4*0.25mm ²	4*0.25mm ²	4*0.25mm ²	4*0.25mm ²
Skin material	PVC	PVC	PVC	PVC	PVC	PVC
	PUR	PUR	PUR	PUR	PUR	PUR
	Drag chain	Drag chain	Drag chain	Drag chain	Drag chain	Drag chain
Part number	PVC4C0.25.BK	PVC4C0.25PBK	PVC4C0.25.GY	PVC4C0.25PGY	PVC4C0.25.OG	PVC4C0.25POG
	PUR4C0.25.BK	PUR4C0.25PBK	PUR4C0.25.GY	PUR4C0.25PGY	PUR4C0.25.OG	PUR4C0.25POG
	TL4C0.25.BK	TL4C0.25PBK	TL4C0.25.GY	TL4C0.25PGY	TL4C0.25.OG	TL4C0.25POG
					FH4C0.25.OG	FH4C0.25POG
Cross section						
Shield	Unshielded	Shield	Unshielded	Shield	Unshielded	Shield
Wire gauge	3*0.25mm ²	3*0.25mm ²	3*0.25mm ²	3*0.25mm ²	3*0.25mm ²	3*0.25mm ²
Cable jacket	PVC	PVC	PVC	PVC	PVC	PVC
	PUR	PUR	PUR	PUR	PUR	PUR
	Drag chain	Drag chain	Drag chain	Drag chain	Drag chain	Drag chain
Part number	PVC3C0.25.BK	PVC3C0.25PBK	PVC3C0.25.GY	PVC3C0.25PGY	PVC3C0.25.OG	PVC3C0.25POG
	PUR3C0.25.BK	PUR3C0.25PBK	PUR3C0.25.GY	PUR3C0.25PGY	PUR3C0.25.OG	PUR3C0.25POG
	TL3C0.25.BK	TL3C0.25PBK	TL3C0.25.GY	TL3C0.25PGY	TL3C0.25.OG	TL3C0.25POG
					FH3C0.25.OG	FH3C0.25POG
Cross section						
Shield	Unshielded	Shield	Unshielded	Shield	Unshielded	Shield
Wire gauge	3*0.34mm ²	3*0.34mm ²	3*0.34mm ²	3*0.34mm ²	3*0.34mm ²	3*0.34mm ²
Cable jacket	PVC	PVC	PVC	PVC	PVC	PVC
	PUR	PUR	PUR	PUR	PUR	PUR
	Drag chain	Drag chain	Drag chain	Drag chain	Drag chain	Drag chain
Part number	PVC3C0.34.BK	PVC3C0.34PBK	PVC3C0.34.GY	PVC3C0.34PGY	PVC3C0.34.OG	PVC3C0.34POG
	PUR3C0.34.BK	PUR3C0.34PBK	PUR3C0.34.GY	PUR3C0.34PGY	PUR3C0.34.OG	PUR3C0.34POG
	TL3C0.34.BK	TL3C0.34PBK	TL3C0.34.GY	TL3C0.34PGY	TL3C0.34.OG	TL3C0.34POG
					FH3C0.34.OG	FH3C0.34POG



Cross section						
Shield	Unshielded	Shield	Unshielded	Shield	Unshielded	Shield
Wire gauge	3*0.34mm ²	3*0.34mm ²	4*0.34mm ²	4*0.34mm ²	4*0.34mm ²	4*0.34mm ²
Cable jacket	PVC	PVC	PVC	PVC	PVC	PVC
	PUR	PUR	PUR	PUR	PUR	PUR
	Drag chain	Drag chain	Drag chain	Drag chain	Drag chain	Drag chain
Part number	PVC3C0.34.YE	PVC3C0.34.PYE	PVC4C0.34.BK	PVC4C0.34.PBK	PVC4C0.34.GY	PVC4C0.34.PGY
	PUR3C0.34.YE	PUR3C0.34.PYE	PUR4C0.34.BK	PUR4C0.34.PBK	PUR4C0.34.GY	PUR4C0.34.PGY
	TL3C0.34.YE	TLC0.34.PYE	TL4C0.34.BK	TL4C0.34.PBK	TL4C0.34.GY	TL4C0.34.PGY
Cross section						
Shield	Unshielded	Shield	Unshielded	Shield	Unshielded	Shield
Wire gauge	4*0.34mm ²	4*0.34mm ²	4*0.34mm ²	4*0.34mm ²	5*0.34mm ²	5*0.34mm ²
Cable jacket	PVC	PVC	PVC	PVC	PVC	PVC
	PUR	PUR	PUR	PUR	PUR	PUR
	Drag chain	Drag chain	Drag chain	Drag chain	Drag chain	Drag chain
	Anti welding slag	Anti welding slag	Drag chain	Drag chain	Drag chain	Drag chain
Part number	PVC4C0.34.OG	PVC4C0.34.POG	PVC4C0.34.YE	PVC4C0.34.PYE	PVC5C0.34.BK	PVC5C0.34.PBK
	PUR4C0.34.OG	PUR4C0.34.POG	PUR4C0.34.YE	PUR4C0.34.PYE	PUR5C0.34.BK	PUR5C0.34.PBK
	TL4C0.34.OG	TL4C0.34.POG	TL4C0.34.YE	TL4C0.34.PYE	TL5C0.34.BK	TL5C0.34.PBK
	FH4C0.34.POG	FH4C0.34.POG				
Cross section						
Shield	Unshielded	Shield	Unshielded	Shield	Unshielded	Shield
Wire gauge	5*0.34mm ²	5*0.34mm ²	5*0.34mm ²	5*0.34mm ²	5*0.34mm ²	5*0.34mm ²
Cable jacket	PVC	PVC	PVC	PVC	PVC	PVC
	PUR	PUR	PUR	PUR	PUR	PUR
	Drag chain	Drag chain	Anti welding slag	Anti welding slag	Drag chain	Drag chain
Part number	PVC5C0.34.GY	PVC5C0.34.PGY	PVC5C0.34.OG	PVC5C0.34.POG	PVC5C0.34.YE	PVC5C0.34.PYE
	PUR5C0.34.GY	PUR5C0.34.PGY	PUR5C0.34.OG	PUR5C0.34.POG	PUR5C0.34.YE	PUR5C0.34.PYE
	TL5C0.34.GY	TL5C0.34.PGY	TL5C0.34.OG	TL5C0.34.POG	TL5C0.34.YE	TL5C0.34.PYE
		FH5C0.34.OG	FH5C0.34.POG			



Cross section						
Shield	Unshielded	Shield	Unshielded	Shield	Unshielded	Shield
Wire gauge	8*0.25mm ²	8*0.25mm ²	8*0.25mm ²	8*0.25mm ²	8*0.25mm ²	8*0.25mm ²
Cable jacket	PVC	PVC	PVC	PVC	PVC	PVC
	PUR	PUR	PUR	PUR	PUR	PUR
	Drag chain	Drag chain	Drag chain	Drag chain	Drag chain	Drag chain
Part number	PVC8C0.25.BK	PVC8C0.25P.BK	PVC8C0.25.GY	PVC8C0.25P.GY	PVC8C0.25.OG	PVC8C0.25P.OG
	PUR8C0.25.BK	PUR8C0.25P.BK	PUR8C0.25.GY	PUR8C0.25P.GY	PUR8C0.25.OG	PUR8C0.25P.OG
	TL8C0.25.BK	TL8C0.25P.BK	TL8C0.25.GY	TL8C0.25P.GY	TL8C0.25.OG	TL8C0.25P.OG
Cable jacket	PVC	PVC	PVC	PVC	PVC	PVC
	PUR	PUR	PUR	PUR	PUR	PUR
	Drag chain	Drag chain	Drag chain	Drag chain	Drag chain	Drag chain
Part number	PVC12C0.14.BK	PVC12C0.14P.BK	PVC12C0.14.GY	PVC12C0.14P.GY	PVC12C0.14.OG	PVC12C0.14P.OG
	PUR12C0.14.BK	PUR12C0.14P.BK	PUR12C0.14.GY	PUR12C0.14P.GY	PUR12C0.14.OG	PUR12C0.14P.OG
	TL12C0.14.BK	TL12C0.14P.BK	TL12C0.14.GY	TL12C0.14P.GY	TL12C0.14.OG	TL12C0.14P.OG
Cable jacket	PVC	PVC	PVC	PVC	PVC	PVC
	PUR	PUR	PUR	PUR	PUR	PUR
	Drag chain	Drag chain	Drag chain	Drag chain	Drag chain	Drag chain
Part number	PVC17C0.14.BK	PVC17C0.14P.BK	PVC17C0.14.GY	PVC17C0.14P.GY	PVC17C0.14.OG	PVC17C0.14P.OG
	PUR17C0.14.BK	PUR17C0.14P.BK	PUR17C0.14.GY	PUR17C0.14P.GY	PUR17C0.14.OG	PUR17C0.14P.OG
	TL17C0.14.BK	TL17C0.14P.BK	TL17C0.14.GY	TL17C0.14P.GY	TL17C0.14.OG	TL17C0.14P.OG



Cross section						
Wire gauge	4G1.5mm ²	4G1.5mm ²	4G1.5mm ²	4G1.5mm	5G1.5mm ²	5G1.5mm ²
Shield	Unshielded	Shield	Unshielded	Shield	Unshielded	Shield
Cable jacket	PVC	PVC	PVC	PVC	PVC	PVC
	PUR	PUR	PUR	PUR	PUR	PUR
	Drag chain	Drag chain	Drag chain	Drag chain	Drag chain	Drag chain
Part number	PVC4G1.5.YE	PVC4G1.5P.YE	PVC4G1.5.GY	PVC4G1.5P.GY	PVC5G1.5.YE	PVC5G1.5P.YE
	PUR4G1.5.YE	PUR4G1.5P.YE	PUR4G1.5.GY	PUR4G1.5P.GY	PUR5G1.5.YE	PUR5G1.5P.YE
	TL4G1.5.YE	TL4G1.5P.YE	TL4G1.5.GY	TL4G1.5P.GY	TL5G1.5.YE	TL5G1.5P.YE
Cross section						
Wire gauge	5G1.5mm ²	5G1.5mm ²	4*0.25mm ² +2*0.5mm ²	8*0.25mm ² +2*0.5mm ²	12*0.25mm ² +2*0.5mm ²	4*0.34mm ² +3*0.75mm ²
Shield	Unshielded	Shield	Unshielded	Unshielded	Unshielded	Unshielded
Cable jacket	PVC	PVC	PVC	PVC	PVC	PVC
	PUR	PUR	PUR	PUR	PUR	PUR
	Drag chain	Drag chain	Drag chain	Drag chain	Drag chain	Drag chain
Part number	PVC5G1.5.GY	PVC5G1.5P.GY	PVC4C0.25+2C0.5.GY	PVC8C0.25+2C0.5.GY	PVC12C0.25+2C0.5.GY	PVC4C0.34+3C0.75.GY
	PUR5G1.5.GY	PUR5G1.5P.GY	PUR4C0.25+2C0.5.GY	PUR8C0.25+2C0.5.GY	PUR12C0.25+2C0.5.GY	PUR4C0.34+3C0.75.GY
	TL5G1.5.GY	TL5G1.5P.GY	TL4C0.25+2C0.5.GY	TL8C0.25+2C0.5.GY	TL12C0.25+2C0.5.GY	TL4C0.34+3C0.75.GY
Cross section						
Wire gauge	6*0.34mm ² +3*0.75mm ²	8*0.34mm ² +3*0.75mm ²	12*0.34mm ² +3*0.75mm ²	16*0.34mm ² +3*0.75mm ²		
Shield	Unshielded	Unshielded	Unshielded	Unshielded		
Cable jacket	PVC	PVC	PVC	PVC		
	PUR	PUR	PUR	PUR		
	Drag chain	Drag chain	Drag chain	Drag chain		
Part number	PVC6C0.34+3C0.75.GY PUR6C0.34+3C0.75.GY TL6C0.34+3C0.75.GY	PVC8C0.34+3C0.75.GY PUR8C0.34+3C0.75.GY TL8C0.34+3C0.75.GY	PVC12C0.34+3C0.75.GY PUR12C0.34+3C0.75.GY TL12C0.34+3C0.75.GY	PVC16C0.34+3C0.75.GY PUR16C0.34+3C0.75.GY TL16C0.34+3C0.75.GY		

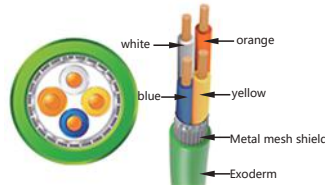




Network Communication Cable

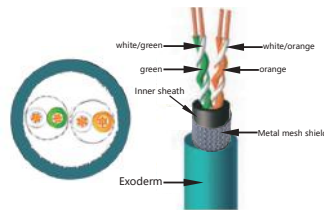


1、 ProfiNET Protocol Cable



Part number	Cable specification	Exterior cover material color	Shielding type
PNGD.GN	1*4*22AWG 4-core ProfiNET fixed installation cable	green	shield
PNYD.GN	1*4*22AWG 4-core ProfiNET mobile installation cable	green	shield
PNTL.GN	1*4*22AWG 4-core ProfiNET drag chain installation cable	green	shield

2、 EtherNET Protocol Cable



Part number	Cable specification	Exterior cover material color	Shielding type
ENGD.BG	2*2*26AWG 4-core EtherNET fixed installation cable	blackish green	shield
ENYD.BG	2*2*26AWG 4-core EtherNET mobile installation cable	blackish green	shield
ENTL.BG	2*2*26AWG 4-core EtherNET drag chain installation cable	blackish green	shield

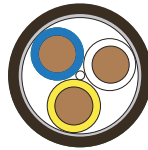
3、 EtherNET /IP Protocol Cable



Part number	Cable specification	Exterior cover material color	Shielding type
NIGD.BG	4*2*26AWG 8-core EtherNET I/P fixed installation cable	blackish green	shield
NIYD.BG	4*2*26AWG 8-core EtherNET I/P mobile installation cable	blackish green	shield
NITL.BG	4*2*26AWG 8-core EtherNET I/P drag chain installation cable	blackish green	shield

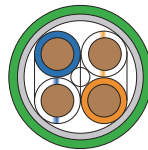


4、CC-link Protocol Cable



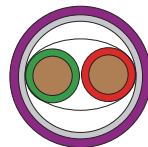
Part number	Cable specification	Exterior cover material color	Shielding type
CLGD.BN	3*0.5mm ² 3-core CAN link fixed installation cable	brown	shield
CLYD.BN	3*0.5mm ² 3-core CAN link mobile installation cable	brown	shield
CLTL.BN	3*0.5mm ² 3-core CAN link drag chain installation cable	brown	shield

5、EtherCAT Protocol Cable



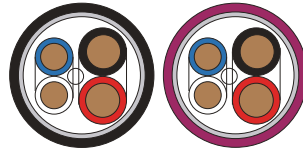
Part number	Cable specification	Exterior cover material color	Shielding type
ECGD.GN	1*4*26AWG 4-core EtherCAT fixed installation cable	green	shield
ECYD.GN	1*4*26AWG 4-core EtherCAT mobile installation cable	green	shield
ECTL.GN	1*4*26AWG 4-core EtherCAT drag chain installation cable	green	shield

6、ProfiBUS Protocol Cable



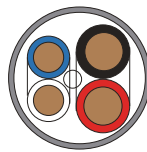
Part number	Cable specification	Exterior cover material color	Shielding type
PBGD.VT	1*2*0.64mm ² 2-core ProfiBUS fixed installation cable	purple	shield
PBYD.VT	1*2*0.64mm ² 2-core ProfiBUS mobile installation cable	purple	shield
PBTL.CN	1*2*0.64mm ² 2-core ProfiBUS drag chain installation cable	cyan	shield





7、 DeviceNET Protocol Cable (fine)

Part number	Cable specification	Exterior cover material color	Shielding type
DNGD.VT	2*0.25+*2*0.34mm ² 4-core DeviceNET fixed installation cable	purple	shield
DNYD.BK	2*0.25+*2*0.34mm ² 4-core DeviceNET mobile installation cable	black	shield
DNYD.VT	2*0.25+*2*0.34mm ² 4-core DeviceNET mobile installation cable	purple	shield



8、 DeviceNET Protocol Cable(crude)

Part number	Cable specification	Exterior cover material color	Shielding type
DNGD(H).GY	2*15AWG+2*18AWG 4-core DeviceNET fixed installation thick cable	grey	shield
DNYD(H).GY	2*15AWG+2*18AWG 4-core DeviceNET mobile installation thick cable	grey	shield
DNTL(H).GY	2*15AWG+2*18AWG 4-core DeviceNET drag chain installation thick cable	grey	shield

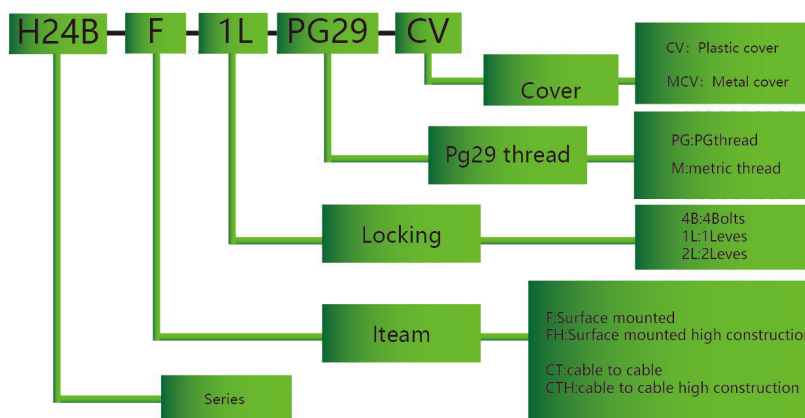
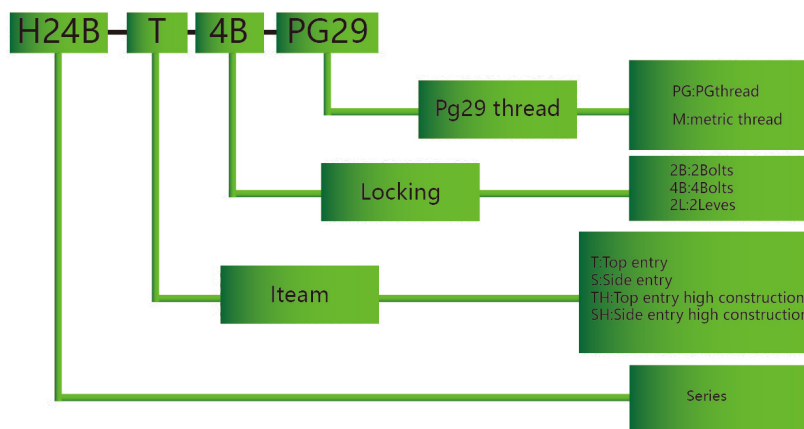
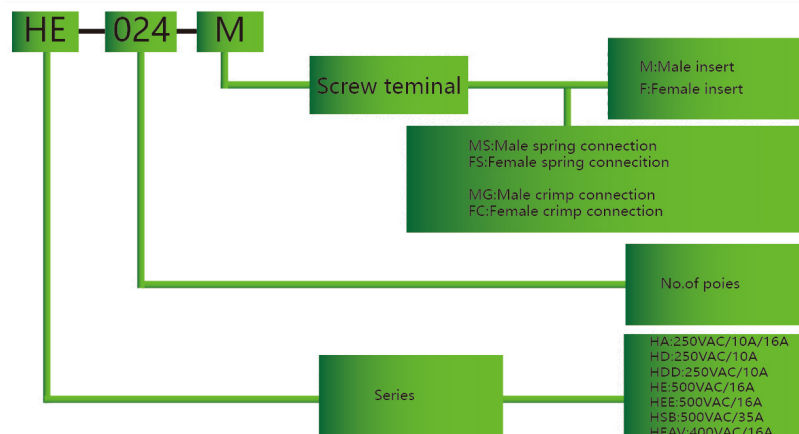
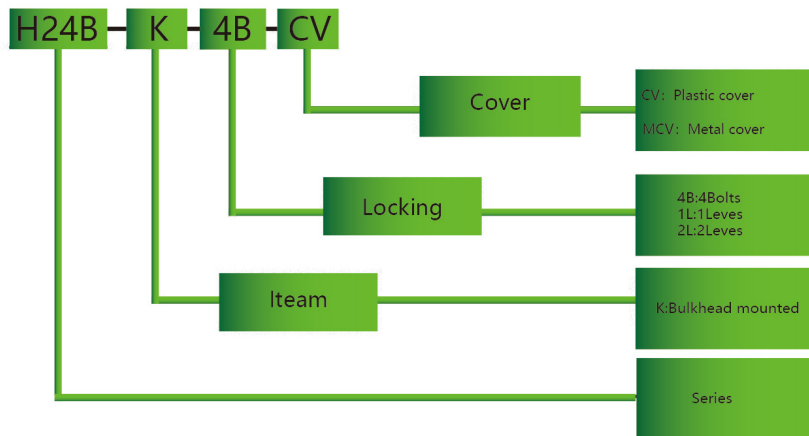




Heavy-Duty Connector



Heavy-duty connector



Heavy-Duty Connector

● HA-003/004

Small Inserts 230/400V 10A

Product Picture	PartNumber	Dimension	Housing
Screw Connection 	HA-003-M	Pin arrangement wiring diagram 	Match 3A housing/Hold
	HA-003-F		
Spring Connection 	HA-003-MS		
	HA-003-FS		

Small Inserts 230/400V 10A 4+

Product Picture	PartNumber	Dimension	Housing
Screw Connection 	HA-004-M	Pin arrangement wiring diagram 	Match 3A housing/Hold
	HA-004-F		
	HA-004-MS		
	HA-004-FS		



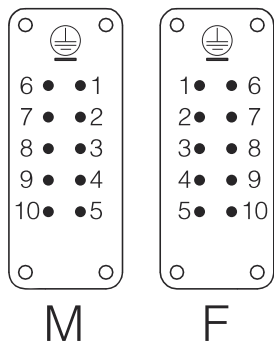
Heavy-Duty Connector

● HA-010

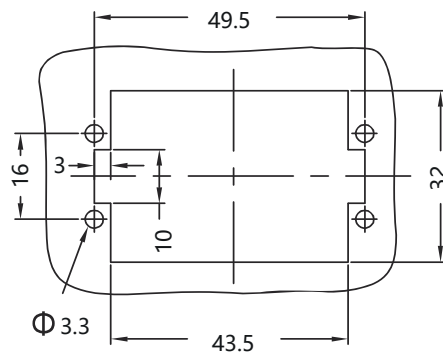
Small Inserts 230/400V 16A

Product Picture	PartNumber	Dimension	Housing
<p>Screw Connection</p>	<p>HA-010-M</p> <p>HA-010-F</p>	<p>Maximum distance between connectors 24mm</p>	Match 10A housing/Hold
<p>Spring clip crimping</p>	<p>HA-010-MS</p> <p>HA-010-FS</p>	<p>Maximum distance between connectors 24mm</p>	

Pin Sequence



Panel installation hole drawing



Heavy-Duty Connector

● HA-016

Small Inserts 250V 16A

Product Picture	PartNumber	Dimension	Housing
<p>Screw Connection</p>	<p>HA-016-M</p> <p>HA-016-F</p>	<p>Maximum distance between connectors 24mm</p> <p>Pin Sequence</p> <p>Panel installation hole drawing</p>	<p>Match 16A housing/Hold</p>

Small Inserts 250V 16A 32+

Product Picture	PartNumber	Dimension	Housing
<p>Screw Connection</p>	<p>HA-016-M (1-16)</p> <p>HA-016-M (17-32)</p> <p>HA-016-F (1-16)</p> <p>HA-016-F (17-32)</p>	<p>Maximum distance between connectors 24mm</p> <p>Pin Sequence</p> <p>Panel installation hole drawing</p>	<p>Match 32A housing/Hold</p>



Heavy-Duty Connector



HE Series

Technical Characteristics

standard

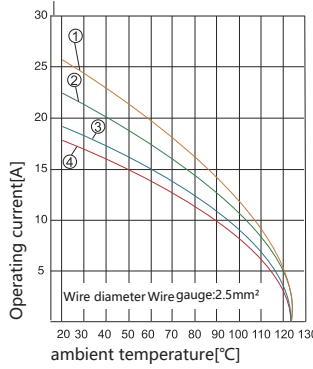
DIN EN 60 664
DIN EN 61 984

Insert

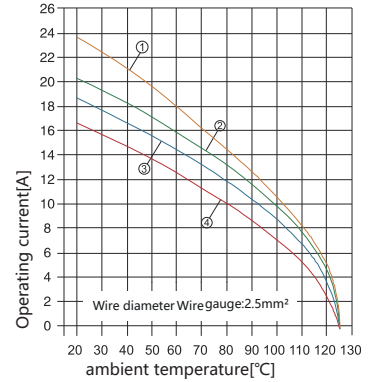
※Number of connector pins	6,10,16,24,32(2×16),48(2×24)+PE
※Rated current	16A
※See the right figure for current load capacity	
※Rated voltage	500V
※Rated impulse voltage	6KV
※class of pollution	3
※Parameters at pollution level 2	16A 400/690V 6KV 2
※According to UL/CSA rated voltage	600V
※insulation resistance	≥10 ⁹ Ω
※Material Science	polycarbonate Polycarbonate
※Operating temperature range	-40°C~+125°C
※Flame retardant grade	V0
※Pluggable times	≥500

Current Load Capacity

The limitation of current load capacity mainly comes from the test and control process of the maximum temperature that the connector including the contact pin can withstand according to DIN EN 605 12-5



- ①HE-006-M/F
- ②HE-010-M/F
- ③HE-016-M/F
- ④HE-024-M/F



- ①HE-006-MS/FS
- ②HE-010-MS/FS
- ③HE-016-MS/FS
- ④HE-024-MS/FS

Crimping Pins

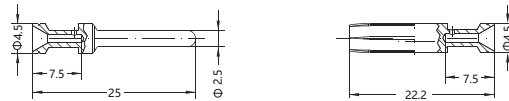
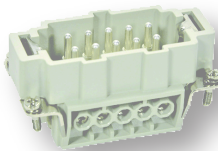


plate with silver

Cross section		Strip length	Female	Male
014-0.37mm ²	AWG 26-22	7.5mm	CESF-0.37	CESM-0.37
0.5mm ²	AWG 20	7.5mm	CESF-0.5	CESM-0.5
0.75mm ²	AWG 18	7.5mm	CESF-0.75	CESM-0.75
1.0mm ²	AWG 18	7.5mm	CESF-1.0	CESM-1.0
1.5mm ²	AWG 16	7.5mm	CESF-1.5	CESM-1.5
2.5mm ²	AWG 14	7.5mm	CESF-2.5	CESM-2.5
3.0mm ²	AWG 12	7.5mm	CESF-3.0	CESM-3.0
4.0mm ²	AWG 12	7.5mm	CESF-4.0	CESM-4.0

gold-plated

Cross section		Strip length	Female	Male
014-0.37mm ²	AWG 26-22	7.5mm	CEGF-0.37	CEGM-0.37
0.5mm ²	AWG 20	7.5mm	CEGF-0.5	CEGM-0.5
0.75mm ²	AWG 18	7.5mm	CEGF-0.75	CEGM-0.75
1.0mm ²	AWG 18	7.5mm	CEGF-1.0	CEGM-1.0
1.5mm ²	AWG 16	7.5mm	CEGF-1.5	CEGM-1.5
2.5mm ²	AWG 14	7.5mm	CEGF-2.5	CEGM-2.5
3.0mm ²	AWG 12	7.5mm	CEGF-3.0	CEGM-3.0
4.0mm ²	AWG 12	7.5mm	CEGF-4.0	CEGM-4.0



Heavy-Duty Connector

● HE-006/010

Commen Inserts



Product Picture	PartNumber	Dimension																																																						
<p>Screw Connection Match 6B Housing/Hold</p>	<p>HE-006-M</p> <p>HE-006-F</p>	<p>The maximum distance between connectors is 21mm</p> <table border="1"> <thead> <tr> <th></th> <th>a</th> <th>b</th> <th>e</th> <th>g</th> <th>c</th> <th>ti</th> <th>f</th> <th>m</th> </tr> </thead> <tbody> <tr> <td>M/F</td> <td>16</td> <td>32.4</td> <td>51</td> <td>34</td> <td>16.8</td> <td>34.5</td> <td>50.5</td> <td>34</td> </tr> <tr> <td>MC/FC</td> <td>18</td> <td>33</td> <td>51</td> <td>34</td> <td>18</td> <td>35</td> <td>50.5</td> <td>34</td> </tr> <tr> <td>MS/FS</td> <td>18</td> <td>33.3</td> <td>51</td> <td>34</td> <td>18.2</td> <td>35.4</td> <td>50.5</td> <td>34</td> </tr> <tr> <td>MSS/FSS</td> <td>34.5</td> <td>49.5</td> <td>50</td> <td>34</td> <td>33.4</td> <td>50</td> <td>50</td> <td>34</td> </tr> <tr> <td>MZ/FZ</td> <td>17.4</td> <td>32.5</td> <td>51</td> <td>33.8</td> <td>17.2</td> <td>34.5</td> <td>51</td> <td>33.8</td> </tr> </tbody> </table> <p>Pin Sequence</p> <p>Panel installation hole drawing</p>		a	b	e	g	c	ti	f	m	M/F	16	32.4	51	34	16.8	34.5	50.5	34	MC/FC	18	33	51	34	18	35	50.5	34	MS/FS	18	33.3	51	34	18.2	35.4	50.5	34	MSS/FSS	34.5	49.5	50	34	33.4	50	50	34	MZ/FZ	17.4	32.5	51	33.8	17.2	34.5	51	33.8
	a		b	e	g	c	ti	f	m																																															
M/F	16		32.4	51	34	16.8	34.5	50.5	34																																															
MC/FC	18		33	51	34	18	35	50.5	34																																															
MS/FS	18	33.3	51	34	18.2	35.4	50.5	34																																																
MSS/FSS	34.5	49.5	50	34	33.4	50	50	34																																																
MZ/FZ	17.4	32.5	51	33.8	17.2	34.5	51	33.8																																																
<p>Spring Connection Match 6B Housing/Hold</p>	<p>HE-006-MS</p> <p>HE-006-FS</p>																																																							

Commen Inserts 500V 16A 10+



Product Picture	PartNumber	Dimension																																																						
<p>Screw Connection Match10B Housing/Hold</p>	<p>HE-010-M</p> <p>HE-010-F</p>	<p>The maximum distance between connectors is 21mm</p> <table border="1"> <thead> <tr> <th></th> <th>a</th> <th>b</th> <th>e</th> <th>g</th> <th>c</th> <th>d</th> <th>f</th> <th>m</th> </tr> </thead> <tbody> <tr> <td>M/F</td> <td>16.5</td> <td>32</td> <td>64.5</td> <td>34</td> <td>16.8</td> <td>34.2</td> <td>64</td> <td>34</td> </tr> <tr> <td>MC/FC</td> <td>18</td> <td>33</td> <td>64</td> <td>34</td> <td>17.5</td> <td>35.2</td> <td>64</td> <td>34</td> </tr> <tr> <td>MS/FS</td> <td>18.5</td> <td>33.5</td> <td>64</td> <td>34</td> <td>18.5</td> <td>35.6</td> <td>64</td> <td>34</td> </tr> <tr> <td>MSS/FSS</td> <td>34</td> <td>49</td> <td>64</td> <td>34</td> <td>33.5</td> <td>49.5</td> <td>63</td> <td>34</td> </tr> <tr> <td>MZ/FZ</td> <td>17.4</td> <td>32.5</td> <td>64</td> <td>33.8</td> <td>17.2</td> <td>34.5</td> <td>64</td> <td>33.8</td> </tr> </tbody> </table> <p>Pin Sequence</p> <p>Panel installation hole drawing</p>		a	b	e	g	c	d	f	m	M/F	16.5	32	64.5	34	16.8	34.2	64	34	MC/FC	18	33	64	34	17.5	35.2	64	34	MS/FS	18.5	33.5	64	34	18.5	35.6	64	34	MSS/FSS	34	49	64	34	33.5	49.5	63	34	MZ/FZ	17.4	32.5	64	33.8	17.2	34.5	64	33.8
	a		b	e	g	c	d	f	m																																															
M/F	16.5		32	64.5	34	16.8	34.2	64	34																																															
MC/FC	18		33	64	34	17.5	35.2	64	34																																															
MS/FS	18.5	33.5	64	34	18.5	35.6	64	34																																																
MSS/FSS	34	49	64	34	33.5	49.5	63	34																																																
MZ/FZ	17.4	32.5	64	33.8	17.2	34.5	64	33.8																																																
<p>Spring Connection Match10B Housing/Hold</p>	<p>HE-010-MS</p> <p>HE-010-FS</p>																																																							



Communicate Now

Heavy-Duty Connector



HE-016/024

Commen Inserts 500V

Product Picture	PartNumber	Dimension																																																						
<p>Screw Connection</p> <p>Match 16B Housing/Hold</p>	<p>HE-016-M</p> <p>HE-016-F</p>	<p>The maximum distance between connectors is 21mm</p> <table border="1"> <thead> <tr> <th></th> <th>a</th> <th>b</th> <th>e</th> <th>g</th> <th>c</th> <th>d</th> <th>f</th> <th>m</th> </tr> </thead> <tbody> <tr> <td>M/F</td> <td>17</td> <td>32.5</td> <td>84.2</td> <td>34</td> <td>17</td> <td>34.5</td> <td>84.2</td> <td>33.5</td> </tr> <tr> <td>MC/FC</td> <td>18</td> <td>33.5</td> <td>84.5</td> <td>34</td> <td>18</td> <td>35</td> <td>84.5</td> <td>34</td> </tr> <tr> <td>MS/FS</td> <td>18</td> <td>33.7</td> <td>84.5</td> <td>34</td> <td>18.2</td> <td>35.5</td> <td>84.5</td> <td>34</td> </tr> <tr> <td>MSS/FSS</td> <td>34.3</td> <td>49</td> <td>84.5</td> <td>34</td> <td>32.2</td> <td>49</td> <td>84.5</td> <td>34</td> </tr> <tr> <td>MZ/FZ</td> <td>17.4</td> <td>32.5</td> <td>84.5</td> <td>33.8</td> <td>17.2</td> <td>34.5</td> <td>84.5</td> <td>33.8</td> </tr> </tbody> </table>		a	b	e	g	c	d	f	m	M/F	17	32.5	84.2	34	17	34.5	84.2	33.5	MC/FC	18	33.5	84.5	34	18	35	84.5	34	MS/FS	18	33.7	84.5	34	18.2	35.5	84.5	34	MSS/FSS	34.3	49	84.5	34	32.2	49	84.5	34	MZ/FZ	17.4	32.5	84.5	33.8	17.2	34.5	84.5	33.8
	a	b	e	g	c	d	f	m																																																
M/F	17	32.5	84.2	34	17	34.5	84.2	33.5																																																
MC/FC	18	33.5	84.5	34	18	35	84.5	34																																																
MS/FS	18	33.7	84.5	34	18.2	35.5	84.5	34																																																
MSS/FSS	34.3	49	84.5	34	32.2	49	84.5	34																																																
MZ/FZ	17.4	32.5	84.5	33.8	17.2	34.5	84.5	33.8																																																
<p>Spring Connection</p> <p>Match 16B Housing/Hold</p>	<p>HE-016-MS</p> <p>HE-016-FS</p>	<p>Pin Sequence</p> <p>Panel installation hole drawing</p>																																																						

Commen Inserts 500V 16A 24+

Product Picture	PartNumber	Dimension																																																						
<p>Screw Connection</p> <p>Match 24B Housing/Hold</p>	<p>HE-024-M</p> <p>HE-024-F</p>	<p>The maximum distance between connectors is 21mm</p> <table border="1"> <thead> <tr> <th></th> <th>a</th> <th>b</th> <th>e</th> <th>g</th> <th>c</th> <th>d</th> <th>f</th> <th>m</th> </tr> </thead> <tbody> <tr> <td>M/F</td> <td>17</td> <td>32.5</td> <td>111</td> <td>33.5</td> <td>17</td> <td>34.5</td> <td>111</td> <td>33.5</td> </tr> <tr> <td>MC/FC</td> <td>18.3</td> <td>33.5</td> <td>111</td> <td>34</td> <td>18.3</td> <td>35.5</td> <td>111</td> <td>34</td> </tr> <tr> <td>MS/FS</td> <td>18.5</td> <td>33.6</td> <td>111</td> <td>34</td> <td>18.5</td> <td>35.6</td> <td>111</td> <td>34</td> </tr> <tr> <td>MSS/FSS</td> <td>34</td> <td>49</td> <td>110</td> <td>34</td> <td>32</td> <td>49</td> <td>110</td> <td>34</td> </tr> <tr> <td>MZ/FZ</td> <td>17.4</td> <td>32.5</td> <td>111</td> <td>33.8</td> <td>17.2</td> <td>34.5</td> <td>111</td> <td>33.8</td> </tr> </tbody> </table>		a	b	e	g	c	d	f	m	M/F	17	32.5	111	33.5	17	34.5	111	33.5	MC/FC	18.3	33.5	111	34	18.3	35.5	111	34	MS/FS	18.5	33.6	111	34	18.5	35.6	111	34	MSS/FSS	34	49	110	34	32	49	110	34	MZ/FZ	17.4	32.5	111	33.8	17.2	34.5	111	33.8
	a	b	e	g	c	d	f	m																																																
M/F	17	32.5	111	33.5	17	34.5	111	33.5																																																
MC/FC	18.3	33.5	111	34	18.3	35.5	111	34																																																
MS/FS	18.5	33.6	111	34	18.5	35.6	111	34																																																
MSS/FSS	34	49	110	34	32	49	110	34																																																
MZ/FZ	17.4	32.5	111	33.8	17.2	34.5	111	33.8																																																
<p>Spring Connection</p> <p>Match 24B Housing/Hold</p>	<p>HE-024-MS</p> <p>HE-024-FS</p>	<p>Pin Sequence</p> <p>Panel installation hole drawing</p>																																																						



Communicate Now

Heavy-Duty Connector



● HE-032/048

Commen Inserts 500V

Product Picture	PartNumber	Dimension																																																						
<p>Screw Connection Match 16B Housing/Hold</p>	<p>HE-016-M (1-16) HE-016-M (17-32) HE-016-F (1-16) HE-016-F (17-32)</p>	<p>The maximum distance between connectors is 21mm</p> <table border="1"> <thead> <tr> <th></th> <th>a</th> <th>b</th> <th>e</th> <th>g</th> <th>c</th> <th>d</th> <th>f</th> <th>m</th> </tr> </thead> <tbody> <tr> <td>M/F</td> <td>17</td> <td>32.5</td> <td>84.2</td> <td>34</td> <td>17</td> <td>34.5</td> <td>84.2</td> <td>33.5</td> </tr> <tr> <td>MC/FC</td> <td>18</td> <td>33.5</td> <td>84.5</td> <td>34</td> <td>18</td> <td>35</td> <td>84.5</td> <td>34</td> </tr> <tr> <td>MS/FS</td> <td>18</td> <td>33.7</td> <td>84.5</td> <td>34</td> <td>18.2</td> <td>35.5</td> <td>84.5</td> <td>34</td> </tr> <tr> <td>MSS/FSS</td> <td>34.3</td> <td>49</td> <td>84.5</td> <td>34</td> <td>32.2</td> <td>49</td> <td>84.5</td> <td>34</td> </tr> <tr> <td>MZ/FZ</td> <td>17.4</td> <td>32.5</td> <td>84.5</td> <td>33.8</td> <td>17.2</td> <td>34.5</td> <td>84.5</td> <td>33.8</td> </tr> </tbody> </table> <p>Pin Sequence</p> <p>Panel installation hole drawing</p>		a	b	e	g	c	d	f	m	M/F	17	32.5	84.2	34	17	34.5	84.2	33.5	MC/FC	18	33.5	84.5	34	18	35	84.5	34	MS/FS	18	33.7	84.5	34	18.2	35.5	84.5	34	MSS/FSS	34.3	49	84.5	34	32.2	49	84.5	34	MZ/FZ	17.4	32.5	84.5	33.8	17.2	34.5	84.5	33.8
	a	b	e	g	c	d	f	m																																																
M/F	17	32.5	84.2	34	17	34.5	84.2	33.5																																																
MC/FC	18	33.5	84.5	34	18	35	84.5	34																																																
MS/FS	18	33.7	84.5	34	18.2	35.5	84.5	34																																																
MSS/FSS	34.3	49	84.5	34	32.2	49	84.5	34																																																
MZ/FZ	17.4	32.5	84.5	33.8	17.2	34.5	84.5	33.8																																																
<p>Spring Connection Match 16B Housing/Hold</p>	<p>HE-016-MS (1-16) HE-016-MS (17-32) HE-016-FS (1-16) HE-016-FS (17-32)</p>	<p>Pin Sequence</p> <p>Panel installation hole drawing</p>																																																						

Commen Inserts 500V 16A 48+

Product Picture	PartNumber	Dimension																																																						
<p>Screw Connection Match 24B Housing/Hold</p>	<p>HE-024-M (1-24) HE-024-M (25-48) HE-024-F (1-24) HE-024-F (25-48)</p>	<p>The maximum distance between connectors is 21mm</p> <table border="1"> <thead> <tr> <th></th> <th>a</th> <th>b</th> <th>e</th> <th>g</th> <th>c</th> <th>d</th> <th>f</th> <th>m</th> </tr> </thead> <tbody> <tr> <td>M/F</td> <td>17</td> <td>32.5</td> <td>111</td> <td>33.5</td> <td>17</td> <td>34.5</td> <td>111</td> <td>33.5</td> </tr> <tr> <td>MC/FC</td> <td>18.3</td> <td>33.5</td> <td>111</td> <td>34</td> <td>18.3</td> <td>35.5</td> <td>111</td> <td>34</td> </tr> <tr> <td>MS/FS</td> <td>18.5</td> <td>33.6</td> <td>111</td> <td>34</td> <td>18.5</td> <td>35.6</td> <td>111</td> <td>34</td> </tr> <tr> <td>MSS/FSS</td> <td>34</td> <td>49</td> <td>110</td> <td>34</td> <td>32</td> <td>49</td> <td>110</td> <td>34</td> </tr> <tr> <td>MZ/FZ</td> <td>17.4</td> <td>32.5</td> <td>111</td> <td>33.8</td> <td>17.2</td> <td>34.5</td> <td>111</td> <td>33.8</td> </tr> </tbody> </table> <p>Pin Sequence</p> <p>Panel installation hole drawing</p>		a	b	e	g	c	d	f	m	M/F	17	32.5	111	33.5	17	34.5	111	33.5	MC/FC	18.3	33.5	111	34	18.3	35.5	111	34	MS/FS	18.5	33.6	111	34	18.5	35.6	111	34	MSS/FSS	34	49	110	34	32	49	110	34	MZ/FZ	17.4	32.5	111	33.8	17.2	34.5	111	33.8
	a	b	e	g	c	d	f	m																																																
M/F	17	32.5	111	33.5	17	34.5	111	33.5																																																
MC/FC	18.3	33.5	111	34	18.3	35.5	111	34																																																
MS/FS	18.5	33.6	111	34	18.5	35.6	111	34																																																
MSS/FSS	34	49	110	34	32	49	110	34																																																
MZ/FZ	17.4	32.5	111	33.8	17.2	34.5	111	33.8																																																
<p>Spring Connection Match 24B Housing/Hold</p>	<p>HE-024-MS (1-24) HE-024-MS (25-48) HE-024-FS (1-24) HE-024-FS (25-48)</p>	<p>Pin Sequence</p> <p>Panel installation hole drawing</p>																																																						



Data ,CAD,3D document please refer to: WWW.VELLEDQ.COM

Heavy-Duty Connector



HEE Series

Technical Characteristics

standard

DIN EN 60 664
DIN EN 61 984

Insert

※Number of connector pins	10,18,32,46,40,64(2×32),92(2×46)+PE
※Rated current	16A
※See the right figure for current load capacity	
※Rated voltage	500V
※Rated impulse voltage	6KV
※class of pollution	3
※Parameters at pollution level 2	16A 830V 8KV 2
※According to UL/CSA rated voltage	600V
※insulation resistance	≥10 ¹⁰ Ω
※Material Science	polycarbonate Polycarbonate
※Operating temperature range	-40°C~+125°C
※Flame retardant grade	V0
※Pluggable times	≥500

Pin

※Material Science	copper alloy
※surface treatment	gold-plated plate with silver
※contact resistance	≤1mΩ
※Wiring form	Crimping connecton
※Crimping connecton	
Cross Section	0.14-4.0mm ²
AWG	26-12
Strip length	7.5mm

16A Crimping Pins



plate with silver

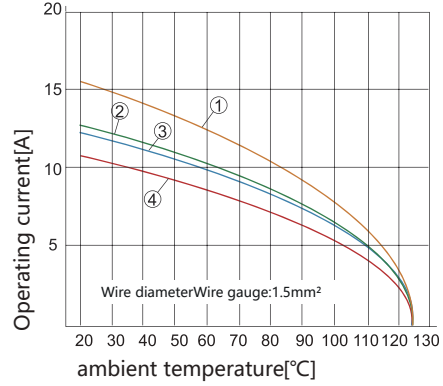
Cross section		Strip length	Female	Male
014-0.37mm ²	AWG 26-22	7.5mm	CESF-0.37	CESM-0.37
0.5mm ²	AWG 20	7.5mm	CESF-0.5	CESM-0.5
0.75mm ²	AWG 18	7.5mm	CESF-0.75	CESM-0.75
1.0mm ²	AWG 18	7.5mm	CESF-1.0	CESM-1.0
1.5mm ²	AWG 16	7.5mm	CESF-1.5	CESM-1.5
2.5mm ²	AWG 14	7.5mm	CESF-2.5	CESM-2.5
3.0mm ²	AWG 12	7.5mm	CESF-3.0	CESM-3.0
4.0mm ²	AWG 12	7.5mm	CESF-4.0	CESM-4.0

gold-plated

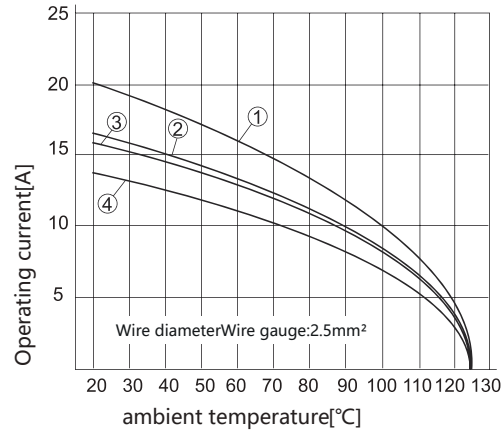
Cross section		Strip length	Female	Male
014-0.37mm ²	AWG 26-22	7.5mm	CEGF-0.37	CEGM-0.37
0.5mm ²	AWG 20	7.5mm	CEGF-0.5	CEGM-0.5
0.75mm ²	AWG 18	7.5mm	CEGF-0.75	CEGM-0.75
1.0mm ²	AWG 18	7.5mm	CEGF-1.0	CEGM-1.0
1.5mm ²	AWG 16	7.5mm	CEGF-1.5	CEGM-1.5
2.5mm ²	AWG 14	7.5mm	CEGF-2.5	CEGM-2.5
3.0mm ²	AWG 12	7.5mm	CEGF-3.0	CEGM-3.0
4.0mm ²	AWG 12	7.5mm	CEGF-4.0	CEGM-4.0

Current Load Capacity

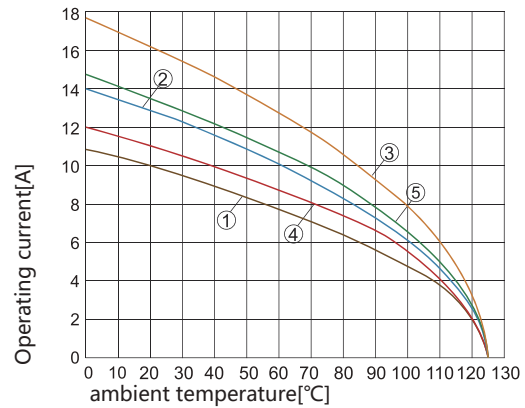
The limitation of current load capacity mainly comes from the test and control process of the maximum temperature that the connector including the contact pin can withstand according to DIN EN 605 12-5



- ①HEE-010
- ②HEE-018
- ③HEE-032
- ④HEE-046



- ①HEE-010
- ②HEE-018
- ③HEE-032
- ④HEE-046



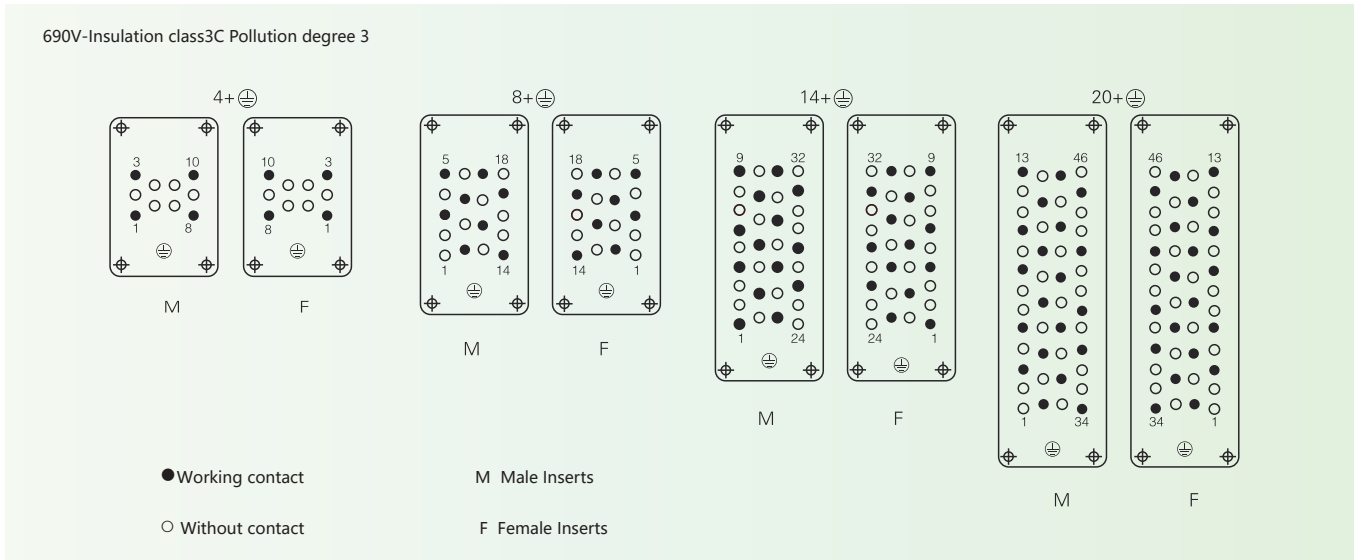
- ①HEE-064/1.5mm²
- ②HEE-064/2.5mm²
- ③HEE-064/4.0mm²
- ④HEE-040/1.5mm²
- ⑤HEE-040/1.5mm²



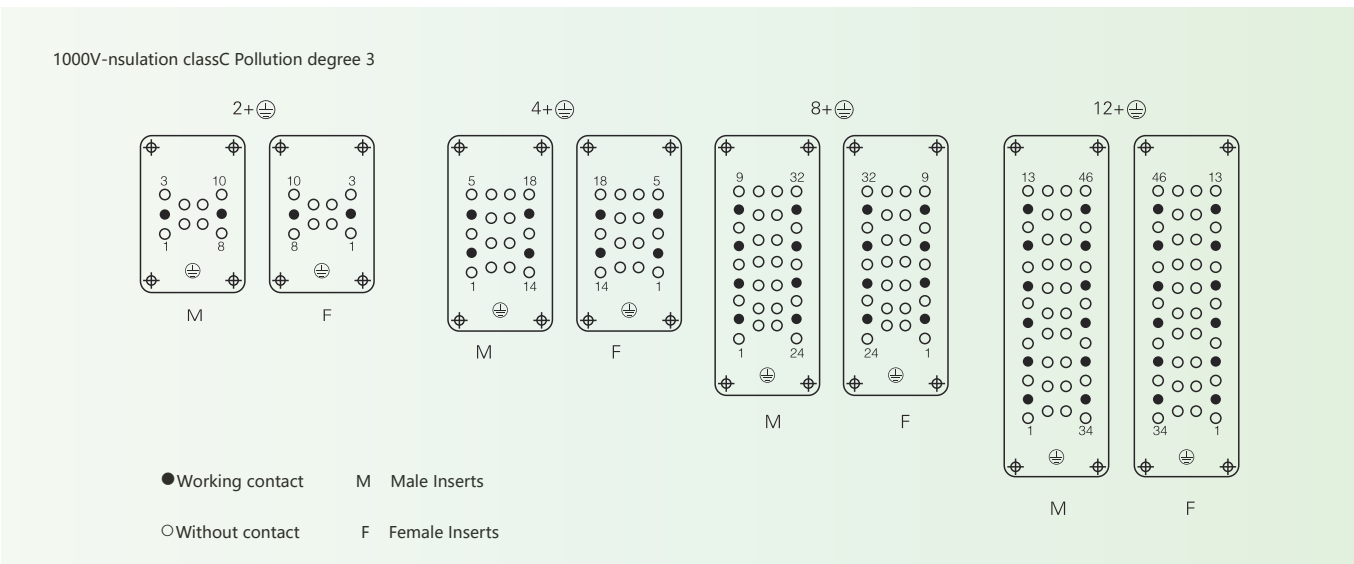
Heavy-Duty Connector

When HEE connector is full of pins, its working voltage can reach 500V when insulation grade is 3 (C). However, the pin distribution has been adjusted, Similarly, when the insulation grade is 3 (C), the allowable working voltage can reach 1000V.

Pin Distribution Diagram After Adjustment-690V



Pin Distribution Diagram After Adjustment-1000V



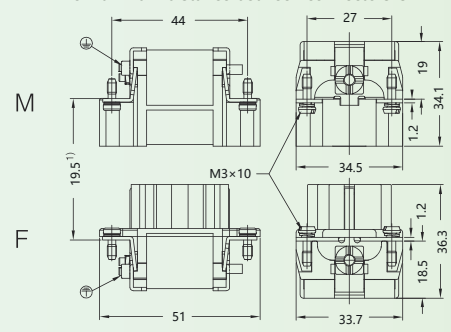
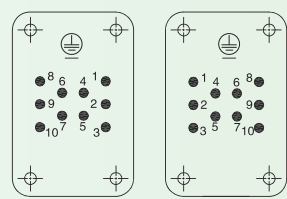
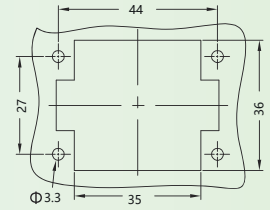


Heavy-Duty Connector



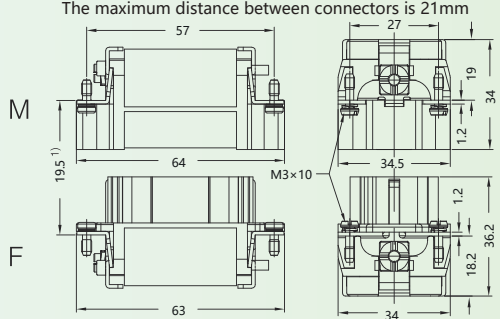
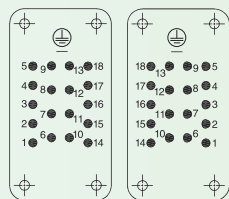
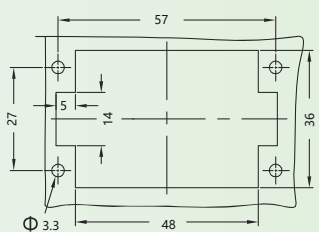


● HEE-010/018

High Density Inserts 500V

Product Picture	PartNumber	Dimension
<p>Crimping Inserts</p> <p>Match 6B Housing/Hold</p>  	<p>HEE-010-MC</p> <p>HEE-010-FC</p>	<p>The maximum distance between connectors is 21mm</p>  <p>Pin Sequence</p>  <p>Panel installation hole drawing</p> 

High Density Inserts 500V 16A 18+

Product Picture	PartNumber	Dimension
<p>Crimping Inserts</p> <p>Match 10B Housing/Hold</p>  	<p>HEE-018-MC</p> <p>HEE-018-FC</p>	<p>The maximum distance between connectors is 21mm</p>  <p>Pin Sequence</p>  <p>Panel installation hole drawing</p> 



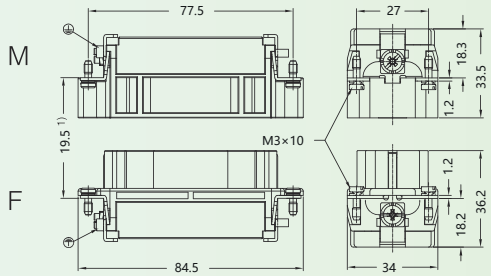
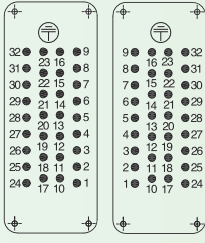
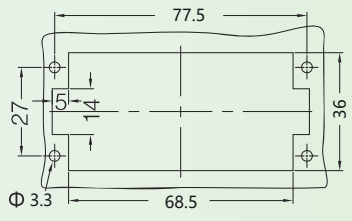


Heavy-Duty Connector



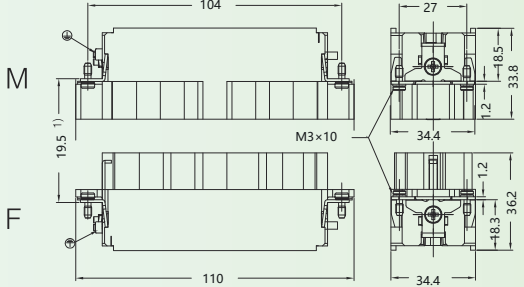
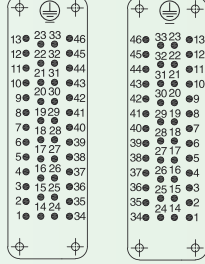
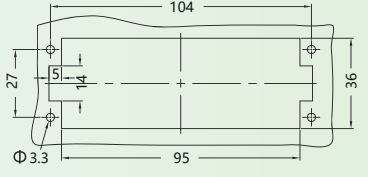


● HEE-032/046

High Density Inserts 500V

Product Picture	PartNumber	Dimension
<p>Crimping Inserts Match 16B Housing/Hold</p>  	<p>HEE-032-MC</p> <p>HEE-032-FC</p>	<p>The maximum distance between connectors is 21mm</p>  <p>Pin Sequence</p>  <p>Panel installation hole drawing</p> 

High Density Inserts 500V 16A 46+

Product Picture	PartNumber	Dimension
<p>Crimping Inserts Match 24B Housing/Hold</p>  	<p>HEE-046-MC</p> <p>HEE-046-FC</p>	<p>The maximum distance between connectors is 21mm</p>  <p>Pin Sequence</p>  <p>Panel installation hole drawing</p> 



Data ,CAD,3D document please refer to: WWW.VELLEDQ.COM

Heavy-Duty Connector



● HEE-064/092

High Density Insertst 500V \oplus

Product Picture	PartNumber	Dimension
<p>Crimping Inserts</p> <p>Match 32B Housing/Hold</p>	<p>HEE-032-MC (1-32)</p> <p>HEE-032-MC (33-64)</p> <p>HEE-032-FC (1-32)</p> <p>HEE-032-FC (33-64)</p>	<p>The maximum distance between connectors is 21mm</p> <p>Pin Sequence</p> <p>Panel installation hole drawing</p>

High Density Insertst500V 16A 64+ \oplus

Product Picture	PartNumber	Dimension																											
<p>Crimping Inserts</p> <p>Match 24B/48 Housing/Hold</p>	<p>HEE-046-MC (1-46)</p> <p>HEE-046-MC (47-92)</p> <p>HEE-046-FC (1-46)</p> <p>HEE-046-FC (47-92)</p>	<p>The maximum distance between connectors is 21mm</p> <table border="1"> <thead> <tr> <th></th> <th>a</th> <th>b</th> <th>e</th> <th>g</th> <th>c</th> <th>d</th> <th>f</th> <th>m</th> </tr> </thead> <tbody> <tr> <td>M/F</td> <td>18.5</td> <td>33.8</td> <td>110.5</td> <td>34.4</td> <td>18.3</td> <td>36.2</td> <td>110</td> <td>34.4</td> </tr> <tr> <td>MC/FC</td> <td>18.3</td> <td>33.8</td> <td>110</td> <td>34.4</td> <td>18.2</td> <td>36.2</td> <td>110</td> <td>34.4</td> </tr> </tbody> </table> <p>Pin Sequence</p> <p>Panel installation hole drawing</p>		a	b	e	g	c	d	f	m	M/F	18.5	33.8	110.5	34.4	18.3	36.2	110	34.4	MC/FC	18.3	33.8	110	34.4	18.2	36.2	110	34.4
	a	b	e	g	c	d	f	m																					
M/F	18.5	33.8	110.5	34.4	18.3	36.2	110	34.4																					
MC/FC	18.3	33.8	110	34.4	18.2	36.2	110	34.4																					



Heavy-Duty Connector

● HEEE-040/064

High Density Insertst 500V

Product Picture	PartNumber	Dimension
<p>Crimping Inserts</p> <p>Match 16B Housing/Hold</p>	<p>HEEE-040-MC</p> <p>HEEE-040-FC</p>	<p>The maximum distance between connectors is 21mm</p> <p>Pin Sequence</p> <p>Panel installation hole drawing</p>

Cross section Strip length Female Male

High Density Insertst 500V 16A 40+

Product Picture	PartNumber	Dimension
<p>Crimping Inserts</p> <p>Match 24B Housing/Hold</p>	<p>HEEE-064-MC</p> <p>HEEE-064-FC</p>	<p>The maximum distance between connectors is 21mm</p> <p>Pin Sequence</p> <p>Panel installation hole drawing</p>



Data ,CAD,3D document please refer to: WWW.VELLEDQ.COM

Heavy-Duty Connector



HD Series

Technical Characteristics

standard

DIN EN 60 664
DIN EN 61 984

Insert

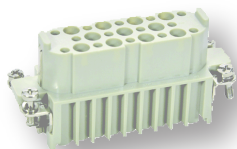
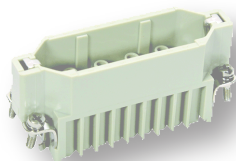
- ※Number of connector pins 7,8,15,25,40,50(25×2),
64,80(40×2),128(64×2)+PE
- ※Rated current 10A
- ※Rated voltage 250V
- ※See the right figure for current load capacity
- ※Rated impulse voltage 4KV
- ※Pollution degree 3
- ※Parameters at pollution level 2 10A 230/400V 4KV 2
- ※According to UL/CSA rated voltage 600V
- ※Rated voltage according to CSA winding connection 2A 30V
- ※insulation resistance $\geq 10^{10} \Omega$
- ※Material Science polycarbonate Polycarbonate
- ※Operating temperature range -40°C ~ +125°C
- ※According to UL94 flame retardant grade V0
- Pluggable times ≥ 500

Electrical data of HD-008

- ※Rated current 10A
- ※Rated voltage ~50V/-120V
- ※Rated impulse voltage 4KV
- ※Pollution degree 3
- ※According to UL/CSA rated voltage 50V
- ※Rated voltage (DC voltage) 120V

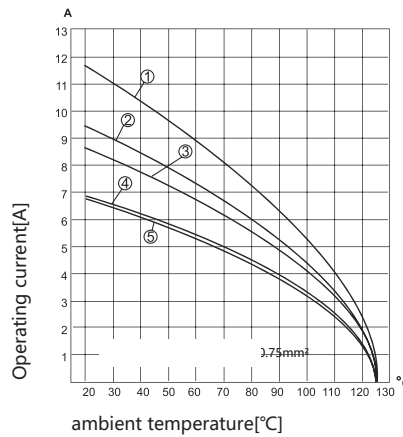
Pin

- ※Material Science Cross Section gold-plated plate with silver
- ※surface treatment $\leq 3m\Omega$
- ※contact resistance Crimping connecton
- ※Wiring form Cross Section 0.14-2.5mm²
- ※Crimping connecton AWG 26-14



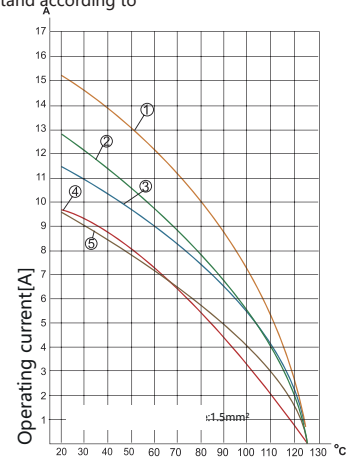
Current Load Capacity

The limitation of current load capacity mainly comes from the test and control process of the maximum temperature that the connector including the contact pin can withstand according to DIN EN 605 12-5



ambient temperature[°C]

- ①HD-007
- ②HD-015
- ③HD-025
- ④HD-040
- ⑤HD-064



ambient temperature[°C]

- ①HD-007
- ②HD-015
- ③HD-025
- ④HD-040
- ⑤HD-064

10A Crimping Pins

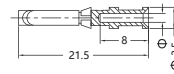
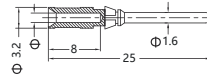


plate with silver

Cross section		Strip length	Φ	Female	Male
014-0.37mm ²	AWG 26-22	8mm	0.9	CDSF-0.37	CDSM-0.37
0.5mm ²	AWG 20	8mm	1.1	CDSF-0.5	CDSM-0.5
0.75mm ²	AWG 18	8mm	1.3	CDSF-0.75	CDSM-0.75
1.0mm ²	AWG 18	8mm	1.45	CDSF-1.0	CDSM-1.0
1.5mm ²	AWG 16	8mm	1.75	CDSF-1.5	CDSM-1.5
2.5mm ²	AWG 14	8mm	2.25	CDSF-2.5	CDSM-2.5

gold-plated

Cross section		Strip length	Φ	Female	Male
014-0.37mm ²	AWG 26-22	8mm	0.9	CDGF-0.37	CDGM-0.37
0.5mm ²	AWG 20	8mm	1.1	CDGF-0.5	CDGM-0.5
0.75mm ²	AWG 18	8mm	1.3	CDGF-0.75	CDGM-0.75
1.0mm ²	AWG 18	8mm	1.45	CDGF-1.0	CDGM-1.0
1.5mm ²	AWG 16	8mm	1.75	CDGF-1.5	CDGM-1.5
2.5mm ²	AWG 14	8mm	2.25	CDGF-2.5	CDGM-2.5

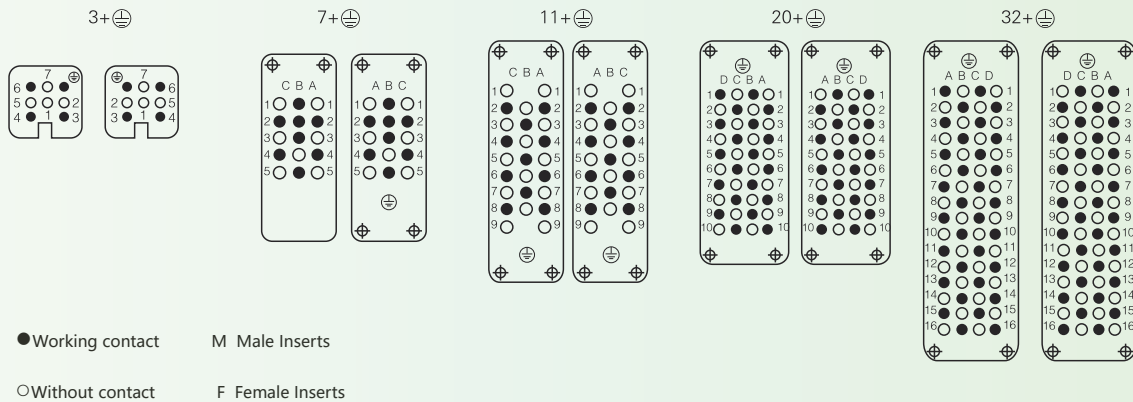


Heavy-Duty Connector

When the HD connector is full of pins, its working voltage can reach 250V when the insulation grade is 3 (C). However, the pin distribution has been adjusted, Similarly, when the insulation grade is 3 (C), the allowable working voltage can reach 500V.

Pin Distribution Diagram After Adjustment


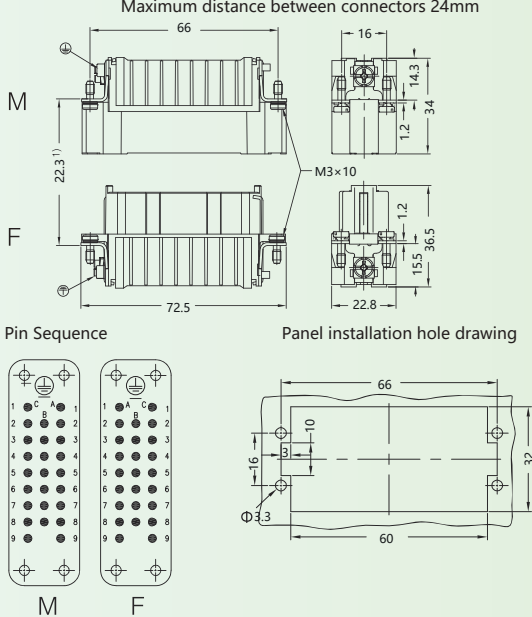
10A 500V 6KV 3




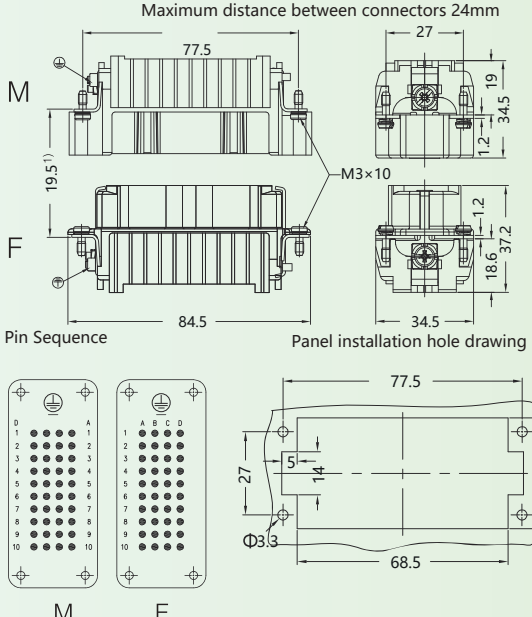
Heavy-Duty Connector

● HD-025/040

Ultra High Density Insertst250V

Product Picture	PartNumber	Dimension
<p>Crimping Inserts</p>  <p>Match 16A housing/hold</p>	<p>HD-025-MC</p> <p>HD-025-FC</p>	<p>Maximum distance between connectors 24mm</p>  <p>Pin Sequence</p> <p>Panel installation hole drawing</p>

Ultra High Density Insertst250V 10A 40+

Product Picture	PartNumber	Dimension
<p>Crimping Inserts</p>  <p>Match 16B housing/hold</p>	<p>HD-040-MC</p> <p>HD-040-FC</p>	<p>Maximum distance between connectors 24mm</p>  <p>Pin Sequence</p> <p>Panel installation hole drawing</p>



Communicate Now

Data ,CAD,3D document please refer to: WWW.VELLEDQ.COM

Heavy-Duty Connector

● HD-050/064

Ultra High Density Insertst250V

Product Picture	PartNumber	Dimension
<p>Crimping Inserts</p> <p>Match 32A housing/hold</p>	<p>HD-025-MC (1-25)</p> <p>HD-025-MC (26-50)</p> <p>HD-025-FC (1-25)</p> <p>HD-025-FC (26-50)</p>	<p>Maximum distance between connectors 24mm</p> <p>Pin Sequence</p> <p>Panel installation hole drawing</p>

Ultra High Density Insertst250V 10A 64+


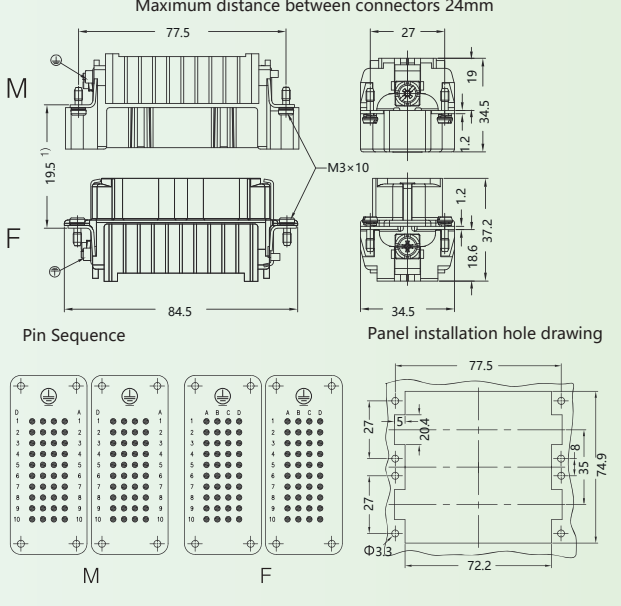
Product Picture	PartNumber	Dimension
<p>Crimping Inserts</p> <p>Match 24B housing/hold</p>	<p>HD-064-MC</p> <p>HD-064-FC</p>	<p>Maximum distance between connectors 24mm</p> <p>Pin Sequence</p> <p>Panel installation hole drawing</p>




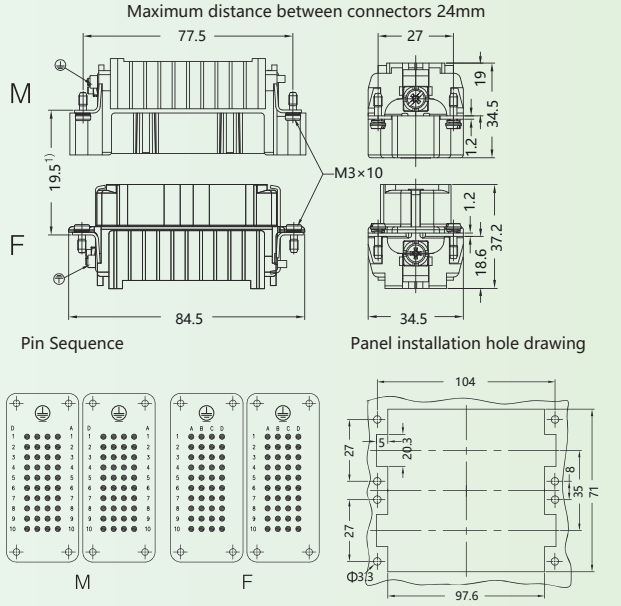
Heavy-Duty Connector

● HD-080/128

Ultra High Density Insertst250V

Product Picture	PartNumber	Dimension
<p>Crimping Inserts</p>  <p>Match 32B housing/hold</p>	<p>HD-040-MC (1-40)</p> <p>HD-040-MC (41-80)</p> <p>HD-040-FC (1-40)</p> <p>HD-040-FC (41-80)</p>	<p>Maximum distance between connectors 24mm</p>  <p>Pin Sequence</p> <p>Panel installation hole drawing</p>

Ultra High Density Insertst250V 10A 128+

Product Picture	PartNumber	Dimension
<p>Crimping Inserts</p>  <p>Match 48B housing/hold</p>	<p>HD-064-MC (1-64)</p> <p>HD-064-MC (65-128)</p> <p>HD-064-FC (1-64)</p> <p>HD-064-FC (65-128)</p>	<p>Maximum distance between connectors 24mm</p>  <p>Pin Sequence</p> <p>Panel installation hole drawing</p>



Communicate Now

Data ,CAD,3D document please refer to: WWW.VELLEDQ.COM

Heavy-Duty Connector

HDD Series

Technical Characteristics

standard

DIN EN 60 664
DIN EN 61 984

Insert

- ※Number of connector pins 24,42,72,108,144(72×2),216(108×2)+PE
- ※Rated current 16A
- ※See the right figure for current load capacity
- ※Rated voltage 250V
- ※Rated impulse voltage 4KV
- ※class of pollution 3
- ※Parameters at pollution level 2 10A 230V/400V 4KV 2
- ※According to UL/CSA rated voltage 600V
- ※insulation resistance $\geq 10^{10}\Omega$
- ※Material Science Polycarbonate
- ※Operating temperature range $-40^{\circ}\text{C}\sim +125^{\circ}\text{C}$
- ※Flame retardant grade V0
- ※Pluggable times ≥ 500

Pin

- ※Material Science copper alloy
- ※surface treatment gold-plated plate with silver
- ※contact resistance $\leq 3\text{m}\Omega$
- ※Wiring form Crimping connecton
- ※Crimping connecton
- Cross Section 0.14-2.5mm²
- AWG 26-14

10A Crimping Pins



plate with silver

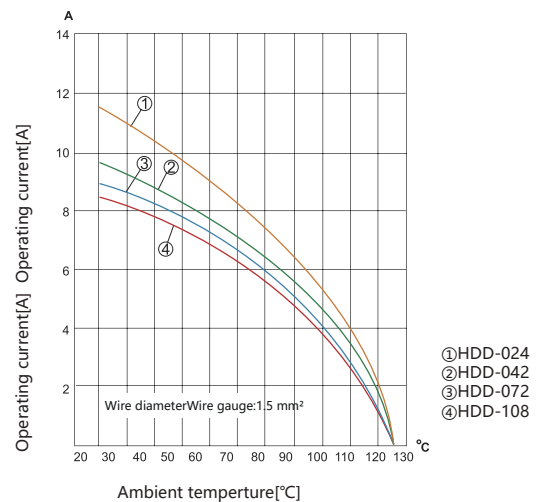
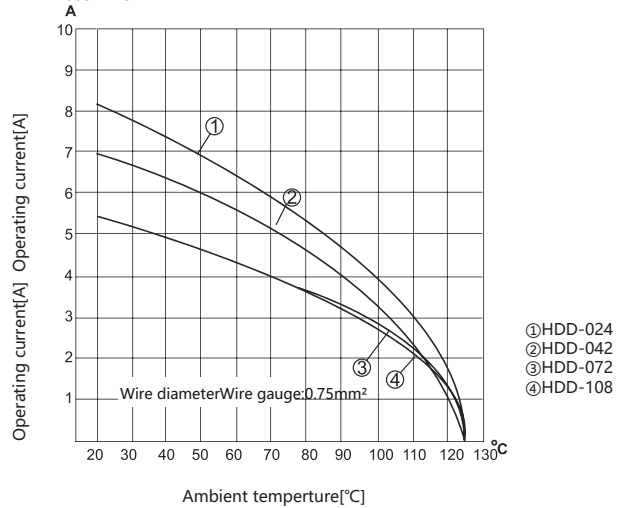
Cross section	Strip length	Φ	Female	Male	
014-0.37mm ²	AWG 26-22	8mm	0.9	CDSF-0.37	CDSM-0.37
0.5mm ²	AWG 20	8mm	1.1	CDSF-0.5	CDSM-0.5
0.75mm ²	AWG 18	8mm	1.3	CDSF-0.75	CDSM-0.75
1.0mm ²	AWG 18	8mm	1.45	CDSF-1.0	CDSM-1.0
1.5mm ²	AWG 16	8mm	1.75	CDSF-1.5	CDSM-1.5
2.5mm ²	AWG 14	8mm	2.25	CDSF-2.5	CDSM-2.5

gold-plated

Cross section	Strip length	Φ	Female	Male	
014-0.37mm ²	AWG 26-22	8mm	0.9	CDGF-0.37	CDGM-0.37
0.5mm ²	AWG 20	8mm	1.1	CDGF-0.5	CDGM-0.5
0.75mm ²	AWG 18	8mm	1.3	CDGF-0.75	CDGM-0.75
1.0mm ²	AWG 18	8mm	1.45	CDGF-1.0	CDGM-1.0
1.5mm ²	AWG 16	8mm	1.75	CDGF-1.5	CDGM-1.5
2.5mm ²	AWG 14	8mm	2.25	CDGF-2.5	CDGM-2.5

Current Load Capacity

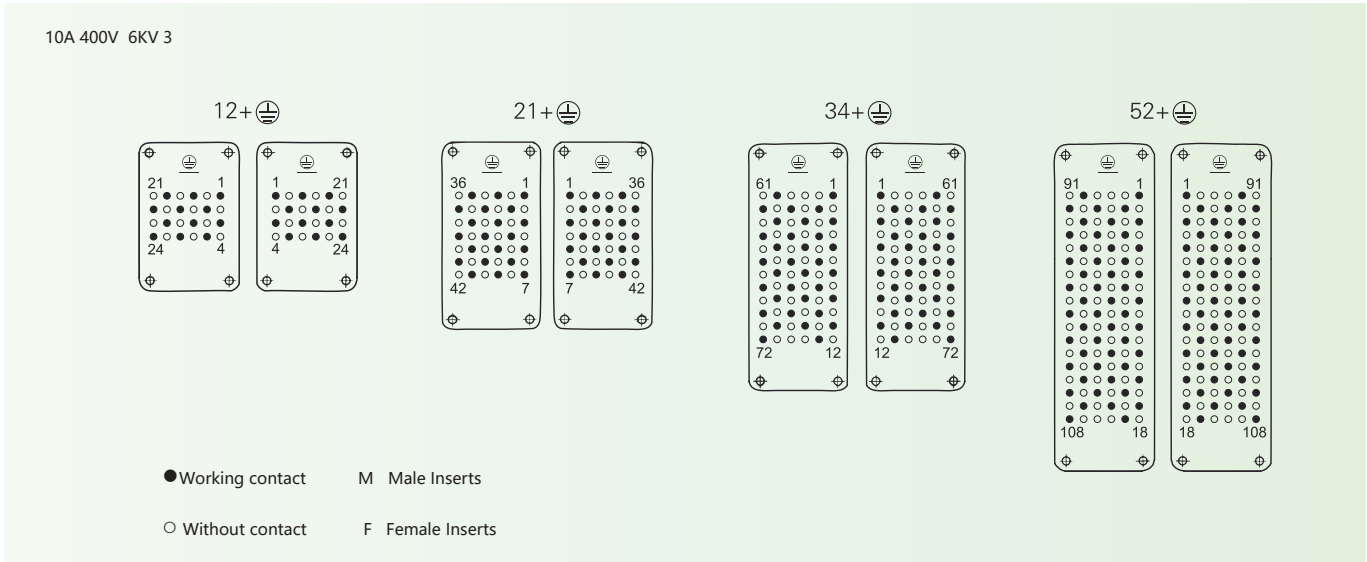
The limitation of current load capacity mainly comes from the test and control process of the maximum temperature that the connector including the contact pin can withstand according to DIN EN 605 12-5



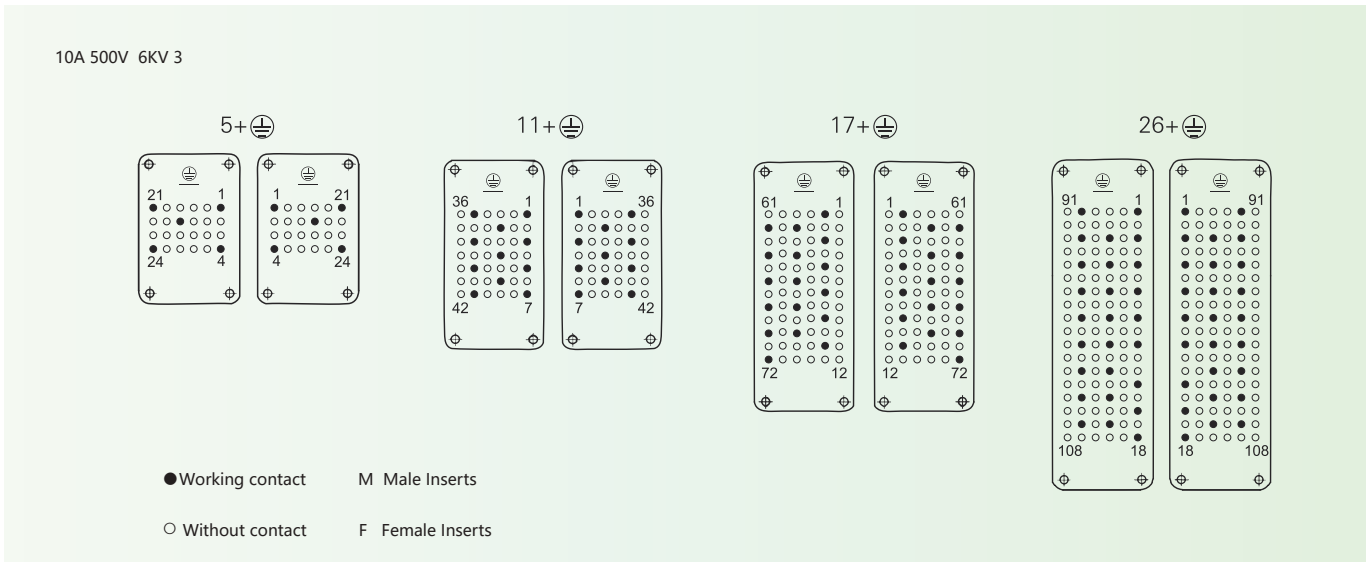
Heavy-Duty Connector

When the HD connector is full of pins, its working voltage can reach 250V when the insulation grade is 3 (C). However, the pin distribution has been adjusted, Similarly, when the insulation grade is 3 (C), the allowable working voltage can reach 500V

Pin Distribution Diagram After Adjustment-400V



Pin Distribution Diagram After Adjustment-500V



Heavy-Duty Connector

● HDD-024/042

Ultra High Density Insertst 250V

Product Picture	PartNumber	Dimension
<p>Crimping Inserts</p> <p>Match 6B housing/hold</p>	<p>HDD-024-MC</p> <p>HDD-024-FC</p>	<p>The maximum distance between connectors is 21mm</p> <p>Pin Sequence</p> <p>Panel installation hole drawing</p>

Ultra High Density Insertst 250V 10A 42+

Product Picture	PartNumber	Dimension
<p>Crimping Inserts</p> <p>Match 10B housing/hold</p>	<p>HDD-042-MC</p> <p>HDD-042-FC</p>	<p>The maximum distance between connectors is 21mm</p> <p>Pin Sequence</p> <p>Panel installation hole drawing</p>



Heavy-Duty Connector

● HDD-072/108

Ultra High Density Insertst 250V

Product Picture	PartNumber	Dimension
<p>Crimping Inserts</p> <p>Match 16B housing/hold</p>	<p>HDD-072-MC</p> <p>HDD-072-FC</p>	<p>The maximum distance between connectors is 21mm</p> <p>Pin Sequence</p> <p>Panel installation hole drawing</p>

Ultra High Density Insertst 250V 10A 108+

Product Picture	PartNumber	Dimension
<p>Crimping Inserts</p> <p>Match 24B housing/hold</p>	<p>HDD-108-MC</p> <p>HDD-108-FC</p>	<p>Maximum distance between connectors 24mm</p> <p>Pin Sequence</p> <p>Panel installation hole drawing</p>



Heavy-Duty Connector



● HDD-144/216

Ultra High Density Insertst250V

Product Picture	PartNumber	Dimension
<p>Crimping Inserts</p> <p>Match 32B housing/hold</p>	<p>HDD-072-MC(1-72)</p> <p>HDD-072-MC(73-144)</p> <p>HDD-072-FC(1-72)</p> <p>HDD-072-FC(73-144)</p>	<p>Maximum distance between connectors 24mm</p> <p>Pin Sequence</p> <p>Panel installation hole drawing</p>

Ultra High Density Insertst250V 10A 216+

Product Picture	PartNumber	Dimension
<p>Crimping Inserts</p> <p>Match 48B housing/hold</p>	<p>HDD-108-MC(1-108)</p> <p>HDD-108-MC(109-216)</p> <p>HDD-108-FC(1-108)</p> <p>HDD-108-FC(109-216)</p>	<p>Maximum distance between connectors 24mm</p> <p>Pin Sequence</p> <p>Panel installation hole drawing</p>



Communicate Now

Heavy-Duty Connector

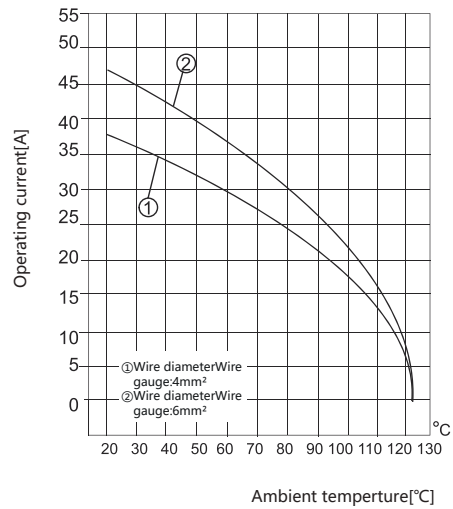
● HSB Series

Technical Characteristics

standard	
	DIN EN 60 664 DIN EN 61 984
Insert	
※Number of connector pins	6,12+PE
※Rated current	35A
※See the right figure for current load capacity	
※Rated voltage	400V
※Rated voltage between phases	690V
※Rated impulse voltage	6KV
※class of pollution	3
or	35A 500 6KV3
※According to UL/CSA rated voltage	600V
※insulation resistance	≥10 ¹⁰ Ω
※Material Science	Polycarbonate
※Operating temperature range	-40°C~+125°C
※Flame retardant grade	V0
※Pluggable times	≥500
Pin	
※Material Science	copper alloy
※surface treatment	plate with silver
※contact resistance	≤1mΩ
※Wiring form	Screw connection
※Screw connection	
Cross Section	6mm ²
AWG	10
Tightening torque	1.2Nm

Current Load Capacity

The limitation of current load capacity mainly comes from the test and control process of the maximum temperature that the connector including the contact pin can withstand according to DIN EN 605 12-5



Heavy-Duty Connector

● HK-008/24

Technical Characteristics

standard
 DIN EN 60 664
 DIN EN 61 984

Insert

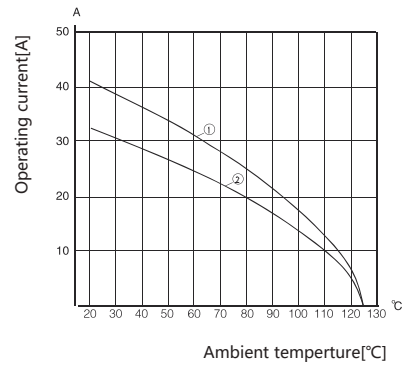
※Number of connector pins 8/24+PE
 ※Rated voltage according to EN61 984
 ※Power area
 Rated current 16A
 Rated voltage 230/400V
 Rated impulse voltage 4KV
 Pollution degree 3
 Parameters at pollution level 2 10A 250V 4KV 2
 ※Signal area
 Rated current 10A
 Rated voltage 160V
 Rated impulse voltage 2.5KV
 Pollution degree 3
 ※According to UL/CSA rated voltage 600/300V
 ※insulation resistance $\geq 10^{10}\Omega$
 ※Material Science polycarbonate Polycarbonate
 ※Operating temperature range $-40^{\circ}\text{C}\sim+125^{\circ}\text{C}$
 ※Flame retardant grade V0
 ※Pluggable times ≥ 500

Pin

※Strong electrocupuncture
 Material Science copper alloy
 surface treatment gold-plated plate with silver
 contact resistance $\leq 1\text{m}\Omega$
 Crimping Connecton
 Cross Section 0.5-4.0mm²
 AWG 20-12
 ※Signal pin
 Material Science copper alloy
 surface treatment gold-plated plate with silver
 contact resistance $\leq 3\text{m}\Omega$
 Crimping Connecton
 Cross Section 0.15-2.5mm²
 AWG 25-14

Current Load Capacity

The limitation of current load capacity mainly comes from the test and control process of the maximum temperature that the connector including the contact pin can withstand according to DIN EN 605 12-5



① Core cross-section Wire gauge: 4.0mm²
 ② Core cross-section Wire gauge: 2.5mm²



Heavy-Duty Connector

● HK-008/24

Combined Insertst 400/160V 16/10A

Product Picture	PartNumber	Dimension
<p>Crimping Inserts</p> <p>Match 6B housing/hold</p>	<p>HK-008/24-MC</p> <p>HK-008/24-FC</p>	<p>The maximum distance between connectors is 21mm</p> <p>Pin Sequence</p> <p>M F</p>

16A Crimping Pins

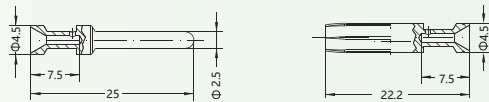


plate with silver

Cross section		Strip length	Female	Male
014-0.37mm ²	AWG 26-22	7.5mm	CESF-0.37	CESM-0.37
0.5mm ²	AWG 20	7.5mm	CESF-0.5	CESM-0.5
0.75mm ²	AWG 18	7.5mm	CESF-0.75	CESM-0.75
1.0mm ²	AWG 18	7.5mm	CESF-1.0	CESM-1.0
1.5mm ²	AWG 16	7.5mm	CESF-1.5	CESM-1.5
2.5mm ²	AWG 14	7.5mm	CESF-2.5	CESM-2.5
3.0mm ²	AWG 12	7.5mm	CESF-3.0	CESM-3.0
4.0mm ²	AWG 12	7.5mm	CESF-4.0	CESM-4.0

gold-plated

Cross section		Strip length	Female	Male
014-0.37mm ²	AWG 26-22	7.5mm	CEGF-0.37	CEGM-0.37
0.5mm ²	AWG 20	7.5mm	CEGF-0.5	CEGM-0.5
0.75mm ²	AWG 18	7.5mm	CEGF-0.75	CEGM-0.75
1.0mm ²	AWG 18	7.5mm	CEGF-1.0	CEGM-1.0
1.5mm ²	AWG 16	7.5mm	CEGF-1.5	CEGM-1.5
2.5mm ²	AWG 14	7.5mm	CEGF-2.5	CEGM-2.5
3.0mm ²	AWG 12	7.5mm	CEGF-3.0	CEGM-3.0
4.0mm ²	AWG 12	7.5mm	CEGF-4.0	CEGM-4.0

10A Crimping Pins

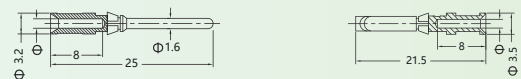


plate with silver

Cross section		Strip length	Φ	Female	Male
014-0.37mm ²	AWG 26-22	8mm	0.9	CDSF-0.37	CDSM-0.37
0.5mm ²	AWG 20	8mm	1.1	CDSF-0.5	CDSM-0.5
0.75mm ²	AWG 18	8mm	1.3	CDSF-0.75	CDSM-0.75
1.0mm ²	AWG 18	8mm	1.45	CDSF-1.0	CDSM-1.0
1.5mm ²	AWG 16	8mm	1.75	CDSF-1.5	CDSM-1.5
2.5mm ²	AWG 14	8mm	2.25	CDSF-2.5	CDSM-2.5

gold-plated

Cross section		Strip length	Φ	Female	Male
014-0.37mm ²	AWG 26-22	8mm	0.9	CDGF-0.37	CDGM-0.37
0.5mm ²	AWG 20	8mm	1.1	CDGF-0.5	CDGM-0.5
0.75mm ²	AWG 18	8mm	1.3	CDGF-0.75	CDGM-0.75
1.0mm ²	AWG 18	8mm	1.45	CDGF-1.0	CDGM-1.0
1.5mm ²	AWG 16	8mm	1.75	CDGF-1.5	CDGM-1.5
2.5mm ²	AWG 14	8mm	2.25	CDGF-2.5	CDGM-2.5



Heavy-Duty Connector

● HK-004/4

Technical Characteristics

standard

DIN EN 60 664
DIN EN 61 984

Insert

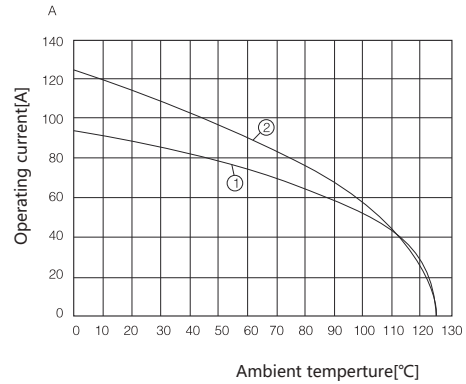
※Number of connector pins	4/4+PE
※Rated voltage according to EN61 984	
※Power area	
Rated current	70A
Rated voltage	690V
Rated impulse voltage	8KV
Pollution degree	3
※Signal area	
Rated current	16A
Rated voltage	250V
Rated impulse voltage	4KV
Pollution degree	3
※According to UL/CSA rated voltage	600/230V
※insulation resistance	≥10 ¹⁰ Ω
※Material Science	polycarbonate Polycarbonate
※Operating temperature range	-40°C~+125°C
※Flame retardant grade	V0
※Pluggable times	≥500

Pin

※Strong electrocupuncture	
Material Science	copper alloy
surface treatment	plate with silver
contact resistance	≤0.5mΩ
Crimping Connecton	
Cross Section	10-25mm ²
AWG	8-4
Maximum cable diameter	11mm
Strip length	15.5mm
※Signal pin	
Material Science	copper alloy
surface treatment	plate with silver
contact resistance	≤1mΩ
Crimping Connecton	
Cross Section	0.14-4mm ²
AWG	26-14

Current Load Capacity

The limitation of current load capacity mainly comes from the test and control process of the maximum temperature that the connector including the contact pin can withstand according to DIN EN 605 12-5



①Core cross-section Wire gauge: 16mm²
②Core cross-section Wire gauge: 25mm²



Heavy-Duty Connector



● HK-004/4

Combined Inserts 690/250V 70/16A

Product Picture	PartNumber	Dimension
<p>Crimping Inserts</p> <p>Match 10B housing/hold</p>	<p>HK-004/4-MC</p> <p>HK-004/4-FC</p>	<p>The maximum distance between connectors is 21mm</p> <p>Pin Sequence</p>

16A Crimping Pins

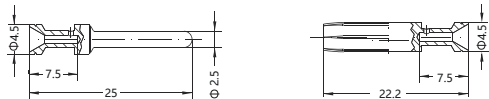


plate with silver

Cross section		Strip length	Female	Male
014-0.37mm ²	AWG 26-22	7.5mm	CESF-0.37	CESM-0.37
0.5mm ²	AWG 20	7.5mm	CESF-0.5	CESM-0.5
0.75mm ²	AWG 18	7.5mm	CESF-0.75	CESM-0.75
1.0mm ²	AWG 18	7.5mm	CESF-1.0	CESM-1.0
1.5mm ²	AWG 16	7.5mm	CESF-1.5	CESM-1.5
2.5mm ²	AWG 14	7.5mm	CESF-2.5	CESM-2.5
3.0mm ²	AWG 12	7.5mm	CESF-3.0	CESM-3.0
4.0mm ²	AWG 12	7.5mm	CESF-4.0	CESM-4.0

gold-plated

Cross section		Strip length	Female	Male
014-0.37mm ²	AWG 26-22	7.5mm	CEGF-0.37	CEGM-0.37
0.5mm ²	AWG 20	7.5mm	CEGF-0.5	CEGM-0.5
0.75mm ²	AWG 18	7.5mm	CEGF-0.75	CEGM-0.75
1.0mm ²	AWG 18	7.5mm	CEGF-1.0	CEGM-1.0
1.5mm ²	AWG 16	7.5mm	CEGF-1.5	CEGM-1.5
2.5mm ²	AWG 14	7.5mm	CEGF-2.5	CEGM-2.5
3.0mm ²	AWG 12	7.5mm	CEGF-3.0	CEGM-3.0
4.0mm ²	AWG 12	7.5mm	CEGF-4.0	CEGM-4.0

70A Crimping Pins

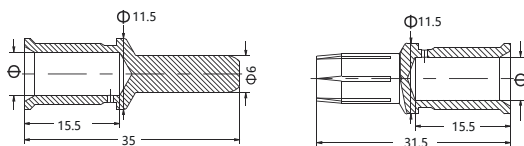


plate with silver

Cross section	Strip length	Φ	Female	Male
10mm ²	15.5mm	4.3	CKSF70-10	CKSM70-10
16mm ²	15.5mm	5.5	CKSF70-16	CKSM70-16
25mm ²	15.5mm	7	CKSF70-25	CKSM70-25

Cable strands according to IEC 60 228-5
For stranded wire according to IEC 60 228 Class 5



Heavy-Duty Connector

● HK-004/0,004/2

Technical Characteristics

standard

DIN EN 60 664
DIN EN 61 984

Insert

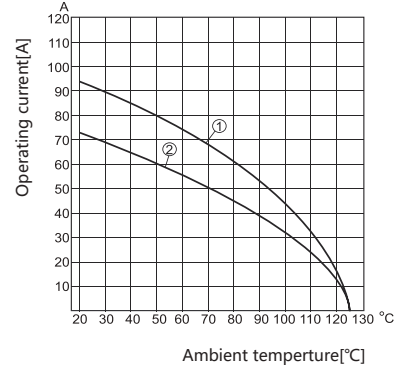
- ※Number of connector pins 4/0,4/2+PE
- ※Rated voltage according to EN61 984
- ※Power area
 - Rated current 80A
 - Rated voltage 830V
 - Rated impulse voltage 8KV
 - Pollution degree 3
 - Parameters at pollution level 2 80A 1000V 8KV 2
- ※Signal area
 - Rated current 16A
 - Rated voltage 400V
 - Rated impulse voltage 6KV
 - Pollution degree 3
 - Parameters at pollution level 2 16A 400/690V 6KV 2
- ※According to UL/CSA rated voltage 600/230V
- ※insulation resistance $\geq 10^{10} \Omega$
- ※Material Science polycarbonate Polycarbonate
- ※Operating temperature range -40°C~+125°C
- ※Flame retardant grade V0
- ※Pluggable times ≥ 500

Pin

- ※Strong electrocupuncture
 - Material Science copper alloy
 - surface treatment plate with silver
 - contact resistance $\leq 0.3m\Omega$
- Screw connection
 - Cross Section 1.5-25mm²
 - AWG 16-6
 - Tightening torque
 - mm² 1.5 2.5 4 6 10 16
 - Nm 1.2 2 3 3 3 3
 - Strip length 14mm
- ※Signal pin
 - Material Science copper alloy
 - surface treatment plate with silver
 - contact resistance $\leq 1m\Omega$
 - Screw connection
 - Cross Section 0.5-2.5mm²
 - AWG 20-14
 - Tightening torque 0.5Nm
 - Strip length 7.5mm

Current Load Capacity

The limitation of current load capacity mainly comes from the test and control process of the maximum temperature that the connector including the contact pin can withstand according to DIN EN 605 12-5



① Core cross-section Wire gauge: 16mm²
② Core cross-section Wire gauge: 10mm²



Heavy-Duty Connector

● HK-004/0,004/2,004/8

Combined Inserts 830/400V 80/16A

Product Picture	PartNumber	Dimension
<p>Screw crimping</p> <p>Match 16B housing/hold</p>	<p>HK-004/0-M</p> <p>HK-004/0-F</p> <p>HK-004/2-M</p> <p>HK-004/2-F</p>	<p>The maximum distance between connectors is 21mm</p> <p>M</p> <p>F</p> <p>Pin Sequence</p> <p>M F M F</p> <p>HK 004/0 HK 004/2</p>

High Current Type Inserts 400/400V 80/16A 4/8+

Product Picture	PartNumber	Dimension
<p>Screw connection</p> <p>Match 24B housing/hold</p>	<p>HK-004/8-M</p> <p>HK-004/8-F</p>	<p>Maximum distance between connectors 24mm</p> <p>M</p> <p>F</p> <p>Pin Sequence</p> <p>M F</p>



Heavy-Duty Connector

● HWK-006/6

Technical Characteristics

standard

DIN EN 60 664
DIN EN 61 984

Insert

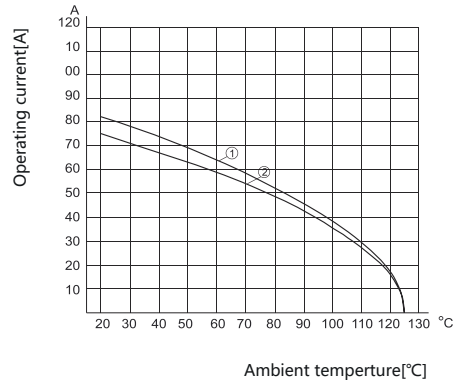
- ※Number of connector pins 6/6+PE
- ※Rated voltage according to EN61 984
- ※Power area
 - Rated current 40A
 - Rated voltage 400/690V
 - Rated impulse voltage 6KV
 - Pollution degree 3
- ※Signal area
 - Rated current 16A
 - Rated voltage 230/400V
 - Rated impulse voltage 4KV
 - Pollution degree 600/600V
- ※According to UL/CSA rated voltage
- ※insulation resistance $\geq 10^{10}\Omega$
- ※Material Science polycarbonate Polycarbonate
- ※Operating temperature range $-40^{\circ}\text{C} \sim +125^{\circ}\text{C}$
- ※Flame retardant grade V0
- ※Pluggable times ≥ 500

Pin

- ※Strong electrocupuncture
 - Material Science copper alloy
 - surface treatment plate with silver
 - contact resistance $\leq 3\text{m}\Omega$
 - Screw connection
 - Cross Section 4-10mm²
 - AWG 12-8
 - Tightening torque
 - mm² 1.5 2.5 4 6 10 16
 - Nm 1.2 2 3 3 3 3
- ※Signal pin
 - Material Science copper alloy
 - surface treatment plate with silver
 - contact resistance $\leq 1\text{m}\Omega$
 - Screw connection
 - Cross Section 1-2.5mm²
 - AWG 18-4
 - Tightening torque 0.5Nm

Current Load Capacity

The limitation of current load capacity mainly comes from the test and control process of the maximum temperature that the connector including the contact pin can withstand according to DIN EN 605 12-5



① Core cross-section Wire gauge: 16mm²
② Core cross-section Wire gauge: 10mm²



Heavy-Duty Connector

● HK-006/36

Technical Characteristics

standard

DIN EN 60 664
DIN EN 61 984

Insert

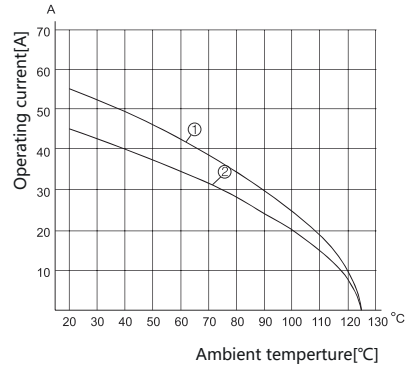
- ※Number of connector pins 6/36+PE
- ※Rated voltage according to EN61 984
- ※Power area
 - Rated current 40A
 - Rated voltage 690V
 - Rated impulse voltage 8KV
 - Pollution degree 3
- ※Signal area
 - Rated current 10A
 - Rated voltage 160V
 - Rated impulse voltage 2.5KV
 - Pollution degree 3
 - Parameters at pollution level 2 10A 250V 4KV 2
- ※According to UL/CSA rated voltage 600/300V
- ※insulation resistance $\geq 10^{10} \Omega$
- ※Material Science polycarbonate Polycarbonate
- ※Operating temperature range -40°C~+125°C
- ※Flame retardant grade V0
- ※Pluggable times ≥ 500

Pin

- ※Strong electroacupuncture
 - Material Science copper alloy
 - surface treatment plate with silver
 - gold-plated
 - contact resistance $\leq 0.3m\Omega$
 - Crimping Connecton
 - Cross Section 1.5-6mm²
 - AWG 16-10
 - Maximum insulation diameter 5mm
- ※Signal pin
 - Material Science copper alloy
 - surface treatment plate with silver
 - gold-plated
 - contact resistance $\leq 3m\Omega$
 - Crimping Connecton
 - Cross Section 0.14-2.5mm²
 - AWG 26-14

Current Load Capacity

The limitation of current load capacity mainly comes from the test and control process of the maximum temperature that the connector including the contact pin can withstand according to DIN EN 605 12-5



① Core cross-section Wire gauge: 6.0mm²
② Core cross-section Wire gauge: 4.0mm²



Heavy-Duty Connector



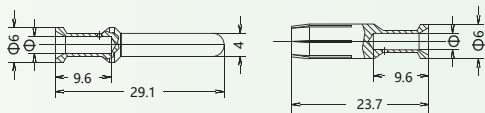
● HK-006/36

Combined Inserts 690/400V 40/10A

Product Picture	PartNumber	Dimension
<p>Crimping Connecton</p> <p>Match 16B housing/hold</p>	<p>HK-006/36-MC</p> <p>HK-006/36-FC</p>	<p>The maximum distance between connectors is 21mm</p> <p>Pin Sequence</p>

40A Crimping Pins

10A Crimping Pins



M
plate with silver

F

Cross section		Strip length	Φ	Female	Male
1.5mm ²	AWG 16	9mm	1.75	CCSF-1.5	CCSM-1.5
2.5mm ²	AWG 14	9mm	2.25	CCSF-2.5	CCSM-2.5
4mm ²	AWG 12	9.6mm	2.85	CCSF-4.0	CCSM-4.0
6mm ²	AWG 10	9.6mm	3.5	CCSF-6.0	CCSM-6.0

gold-plated

Cross section		Strip length	Φ	Female	Male
1.5mm ²	AWG 16	9mm	1.75	CCGF-1.5	CCGM-1.5
2.5mm ²	AWG 14	9mm	2.25	CCGF-2.5	CCGM-2.5
4mm ²	AWG 12	9.6mm	2.85	CCGF-4.0	CCGM-4.0
6mm ²	AWG 10	9.6mm	3.5	CCGF-6.0	CCGM-6.0

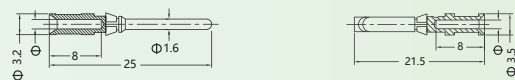


plate with silver

Cross section		Strip length	Φ	Female	Male
014-0.37mm ²	AWG 26-22	8mm	0.9	CDSF-0.37	CDSM-0.37
0.5mm ²	AWG 20	8mm	1.1	CDSF-0.5	CDSM-0.5
0.75mm ²	AWG 18	8mm	1.3	CDSF-0.75	CDSM-0.75
1.0mm ²	AWG 18	8mm	1.45	CDSF-1.0	CDSM-1.0
1.5mm ²	AWG 16	8mm	1.75	CDSF-1.5	CDSM-1.5
2.5mm ²	AWG 14	8mm	2.25	CDSF-2.5	CDSM-2.5

gold-plated

Cross section		Strip length	Φ	Female	Male
014-0.37mm ²	AWG 26-22	8mm	0.9	CDGF-0.37	CDGM-0.37
0.5mm ²	AWG 20	8mm	1.1	CDGF-0.5	CDGM-0.5
0.75mm ²	AWG 18	8mm	1.3	CDGF-0.75	CDGM-0.75
1.0mm ²	AWG 18	8mm	1.45	CDGF-1.0	CDGM-1.0
1.5mm ²	AWG 16	8mm	1.75	CDGF-1.5	CDGM-1.5
2.5mm ²	AWG 14	8mm	2.25	CDGF-2.5	CDGM-2.5



Heavy-Duty Connector

● HK-012/2

Technical Characteristics

standard

DIN EN 60 664
DIN EN 61 984

Insert

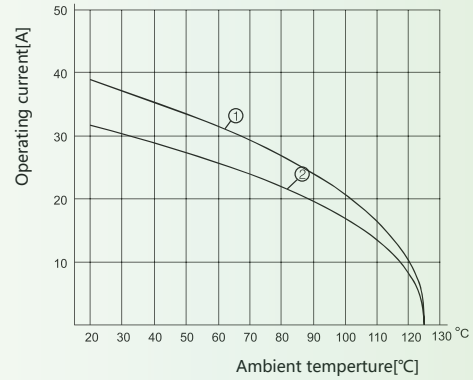
※Number of connector pins	12/2+PE
※Rated voltage according to EN61 984	
※Power area	
Rated current	40A
Rated voltage	690V
Rated impulse voltage	8KV
Pollution degree	3
※Signal area	
Rated current	10A
Rated voltage	250V
Rated impulse voltage	4KV
Pollution degree	3
※According to UL/CSA rated voltage	600/300V
※insulation resistance	≥10 ¹⁰ Ω
※Material Science	polycarbonate Polycarbonate
※Operating temperature range	-40°C~+125°C
※Flame retardant grade	V0
※Pluggable times	≥500

Pin

※Strong electroacupuncture	
Material Science	copper alloy
surface treatment	plate with silver gold-plated
contact resistance	≤0.3mΩ
Crimping Connecton	
Cross Section	1.5-6mm ²
AWG	16-10
※Signal pin	
Material Science	copper alloy
surface treatment	plate with silver
contact resistance	≤3mΩ
Crimping Connecton	
Cross Section	0.14-2.5mm ²
AWG	26-14

Current Load Capacity

The limitation of current load capacity mainly comes from the test and control process of the maximum temperature that the connector including the contact pin can withstand according to DIN EN 605 12-5



①Core cross-section Wire gauge: 6.0mm²
②Core cross-section Wire gauge: 4.0mm²



Heavy-Duty Connector



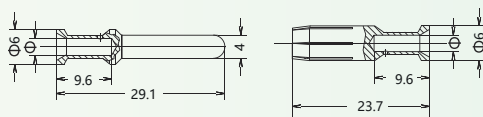
● HK-012/2

Combined Insertst 690/250V 40/10A

Product Picture	PartNumber	Dimension
<p>Crimping Conneton</p> <p>Match 16B housing/hold</p>	<p>HK-012/2-MC</p> <p>HK-012/2-FC</p>	<p>The maximum distance between connectors is 21mm</p> <p>Pin Sequence</p>

40A Crimping Pins

10A Crimping Pins



M
plate with silver

F

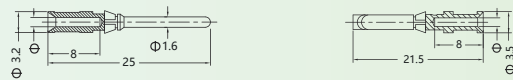


plate with silver

Cross section		Strip length	Φ	Female	Male
1.5mm ²	AWG 16	9mm	1.75	CCSF-1.5	CCSM-1.5
2.5mm ²	AWG 14	9mm	2.25	CCSF-2.5	CCSM-2.5
4mm ²	AWG 12	9.6mm	2.85	CCSF-4.0	CCSM-4.0
6mm ²	AWG 10	9.6mm	3.5	CCSF-6.0	CCSM-6.0

Cross section		Strip length	Φ	Female	Male
014-0.37mm ²	AWG 26-22	8mm	0.9	CDSF-0.37	CDSM-0.37
0.5mm ²	AWG 20	8mm	1.1	CDSF-0.5	CDSM-0.5
0.75mm ²	AWG 18	8mm	1.3	CDSF-0.75	CDSM-0.75
1.0mm ²	AWG 18	8mm	1.45	CDSF-1.0	CDSM-1.0
1.5mm ²	AWG 16	8mm	1.75	CDSF-1.5	CDSM-1.5
2.5mm ²	AWG 14	8mm	2.25	CDSF-2.5	CDSM-2.5

gold-plated

Cross section		Strip length	Φ	Female	Male
1.5mm ²	AWG 16	9mm	1.75	CCGF-1.5	CCGM-1.5
2.5mm ²	AWG 14	9mm	2.25	CCGF-2.5	CCGM-2.5
4mm ²	AWG 12	9.6mm	2.85	CCGF-4.0	CCGM-4.0
6mm ²	AWG 10	9.6mm	3.5	CCGF-6.0	CCGM-6.0

gold-plated

Cross section		Strip length	Φ	Female	Male
014-0.37mm ²	AWG 26-22	8mm	0.9	CDGF-0.37	CDGM-0.37
0.5mm ²	AWG 20	8mm	1.1	CDGF-0.5	CDGM-0.5
0.75mm ²	AWG 18	8mm	1.3	CDGF-0.75	CDGM-0.75
1.0mm ²	AWG 18	8mm	1.45	CDGF-1.0	CDGM-1.0
1.5mm ²	AWG 16	8mm	1.75	CDGF-1.5	CDGM-1.5
2.5mm ²	AWG 14	8mm	2.25	CDGF-2.5	CDGM-2.5



Heavy-Duty Connector

● HK-006/6

Technical Characteristics

standard
 DIN EN 60 664
 DIN EN 61 984

Insert

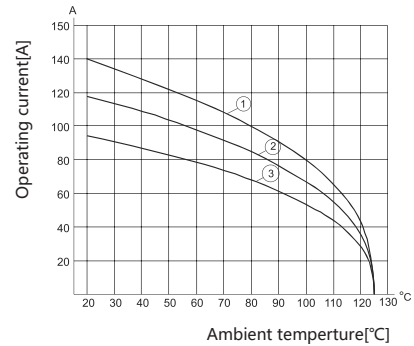
- ※Number of connector pins 6/6+PE
- ※Rated voltage according to EN61 984
- ※Power area
 - Rated current 100A
 - Rated voltage 690V
 - Rated impulse voltage 8KV
 - Pollution degree 3
 - When the parameter of pollution degree 2 100A 1000V 8KV 2
- ※Signal area
 - Rated current 16A
 - Rated voltage 400V
 - Rated impulse voltage 6KV
 - Pollution degree 3
- ※According to UL rated voltage 600/300V
- ※According to UL/CSA rated voltage 600/600V
- ※According to UL/CSA rated current 100/15A
- ※insulation resistance $\geq 10^{10}\Omega$
- ※Material Science polycarbonate Polycarbonate
- ※Operating temperature range -40°C~ +125°C
- ※Flame retardant grade V0
- ※Pluggable times ≥ 500

Pin

- ※Strong electrocupuncture
 - Material Science copper alloy
 - surface treatment plate with silver
 - contact resistance $\leq 0.5m\Omega$
- Axial screw connection
 - Cross Section 16-35mm²
 - AWG 5-2
 - Maximum insulation diameter 1.4mm
- Tightening torque
 - mm² 16 25 35
 - Nm 6 7 8
- Strip length 13±1mm
- ※Signal pin
 - Material Science copper alloy
 - surface treatment plate with silver
 - contact resistance $\leq 3m\Omega$
- Axial screw connection
 - Cross Section 0.2-2.5mm²
 - AWG 24-13
 - Tightening torque 0.8Nm
 - Strip length 7.5mm

Current load capacity

The limitation of current load capacity mainly comes from the test and control process of the maximum temperature that the connector including the contact pin can withstand according to DIN EN 605 12-5



- ① Core cross-section Wire gauge: 35mm²
- ② Core cross-section Wire gauge: 25mm²
- ③ Core cross-section Wire gauge: 16mm²



Heavy-Duty Connector

● HK-008/0

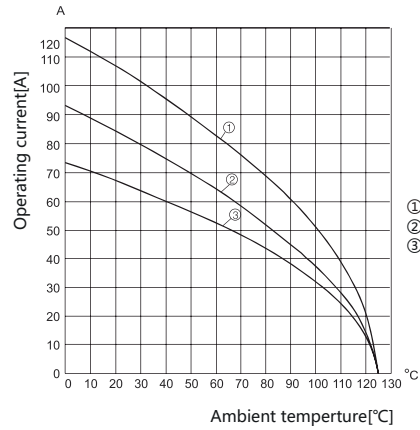
Technical Characteristics

standard	
	DIN EN 60 664 DIN EN 61 984
Insert	
※Number of connector pins	8/0+PE
※Rated voltage according to EN61 984	
※Power area	
Rated current	100A
Rated voltage	690V
Rated impulse voltage	8KV
Pollution degree	3
Parameters at pollution level 2	100A 1000V 8KV 2
※According to UL/CSA rated voltage	600V
※According to UL/CSA rated current	82A
※insulation resistance	≥10 ¹⁰ Ω
※Material Science	polycarbonate Polycarbonate
※Operating temperature range	-40°C~+125°C
※Flame retardant grade	V0
※Pluggable times	≥500
Pin	
※Material Science	copper alloy
※surface treatment	plate with silver
※contact resistance	≤0.5mΩ
※Axial screw connection	
mm ²	10-25mm ²
AWG	7-3
Maximum insulation diameter	11.4mm
Tightening torque	
mm ²	10 16 25
AWG	6 6 7
Strip length	13±1mm

Combined Insertst 690/100V 8/0+⊕

Current Load capacity

The limitation of current load capacity mainly comes from the test and control process of the maximum temperature that the connector including the contact pin can withstand according to DIN EN 605 12-5



- ① Core cross-section Wire gauge: 25mm²
- ② Core cross-section Wire gauge: 16mm²
- ③ Core cross-section Wire gauge: 10mm²

Accessories

tools

Hexagonal Driver



Description

For Axial Setscrew With Grip

Form Type

BS-4C150

Product Picture

PartNumber

Dimension

Axial crimping

Match 24B housing/hold



HK-008/0-M

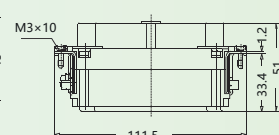
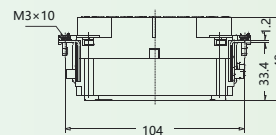
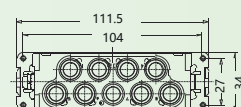
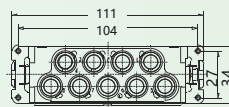


HK-008/0-F

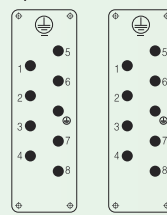
Maximum distance between connectors 24mm

M

F



Pin Sequence



Heavy-Duty Connector

● HQ-002/0

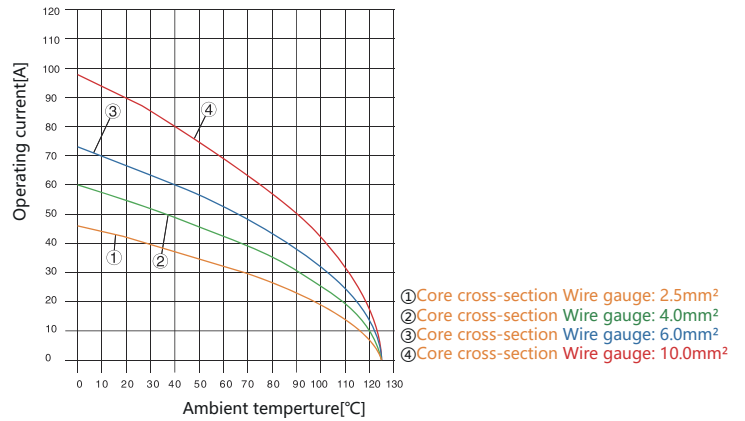
Technical Characteristics

standard	DIN EN 60 664 DIN EN 61 984
Insert	※Number of connector pins 2+PE ※Rated voltage according to EN61 984 830V ※Rated current 40A ※Rated voltage 6KV ※Rated impulse voltage 6KV ※Pollution degree 3 ※According to UL/CSA rated voltage 600V ※insulation resistance $\geq 10^{10}\Omega$ ※Material Science polycarbonate Polycarbonate ※Operating temperature range $-40^{\circ}\text{C}\sim +125^{\circ}\text{C}$ ※Flame retardant grade V0 ※Pluggable times ≥ 500
Pin	※Material Science copper alloy ※surface treatment plate with silver ※contact resistance $\leq 1\text{m}\Omega$ ※Axial screw connection mm ² 2.5-10mm ² AWG 14-8 Tightening torque 1.8Nm Strip length $8\pm 1\text{mm}$

Housing	
※Plastic shell	polycarbonate Polycarbonate
Material Science	V0
Flame retardant grade	IP67
Degree of protection	
※Metal housing	kirsite Zinc Die-cast
Material Science	IP44
Degree of protection	IP67(Achieve bolt sealing)

Current Load Capacity

The limitation of current load capacity mainly comes from the test and control process of the maximum temperature that the connector including the contact pin can withstand according to DIN EN 605 12-5



Compact Small Volume Insertst 400V/40A 2+ ⊕

Product Picture	PartNumber	Dimension
Axial crimping Match 3A housing/hold 	HQ-002.1-M HQ-002.2-M	
	HQ-002.1/0-F(2.5-6mm ²) HQ-002.2/0-F(4-10mm ²)	

Accessories

tools	Description	Form Type
	For Axial Setscrew With Grip	BS-2C40



Heavy-Duty Connector

● HQV-002/0

Technical Characteristics

standard	DIN EN 60 664 DIN EN 61 984
----------	--------------------------------

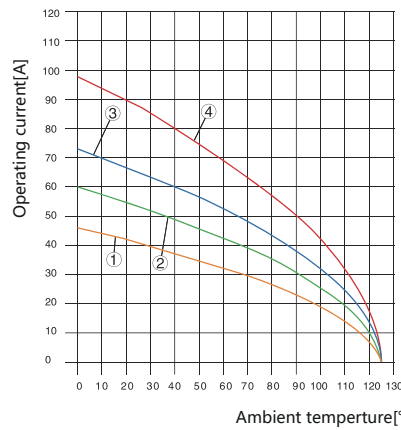
Insert	
※Number of connector pins	2+PE
※Rated voltage according to EN61 984	830V
※Rated current	40A
※Rated voltage	830V
※Rated impulse voltage	6KV
※Pollution degree	3
※According to UL/CSA rated voltage	400V
※insulation resistance	≥10 ¹⁰ Ω
※Material Science	polycarbonate Polycarbonate
※Operating temperature range	-40°C~+125°C
※Flame retardant grade	V0
※Pluggable times	≥500

Pin	
※Material Science	copper alloy
※surface treatment	plate with silver
※contact resistance	≤1mΩ
※Axial screw connection	
mm ²	2.5-10mm ²
AWG	14-8
Tightening torque	1.8Nm
Strip length	8±1mm

Housing	
※Plastic shell	
Material Science	polycarbonate Polycarbonate
Flame retardant grade	V0
Degree of protection	IP67
※Metal housing	
Material Science	kirsite Zinc Die-cast
Degree of protection	IP44 IP67(Achieve bolt sealing)


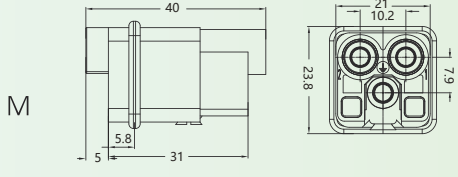
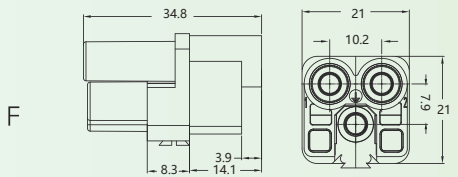
Current Load Capacity

The limitation of current load capacity mainly comes from the test and control process of the maximum temperature that the connector including the contact pin can withstand according to DIN EN 605 12-5




- ① Core cross-section Wire gauge: 2.5mm²
- ② Core cross-section Wire gauge: 4.0mm²
- ③ Core cross-section Wire gauge: 6.0mm²
- ④ Core cross-section Wire gauge: 10.0mm²

Compact Small Volume Insertst830V/40A 2+ ⊕

Product Picture	PartNumber	Dimension
Axial crimping Match 3A housing/hold 	HQV-002.1/0-M(2.5-6mm ²)	M 
	HQV-002.2/0-M(4-10mm ²)	
	HQV-002.1/0-F(2.5-6mm ²)	F 
	HQV-002.2/0-F(4-10mm ²)	

Accessories

tools	Description	Form Type
Hexagonal Driver	For Axial Setscrew With Grip	BS-2C40




Data ,CAD,3D document please refer to: WWW.VELLEDQ.COM

Heavy-Duty Connector



HQ-005/0

Technical Characteristics

standard

DIN EN 60 664
DIN EN 61 984

Insert

- ※Number of connector pins 5+PE
- ※Rated voltage according to EN61 984 230V
- ※Rated current 16A
- ※Phase to ground rated voltage 230V
- ※Rated voltage between phases 400V
- ※Rated impulse voltage 4KV
- ※Pollution degree 3
- ※Parameters at pollution level 2 16A 320/500V 4KV 2
- ※According to UL/CSA rated voltage 600V
- ※insulation resistance $\geq 10^{10}\Omega$
- ※Material Science polycarbonate Polycarbonate
- ※Operating temperature range -40°C~+125°C
- ※Flame retardant grade V0
- ※Pluggable times ≥ 500

Pin

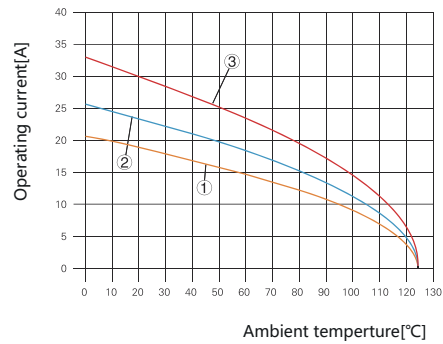
- ※Material Science copper alloy
- ※surface treatment plate with silver
gold-plated
- ※contact resistance $\leq 1m\Omega$
- ※Crimping Connector mm² 0.14-2.5mm²
- AWG 26-14
- ※PE screw connection mm² 2.5mm²
- AWG 14

Housing

- ※Plastic shell
 - Material Science polycarbonate Polycarbonate
 - Flame retardant grade V0
 - Degree of protection IP67
- ※Metal housing
 - Material Science kirsite Zinc Die-cast
 - Degree of protection IP44
 - IP67(Achieve bolt sealing)

Current Load Capacity

The limitation of current load capacity mainly comes from the test and control process of the maximum temperature that the connector including the contact pin can withstand according to DIN EN 605 12-5



- ① Core cross-section Wire gauge: 1.0mm²
- ② Core cross-section Wire gauge: 1.5mm²
- ③ Core cross-section Wire gauge: 2.5mm²

Compact Small Volume Insert 230V/400V 16A 5+ ⊕

Product Picture	PartNumber	Dimension
	HQ-005/0-MC	
	HQ-005/0-FC	

16A Crimping pins

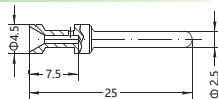
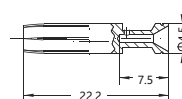


plate with silver

Cross section		Strip length	Female	Male
014-0.37mm ²	AWG 26-22	7.5mm	CESF-0.37	CESM-0.37
0.5mm ²	AWG 20	7.5mm	CESF-0.5	CESM-0.5
0.75mm ²	AWG 18	7.5mm	CESF-0.75	CESM-0.75
1.0mm ²	AWG 18	7.5mm	CESF-1.0	CESM-1.0
1.5mm ²	AWG 16	7.5mm	CESF-1.5	CESM-1.5
2.5mm ²	AWG 14	7.5mm	CESF-2.5	CESM-2.5
3.0mm ²	AWG 12	7.5mm	CESF-3.0	CESM-3.0
4.0mm ²	AWG 12	7.5mm	CESF-4.0	CESM-4.0



gold-plated

Cross section		Strip length	Female	Male
014-0.37mm ²	AWG 26-22	7.5mm	CEGF-0.37	CEGM-0.37
0.5mm ²	AWG 20	7.5mm	CEGF-0.5	CEGM-0.5
0.75mm ²	AWG 18	7.5mm	CEGF-0.75	CEGM-0.75
1.0mm ²	AWG 18	7.5mm	CEGF-1.0	CEGM-1.0
1.5mm ²	AWG 16	7.5mm	CEGF-1.5	CEGM-1.5
2.5mm ²	AWG 14	7.5mm	CEGF-2.5	CEGM-2.5
3.0mm ²	AWG 12	7.5mm	CEGF-3.0	CEGM-3.0
4.0mm ²	AWG 12	7.5mm	CEGF-4.0	CEGM-4.0



Heavy-Duty Connector

● HQ-007/0

Technical Characteristics

standard

DIN EN 60 664
DIN EN 61 984

Insert

- ※Number of connector pins 7+PE
- ※Rated voltage according to EN61 984
- ※Rated current 10A
- ※Rated voltage 400V
- ※Rated impulse voltage 6KV
- ※Pollution degree 3
- ※Parameters at pollution level 2 10A 400/690V 6KV 2
- ※According to UL/CSA rated voltage 600V
- ※insulation resistance $\geq 10^{10}\Omega$
- ※Material Science polycarbonate Polycarbonate
- ※Operating temperature range -40°C~+125°C
- ※Flame retardant grade V0
- ※Pluggable times ≥ 500

Pin

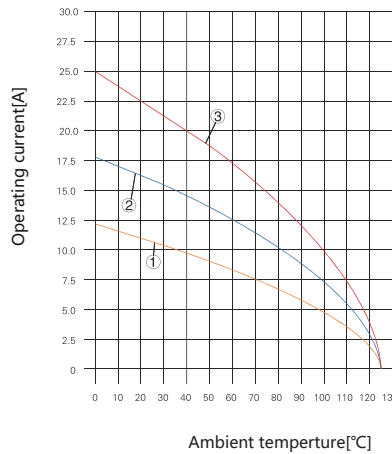
- ※Material Science copper alloy
- ※surface treatment plate with silver gold-plated
- ※contact resistance $\leq 3m\Omega$
- ※Crimping Connector mm² 0.14-2.5mm²
- AWG 26-14
- ※PE screw connection mm² 2.5mm²
- AWG 14

Housing

- ※Plastic shell
 - Material Science polycarbonate Polycarbonate
 - Flame retardant grade V0
 - Degree of protection IP67
- ※Metal housing
 - Material Science kirsite Zinc Die-cast
 - Degree of protection IP44
 - IP67(Achieve bolt sealing)

Current Load Capacity

The limitation of current load capacity mainly comes from the test and control process of the maximum temperature that the connector including the contact pin can withstand according to DIN EN 605 12-5



- ① Core cross-section Wire gauge: 0.75mm²
- ② Core cross-section Wire gauge: 1.5mm²
- ③ Core cross-section Wire gauge: 2.5mm²

Compact Small Volume Insertst400V 10A 7+ ⊕

Product Picture	PartNumber	Dimension
	HQ-007/0-MC	
	HQ-007/0-FC	

10A Crimping Pins

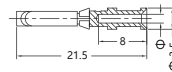
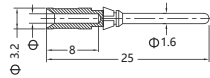


plate with silver

Cross section	Strip length	Φ	Female	Male
014-0.37mm ²	AWG 26-22	8mm	0.9	CDSF-0.37 CDSM-0.37
0.5mm ²	AWG 20	8mm	1.1	CDSF-0.5 CDSM-0.5
0.75mm ²	AWG 18	8mm	1.3	CDSF-0.75 CDSM-0.75
1.0mm ²	AWG 18	8mm	1.45	CDSF-1.0 CDSM-1.0
1.5mm ²	AWG 16	8mm	1.75	CDSF-1.5 CDSM-1.5
2.5mm ²	AWG 14	8mm	2.25	CDSF-2.5 CDSM-2.5

gold-plated

Cross section	Strip length	Φ	Female	Male
014-0.37mm ²	AWG 26-22	8mm	0.9	CDGF-0.37 CDGM-0.37
0.5mm ²	AWG 20	8mm	1.1	CDGF-0.5 CDGM-0.5
0.75mm ²	AWG 18	8mm	1.3	CDGF-0.75 CDGM-0.75
1.0mm ²	AWG 18	8mm	1.45	CDGF-1.0 CDGM-1.0
1.5mm ²	AWG 16	8mm	1.75	CDGF-1.5 CDGM-1.5
2.5mm ²	AWG 14	8mm	2.25	CDGF-2.5 CDGM-2.5



Data ,CAD,3D document please refer to: WWW.VELLEDQ.COM

Heavy-Duty Connector

● HQ-012/0

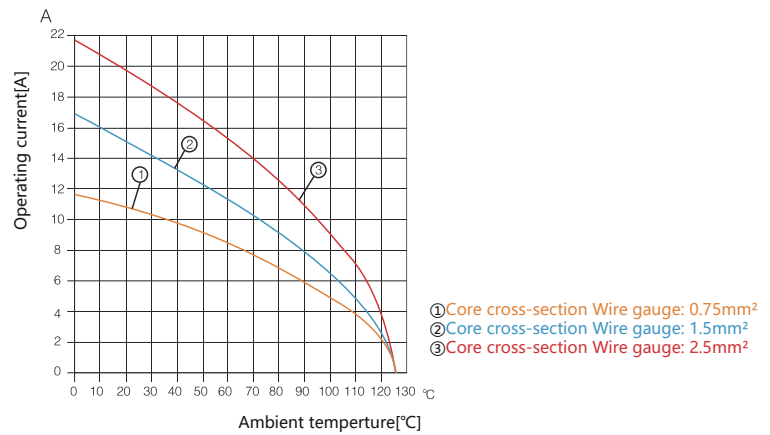
Technical Characteristics

standard	
	DIN EN 60 664 DIN EN 61 984
Insert	
※Number of connector pins	12+PE
※Rated voltage according to EN61 984	
※Rated current	10A
※Rated voltage	400V
※Rated impulse voltage	6KV
※Pollution degree	3
※Parameters at pollution level 2	10A 400/690V 6KV 2
※According to UL/CSA rated voltage	600V
※insulation resistance	≥10 ¹⁰ Ω
※Material Science	polycarbonate Polycarbonate
※Operating temperature range	-40°C~+125°C
※Flame retardant grade	V0
※Pluggable times	≥500
Pin	
※Material Science	copper alloy
※surface treatment	plate with silver gold-plated
※contact resistance	≤3mΩ
※Crimping Connecton	
mm ²	0.14-2.5mm ²
AWG	26-14
※PE screw connection	
mm ²	0.5-2.5mm ²
AWG	20-14

Housing	
※Plastic shell	
Material Science	polycarbonate Polycarbonate
Flame retardant grade	V0
Degree of protection	IP67
※Metal housing	
Material Science	kirsite Zinc Die-cast
Degree of protection	IP44
	IP67(Achieve bolt sealing)

Current Load Capacity

The limitation of current load capacity mainly comes from the test and control process of the maximum temperature that the connector including the contact pin can withstand according to DIN EN 605 12-5



Compact Small Volume Insertst 400V 10A 12+ ⊕

Product Picture	PartNumber	Dimension
Crimping Inserts Match 3A housing/hold 	HQ-012/0-MC	
	HQ-012/0-FC	

10A Crimping Pins

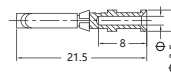
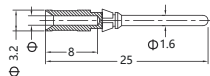


plate with silver

Cross section	Strip length	Φ	Female	Male
014-0.37mm ²	AWG 26-22	8mm	0.9	CDSF-0.37 CDSM-0.37
0.5mm ²	AWG 20	8mm	1.1	CDSF-0.5 CDSM-0.5
0.75mm ²	AWG 18	8mm	1.3	CDSF-0.75 CDSM-0.75
1.0mm ²	AWG 18	8mm	1.45	CDSF-1.0 CDSM-1.0
1.5mm ²	AWG 16	8mm	1.75	CDSF-1.5 CDSM-1.5
2.5mm ²	AWG 14	8mm	2.25	CDSF-2.5 CDSM-2.5

gold-plated

Cross section	Strip length	Φ	Female	Male
014-0.37mm ²	AWG 26-22	8mm	0.9	CDGF-0.37 CDGM-0.37
0.5mm ²	AWG 20	8mm	1.1	CDGF-0.5 CDGM-0.5
0.75mm ²	AWG 18	8mm	1.3	CDGF-0.75 CDGM-0.75
1.0mm ²	AWG 18	8mm	1.45	CDGF-1.0 CDGM-1.0
1.5mm ²	AWG 16	8mm	1.75	CDGF-1.5 CDGM-1.5
2.5mm ²	AWG 14	8mm	2.25	CDGF-2.5 CDGM-2.5



Heavy-Duty Connector

HQ-008/0

Technical Characteristics

standard	DIN EN 60 664 DIN EN 61 984
----------	--------------------------------

Insert	
※Number of connector pins	8+PE
※Rated voltage according to EN61 984	
※Rated current	16A
※Rated voltage	500V
※Rated impulse voltage	6KV
※Pollution degree	3
※Parameters at pollution level 2	16A 400/690V 6KV 2
※When installing metal housing	16A 230/400V 4KV 3
※According to UL/CSA rated voltage	600V
※insulation resistance	≥10 ¹⁰ Ω
※Material Science	polycarbonate Polycarbonate
※Operating temperature range	-40°C~+125°C
※Flame retardant grade	V0
※Pluggable times	≥500

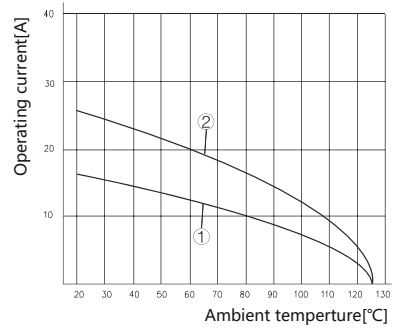
Pin	
※Material Science	copper alloy
※surface treatment	plate with silver gold-plated
※contact resistance	≤1mΩ
※Crimping Connecton	
mm ²	0.14-2.5mm ² (Up to 4mm with some equipment ?)
AWG	26-12

Compact Small Volume Insertst 500V 16A 8+

Housing	
※Plastic shell	
Material Science	Thermoplastic Hermoplastic
Interlocking element	Polyamide (nylon)Polyamide
Enclosure seal	NBR
Operating temperature range	-40°C~+125°C
Flame retardant grade	V0
Degree of protection	IP65
※Metal housing	
Material Science	Metal
Interlocking element	Stainless Steel
Enclosure seal	NBR
Operating temperature range	-40°C~+125°C
Degree of protection	IP65

Current Load Capacity

The limitation of current load capacity mainly comes from the test and control process of the maximum temperature that the connector including the contact pin can withstand according to DIN EN 605 12-5



①Core cross-section Wire gauge: 1.5mm²
②Core cross-section Wire gauge: 2.5mm²

Product Picture	PartNumber	Dimension
	HQ-008/0-MC	
	HQ-008/0-FC	

16A Crimping pins

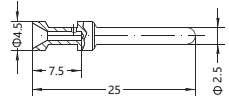
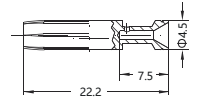


plate with silver

Cross section	Strip length	Female	Male	
014-0.37mm ²	AWG 26-22	7.5mm	CESF-0.37	CESM-0.37
0.5mm ²	AWG 20	7.5mm	CESF-0.5	CESM-0.5
0.75mm ²	AWG 18	7.5mm	CESF-0.75	CESM-0.75
1.0mm ²	AWG 18	7.5mm	CESF-1.0	CESM-1.0
1.5mm ²	AWG 16	7.5mm	CESF-1.5	CESM-1.5
2.5mm ²	AWG 14	7.5mm	CESF-2.5	CESM-2.5
3.0mm ²	AWG 12	7.5mm	CESF-3.0	CESM-3.0
4.0mm ²	AWG 12	7.5mm	CESF-4.0	CESM-4.0



gold-plated

Cross section	Strip length	Female	Male	
014-0.37mm ²	AWG 26-22	7.5mm	CEGF-0.37	CEGM-0.37
0.5mm ²	AWG 20	7.5mm	CEGF-0.5	CEGM-0.5
0.75mm ²	AWG 18	7.5mm	CEGF-0.75	CEGM-0.75
1.0mm ²	AWG 18	7.5mm	CEGF-1.0	CEGM-1.0
1.5mm ²	AWG 16	7.5mm	CEGF-1.5	CEGM-1.5
2.5mm ²	AWG 14	7.5mm	CEGF-2.5	CEGM-2.5
3.0mm ²	AWG 12	7.5mm	CEGF-3.0	CEGM-3.0
4.0mm ²	AWG 12	7.5mm	CEGF-4.0	CEGM-4.0



Data ,CAD,3D document please refer to: WWW.VELLEDQ.COM

Heavy-Duty Connector

● HQ-017/0

Technical Characteristics

standard	DIN EN 60 664 DIN EN 61 984
----------	--------------------------------

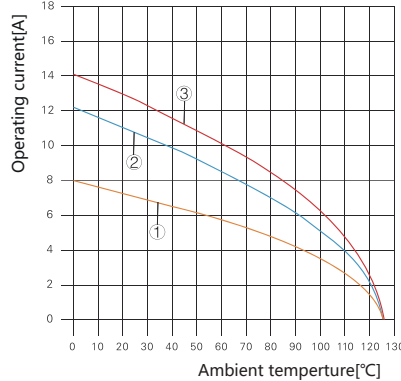
Insert	
※Number of connector pins	17+PE
※Rated voltage according to EN61 984	
※Rated current	10A
※Rated voltage	250V
※Rated impulse voltage	4KV
※Pollution degree	2
※According to UL/CSA rated voltage	250V
※insulation resistance	≥10 ⁹ Ω
※Material Science	polycarbonate Polycarbonate
※Operating temperature range	-40°C~+125°C
※Flame retardant grade	V0
※Pluggable times	≥500

Pin	
※Material Science	copper alloy
※surface treatment	plate with silver gold-plated
※contact resistance	≤3mΩ
※Crimping Connector	
mm ²	0.14-2.5mm ²
AWG	26-12

Housing	
※Plastic shell	
Material Science	Thermoplastic Hermoplastic
Interlocking element	Polyamide (nylon)Polyamide
Enclosure seal	NBR
Operating temperature range	-40°C~+125°C
Flame retardant grade	V0
Degree of protection	IP65
※Metal housing	
Material Science	Metal
Interlocking element	Stainless Steel
Enclosure seal	NBR
Operating temperature range	-40°C~+125°C
Degree of protection	IP65

Current Load Capacity

The limitation of current load capacity mainly comes from the test and control process of the maximum temperature that the connector including the contact pin can withstand according to DIN EN 605 12-5



① Core cross-section Wire gauge: 0.5mm²
 ② Core cross-section Wire gauge: 1.0mm²
 ③ Core cross-section Wire gauge: 1.5mm²

Compact Small Volume Insert 250V 10A 17+ ⊕

Product Picture	PartNumber	Dimension
	HQ-017/0-MC	
	HQ-017/0-FC	

10A Crimping Pins

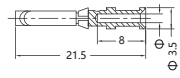
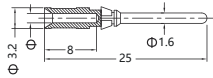


plate with silver

Cross section	Strip length	Φ	Female	Male
014-0.37mm ²	AWG 26-22	8mm	0.9	CDSF-0.37 CDSM-0.37
0.5mm ²	AWG 20	8mm	1.1	CDSF-0.5 CDSM-0.5
0.75mm ²	AWG 18	8mm	1.3	CDSF-0.75 CDSM-0.75
1.0mm ²	AWG 18	8mm	1.45	CDSF-1.0 CDSM-1.0
1.5mm ²	AWG 16	8mm	1.75	CDSF-1.5 CDSM-1.5
2.5mm ²	AWG 14	8mm	2.25	CDSF-2.5 CDSM-2.5

gold-plated

Cross section	Strip length	Φ	Female	Male
014-0.37mm ²	AWG 26-22	8mm	0.9	CDGF-0.37 CDGM-0.37
0.5mm ²	AWG 20	8mm	1.1	CDGF-0.5 CDGM-0.5
0.75mm ²	AWG 18	8mm	1.3	CDGF-0.75 CDGM-0.75
1.0mm ²	AWG 18	8mm	1.45	CDGF-1.0 CDGM-1.0
1.5mm ²	AWG 16	8mm	1.75	CDGF-1.5 CDGM-1.5
2.5mm ²	AWG 14	8mm	2.25	CDGF-2.5 CDGM-2.5



Heavy-Duty Connector

● HQ-004/2

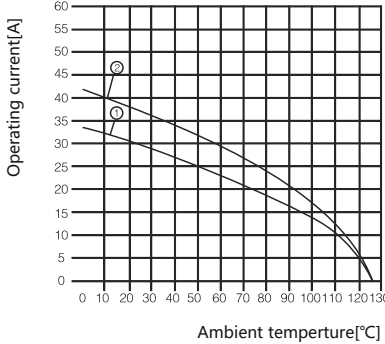
Technical Characteristics

standard	
	DIN EN 60 664 DIN EN 61 984
Insert	
※Number of connector pins	4/2+PE
※Rated voltage according to EN61 984	
※Power area	
Rated current	40A
Rated current	400V
Rated voltage between phases	690V
Rated impulse voltage	6KV
Pollution degree	3
※Signal area	
Rated current	10A
Rated voltage	250V
Rated impulse voltage	4KV
Pollution degree	3
※According to UL/CSA rated voltage	600/250V
insulation resistance	≥10 ¹⁰ Ω
Material Science	polycarbonate Polycarbonate
Operating temperature range	-40°C~+125°C
Flame retardant grade	V0
Pluggable times	≥500
Housing	
※Plastic shell	
Material Science	Hermoplastic
Interlocking element	Polyamide
Enclosure seal	NBR
Operating temperature range	-40°C~+125°C
Flame retardant grade	V0
Degree of protection	IP65

Pin	
※Material Science	copper alloy
※surface treatment	plate with silver gold-plated
※contact resistance	≤0.3mΩ
※Cold pressed connection	
mm ²	1.5-6mm ² /0.14-2.5mm ²
AWG	16-10/26-14
※Maximum insulation diameter	
Strong electrocupuncture	5mm

Current Load Capacity

The limitation of current load capacity mainly comes from the test and control process of the maximum temperature that the connector including the contact pin can withstand according to DIN EN 605 12-5



① Core cross-section Wire gauge: 2.5mm²
② Core cross-section Wire gauge: 4.0mm²

Compact Small Volume Insertst 400/690V 40/10A 4/2+⊕

Product Picture	PartNumber	Dimension
Crimping Inserts Match HC housing/hold 	HQ-004/2-MC	
	HQ-004/2-FC	

10A Crimping Pins

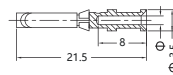
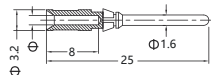


plate with silver

Cross section	Strip length	Φ	Female	Male
014-0.37mm ²	AWG 26-22	8mm	0.9	CDSF-0.37 CDSM-0.37
0.5mm ²	AWG 20	8mm	1.1	CDSF-0.5 CDSM-0.5
0.75mm ²	AWG 18	8mm	1.3	CDSF-0.75 CDSM-0.75
1.0mm ²	AWG 18	8mm	1.45	CDSF-1.0 CDSM-1.0
1.5mm ²	AWG 16	8mm	1.75	CDSF-1.5 CDSM-1.5
2.5mm ²	AWG 14	8mm	2.25	CDSF-2.5 CDSM-2.5


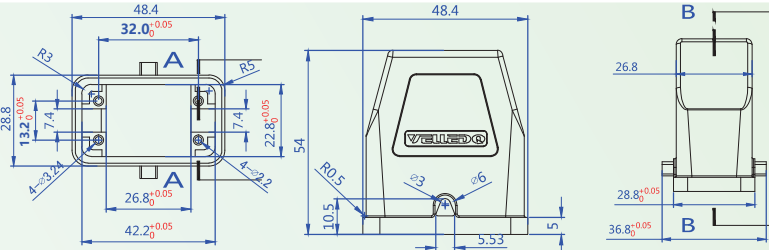
gold-plated

Cross section	Strip length	Φ	Female	Male
014-0.37mm ²	AWG 26-22	8mm	0.9	CDGF-0.37 CDGM-0.37
0.5mm ²	AWG 20	8mm	1.1	CDGF-0.5 CDGM-0.5
0.75mm ²	AWG 18	8mm	1.3	CDGF-0.75 CDGM-0.75
1.0mm ²	AWG 18	8mm	1.45	CDGF-1.0 CDGM-1.0
1.5mm ²	AWG 16	8mm	1.75	CDGF-1.5 CDGM-1.5
2.5mm ²	AWG 14	8mm	2.25	CDGF-2.5 CDGM-2.5



Heavy-Duty Connector








Product Picture	PartNumber	Dimension
	<p>HC.P-S-2B-PG16</p>	



Heavy-Duty Connector

● Chapter Summary

Module Overview

 <p>H2MK-001-M H2MK-001-F</p>	Insert	200A Axial module
	Contacts	1
	Terminal	Axial screw terminal
	Rated Current	200A
	Rated Voltage	1000V
	Wire gauge	25-70mm ²
 <p>H2MK-001-MC H2MK-001-FC</p>	Insert	200A Crimp module
	Contacts	1
	Terminal	Crimp terminal
	Rated Current	200A
	Rated Voltage	1000V
	Wire gauge	25-70mm ²
 <p>HMK-001-MC HMK-001-FC</p>	Insert	100A Crimp module
	Contacts	1
	Terminal	Crimp terminal
	Rated Current	100A
	Rated Voltage	830V
	Wire gauge	10-35mm ²
 <p>H2MK-002-M H2MK-002-F</p>	Insert	100A Axial module
	Contacts	2
	Terminal	Axial Screw terminal
	Rated Current	100A
	Rated Voltage	1000V
	Wire gauge	10-35mm ²
 <p>H2MK-002-MC H2MK-002-FC</p>	Insert	100A Crimp module
	Contacts	2
	Terminal	Crimp terminal
	Rated Current	100A
	Rated Voltage	1000V
	Wire gauge	10-35mm ²
 <p>HMK70-002-M HMK70-002-F</p>	Insert	70A Axial module
	Contacts	2
	Terminal	Axial Screw terminal
	Rated Current	70A
	Rated Voltage	1000V
	Wire gauge	6-22mm ²
 <p>HMK70-002-MC HMK70-002-FC</p>	Insert	70A Crimp module
	Contacts	2
	Terminal	Crimp terminal
	Rated Current	70A
	Rated Voltage	1000V
	Wire gauge	10-25mm ²
 <p>HMK-002-M HMK-002-F</p>	Insert	40A Axial module
	Contacts	2
	Terminal	Axial Screw terminal
	Rated Current	40A
	Rated Voltage	1000V
	Wire gauge	2.5-10mm ²
 <p>HMK-002-MC HMK-002-FC</p>	Insert	40A Crimp module
	Contacts	2
	Terminal	Crimp terminal
	Rated Current	40A
	Rated Voltage	1000V
	Wire gauge	1.5-10mm ²
 <p>HMK-003-M HMK-003-F</p>	Insert	40A Axial module
	Contacts	3
	Terminal	Axial Screw terminal
	Rated Current	40A
	Rated Voltage	690V
	Wire gauge	2.5-10mm ²
 <p>HMK-003-MC HMK-003-FC</p>	Insert	40A Crimp module
	Contacts	3
	Terminal	Crimp terminal
	Rated Current	40A
	Rated Voltage	500V
	Wire gauge	1.5-10mm ²
 <p>HMK-003/4-MC HMK-003/4-FC</p>	Insert	40/10A Axial module
	Contacts	3/4
	Terminal	Crimp terminal
	Rated Current	40A/10A
	Rated Voltage	830V
	Wire gauge	1.5-6mm ² /0.37-2.5mm ²



Heavy-Duty Connector

Chapter Summary

Module Overview

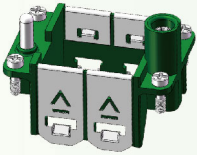
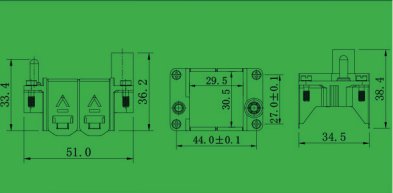

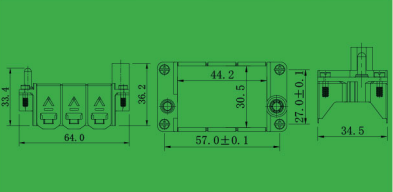
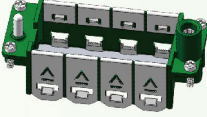
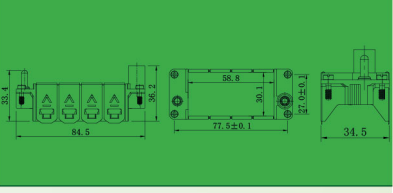

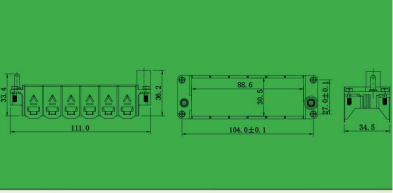

 <p>HMK-004-MC HMK-004-FC</p>	<p>Insert</p> <p>Contacts</p> <p>Terminal</p> <p>Rated Current</p> <p>Rated Voltage</p> <p>Wire gauge</p>	<p>40A Crimp module</p> <p>4</p> <p>Crimp terminal</p> <p>40A</p> <p>830V</p> <p>1.5-6mm²</p>	 <p>HME-005-MS HME-005-FS</p>	<p>Insert</p> <p>Contacts</p> <p>Terminal</p> <p>Rated Current</p> <p>Rated Voltage</p> <p>Wire gauge</p>	<p>16A Cage-clamp module</p> <p>5</p> <p>Cage clamp terminal</p> <p>16A</p> <p>400V</p> <p>0.14-2.5mm²</p>				
 <p>HME-006-MC HME-006-FC</p>	<p>Insert</p> <p>Contacts</p> <p>Terminal</p> <p>Rated Current</p> <p>Rated Voltage</p> <p>Wire gauge</p>	<p>16A Crimp module</p> <p>6</p> <p>Crimp terminal</p> <p>16A</p> <p>500V</p> <p>0.14-4mm²</p>	 <p>HVME-006-MC HVME-006-FC</p>	<p>Insert</p> <p>Contacts</p> <p>Terminal</p> <p>Rated Current</p> <p>Rated Voltage</p> <p>Wire gauge</p>	<p>16A Crimp module</p> <p>6</p> <p>Crimp terminal</p> <p>16A</p> <p>830V</p> <p>0.14-4mm²</p>				
 <p>HMEE-008-MC HMEE-008-FC</p>	<p>Insert</p> <p>Contacts</p> <p>Terminal</p> <p>Rated Current</p> <p>Rated Voltage</p> <p>Wire gauge</p>	<p>16A Crimp module</p> <p>8</p> <p>Crimp terminal</p> <p>16A</p> <p>400V</p> <p>0.14-4mm²</p>	 <p>H2MEE-020-MC H2MEE-020-FC</p>	<p>Insert</p> <p>Contacts</p> <p>Terminal</p> <p>Rated Current</p> <p>Rated Voltage</p> <p>Wire gauge</p>	<p>16A Crimp module</p> <p>20</p> <p>Crimp terminal</p> <p>16A</p> <p>500V</p> <p>0.14-4mm²</p>				
 <p>HMD-012-MS HMD-012-FS</p>	<p>Insert</p> <p>Contacts</p> <p>Terminal</p> <p>Rated Current</p> <p>Rated Voltage</p> <p>Wire gauge</p>	<p>10A Protected module</p> <p>12</p> <p>Protected terminal</p> <p>10A</p> <p>250V</p> <p>0.14-4mm²</p>	 <p>HMDD-017-MC HMDD-017-FC</p>	<p>Insert</p> <p>Contacts</p> <p>Terminal</p> <p>Rated Current</p> <p>Rated Voltage</p> <p>Wire gauge</p>	<p>10A Crimp module</p> <p>17</p> <p>Crimp terminal</p> <p>10A</p> <p>160V</p> <p>0.14-2.5mm²</p>				
 <p>HMDS-009-MC HMDS-009-FC</p>	<p>Insert</p> <p>Contacts</p> <p>Terminal</p> <p>Rated Current</p> <p>Rated Voltage</p> <p>Wire gauge</p>	<p>5A D-sub module</p> <p>9</p> <p>Crimp terminal</p> <p>5A</p> <p>50V</p> <p>0.09-0.82mm²</p>	 <p>HMDS-025-MC HMDS-025-FC</p>	<p>Insert</p> <p>Contacts</p> <p>Terminal</p> <p>Rated Current</p> <p>Rated Voltage</p> <p>Wire gauge</p>	<p>4A High Density module</p> <p>25</p> <p>Crimp terminal</p> <p>4A</p> <p>50V</p> <p>0.09-0.52mm²</p>				
 <p>HM-RJ45-M HM-RJ45-F</p>	<p>Insert</p> <p>Contacts</p> <p>Terminal</p> <p>Rated Current</p> <p>Rated Voltage</p> <p>Wire gauge</p>	<p>1A RJ45 module</p> <p>8</p> <p>Module for patch cable</p> <p>1A</p> <p>50V</p>	<table border="1"> <thead> <tr> <th data-bbox="829 1727 1117 1809">Pneumatic module 2</th> <th data-bbox="1122 1727 1472 1809">Pneumatic module 3</th> </tr> </thead> <tbody> <tr> <td data-bbox="829 1816 1117 1964">  <p>HMP-002</p> <p>Φ 6mm</p> </td> <td data-bbox="1122 1816 1472 1964">  <p>HMP-003</p> <p>Φ 1.6mm Φ 3.0mm Φ 4.0mm</p> </td> </tr> </tbody> </table>			Pneumatic module 2	Pneumatic module 3	 <p>HMP-002</p> <p>Φ 6mm</p>	 <p>HMP-003</p> <p>Φ 1.6mm Φ 3.0mm Φ 4.0mm</p>
Pneumatic module 2	Pneumatic module 3								
 <p>HMP-002</p> <p>Φ 6mm</p>	 <p>HMP-003</p> <p>Φ 1.6mm Φ 3.0mm Φ 4.0mm</p>								

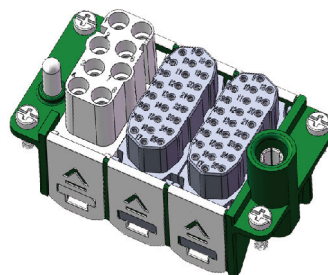
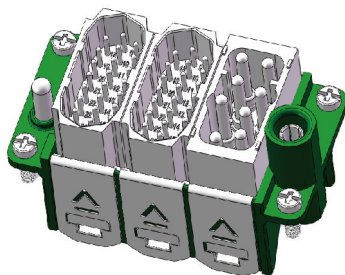


Heavy-Duty Connector

● Chapter Summary

Structural Frame Type

6B frame, size 6B hoods/housings				
	Description	Marking	Type	
	for 2 modules	A-B	HF6B-NUA3	
	for 2 modules	a-b	HF6B-NLA3	
10B frame, size 10B hoods/housings				
	Description	Marking	Type	
	for 3 modules	A-C	HF10B-NUA3	
	for 3 modules	a-c	HF10B-NLA3	
16B frame, size 16B hoods/housings				
	Description	Marking	Type	
	for 4 modules	A-D	HF16B-NUA3	
	for 4 modules	a-d	HF16B-NLA3	
24B frame, size 24B hoods/housings				
	Description	Marking	Type	
	for 6 modules	A-F	HF24B-NUA3	
	for 6 modules	a-f	HF24B-NLA3	
Filling module				
	Description	Type		
	Used to fill the fixed frame Remaining module space	HM-000		



Heavy-Duty Connector

H2MK-001

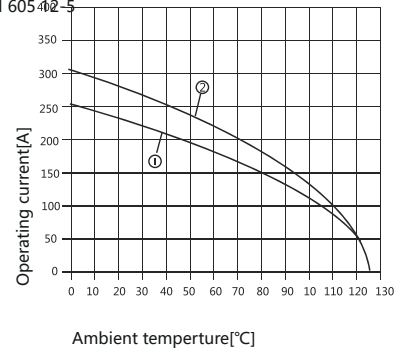
H2MK-001 Parameters Of Axial Crimping Module

standard	
DIN EN 60 664	
DIN EN 61 984	
Insert	
※Number of connector pins	1
※Rated voltage according to EN61 984	
※Rated current	200A
※Rated voltage	1000V
※Rated impulse voltage	8KV
※Pollution degree	3
※According to UL/CSA rated voltage	600V
※Insulation resistance	≥10 ¹⁰ Ω
※Material Science	Polycarbonate
※Operating temperature range	-40°C~+125°C
※Flame retardant grade	V0
※Pluggable times	≥500
Pin	
※Material Science	copper alloy
※surface treatment	plate with silver
※contact resistance	0.2mΩ
※Cable strands according to IEC 60 228-5	
※Axial screw connection	
mm ²	25-70mm ²
AWG	2-0

inner hexagon spanner	SW5
Strip length	16mm
mm ²	25 35 50 70
Nm	8 8 9 10

Current Load Capacity

The limitation of current load capacity mainly comes from the test and control process of the maximum temperature that the connector including the contact pin can withstand according to DIN EN 60542-5



①24B enclosure with 3 modules, conductor section:50mm²
 ②enclosure with 3 modules, conductor section:70mm²

H2MK-001 Axial Crimp Type Module

Product Picture	Form	Product Size
Axial crimping 	H2MK-001.1-M(25-40mm ²) H2MK-001.2-M(40-70mm ²)	
	H2MK-001.1-F(25-40mm ²) H2MK-001.2-F(40-70mm ²)	

Pump Accessories

tools	Description	Type
Hexagonal Driver 	For Axial Setscrew With Grip	BS-5C150



Heavy-Duty Connector

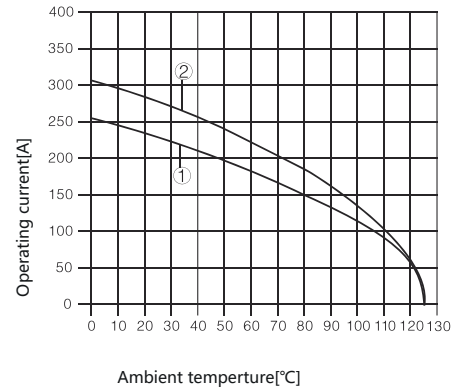
H2MK-001

H2MK-001 Parameters Of Cold Pressed Module

Standard	DIN EN 60 664 DIN EN 61 984
Plug	<ul style="list-style-type: none"> ※Number of pins for plug-in 1 ※According to rated voltage of EN61 984 ※Rated Current 200A ※Rated voltage 1000V ※Rated Pulse Voltage 8KV ※Pollution Level 3 ※insulation resistance $\geq 10^{10}\Omega$ ※Material Science Polycarbonate ※Operating temperature range $-40^{\circ}\text{C}\sim+125^{\circ}\text{C}$ ※Flame Retardant Level V0 ※Pluggable Count ≥ 500
Pin	<ul style="list-style-type: none"> ※Material Science Copper alloy ※surface treatment plate with silver ※contact resistance 0.3mΩ ※Cold pressure connection mm² 25-70mm² Strip length 22.5mm Maximum cable diameter 18mm

Current Load Capacity

The limitation of current load capacity mainly comes from the test and control process of the maximum temperature that the connector including the contact pin can withstand according to DIN EN 605 12-5



①24B enclosure with 3 modules, conductor section:50mm²
②24B enclosure with 3 modules, conductor section:70mm²

H2MK-001 Cold Pressed Module

Product Picture	Form	Product Size
	<p>H2MK-001-MC</p> <p>H2MK-001-FC</p>	

200ACold Pressing Pins

Cable section	Strip length	Φ	Female needle model	Male needle model
25mm ²	22.5mm	7	CHSF200-25	CHSM200-25
35mm ²	22.5mm	8.2	CHSF200-35	CHSM200-35
50mm ²	22.5mm	10	CHSF200-50	CHSM200-50
70mm ²	22.5mm	11.5	CHSF200-70	CHSM200-70



Data ,CAD,3D document please refer to: WWW.VELLEDQ.COM


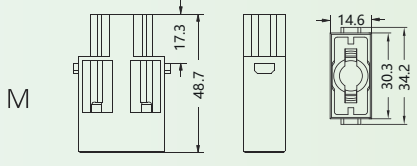
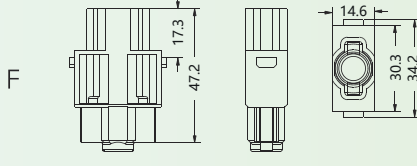
Heavy-Duty Connector

● HMK-001

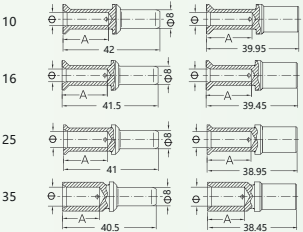
HMK-001 Parameters Of cold Pressed Module

standard	DIN EN 60 664 DIN EN 61 984
Insert	<ul style="list-style-type: none"> ※Number of connector pins 1 ※Rated voltage according to EN61 984 ※Rated current 100A ※Rated voltage 830V ※Rated impulse voltage 8KV ※Pollution degree 3 ※insulation resistance $\geq 10^{10}\Omega$ ※Material Science Polycarbonate ※Operating temperature range $-40^{\circ}\text{C}\sim+125^{\circ}\text{C}$ ※Flame retardant grade V0 ※Pluggable times ≥ 500
Pin	<ul style="list-style-type: none"> ※Material Science copper alloy ※surface treatment plate with silver ※contact resistance $\leq 0.3\text{m}\Omega$ ※Cold pressed connection mm^2 10-35mm^2 Maximum cable diameter 13mm

HMK-001 Cold Pressed Module

Product Picture	Form	Product Size
	HMK-001-MC	
	HMK-001-FC	

100A Cold Pressing Pins

	<p>plate with silver</p> <table border="1"> <thead> <tr> <th>Cable section</th> <th>Strip length</th> <th>Φ</th> <th>Female needle model</th> <th>Male needle model</th> </tr> </thead> <tbody> <tr> <td>10mm^2</td> <td>19mm</td> <td>4.3</td> <td>CKSF-10</td> <td>CKSM-10</td> </tr> <tr> <td>16mm^2</td> <td>19mm</td> <td>5.5</td> <td>CKSF-16</td> <td>CKSM-16</td> </tr> <tr> <td>25mm^2</td> <td>19mm</td> <td>7</td> <td>CKSF-25</td> <td>CKSM-25</td> </tr> <tr> <td>35mm^2</td> <td>19mm</td> <td>8.2</td> <td>CKSF-35</td> <td>CKSM-35</td> </tr> </tbody> </table>	Cable section	Strip length	Φ	Female needle model	Male needle model	10 mm^2	19mm	4.3	CKSF-10	CKSM-10	16 mm^2	19mm	5.5	CKSF-16	CKSM-16	25 mm^2	19mm	7	CKSF-25	CKSM-25	35 mm^2	19mm	8.2	CKSF-35	CKSM-35
Cable section	Strip length	Φ	Female needle model	Male needle model																						
10 mm^2	19mm	4.3	CKSF-10	CKSM-10																						
16 mm^2	19mm	5.5	CKSF-16	CKSM-16																						
25 mm^2	19mm	7	CKSF-25	CKSM-25																						
35 mm^2	19mm	8.2	CKSF-35	CKSM-35																						



Heavy-Duty Connector

H2MK-002

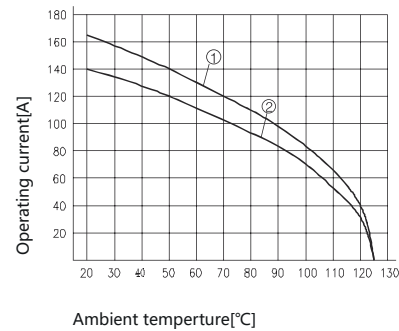
H2MK-002 Parameters Of axial Crimping Module

standard	
	DIN EN 60 664 DIN EN 61 984
Insert	
※Number of connector pins	2
※Rated voltage according to EN61 984	
※Rated current	100A
※Rated voltage	1000V
※Rated impulse voltage	8KV
※Pollution degree	3
※Rated voltage according to UL	600V
※Insulation resistance	≥10 ¹⁰ Ω
※Material Science	Polycarbonate
※Operating temperature range	-40°C~+125°C
※Flame retardant grade	V0
※Pluggable times	≥500
Pin	
※Material Science	copper alloy plate with silver
※surface treatment	
※contact resistance	0.3mΩ
※Cable strand according to IEC 60 228-5	
strand according to IEC 60 228-5	10-38mm ²
※Axial screw connection	6-2
mm ²	
AWG	

Strip length	SW4 13mm
mm ²	10 16 25 35
Nm	6 6 7 8

Current Load Capacity

The limitation of current load capacity mainly comes from the test and control process of the maximum temperature that the connector including the contact pin can withstand according to DIN EN 605 12-5



- ①24B enclosure with 3 modules, conductor section:35mm²
- ②24B enclosure with 3 modules, conductor section:25mm²

H2MK-002 Axial Crimp Type Module

Product Picture	Form	Product Size
	H2MK-002.1-M(10-25mm ²) H2MK-002.2-M(16-35mm ²) H2MK-002.1-M(38mm ²)	
	H2MK-002.1-F(10-25mm ²) H2MK-002.2-F(16-35mm ²) H2MK-002.1-F(38mm ²)	

Pump Accessories

Cable shoe 16mm ² 	Description For PE extension	Form Type PE-E16	
Tools Hexagonal driver 	Description For Axial Setscrew With Grip	Form Type BS-4C150	



Heavy-Duty Connector

H2MK-002

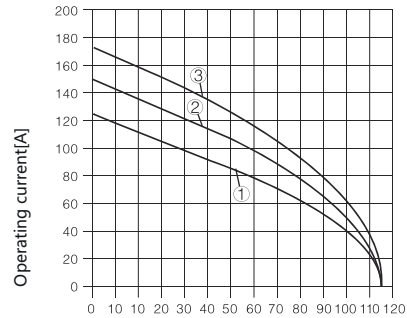
H2MK-002 Parameters Of Cold Pressed Module

standard	DIN EN 60 664 DIN EN 61 984
Insert	<ul style="list-style-type: none"> ※Number of connector pins 2 ※Rated voltage according to EN61 984 ※Rated current 100A ※Rated voltage 1000V ※Rated impulse voltage 8KV ※Pollution degree 3 ※insulation resistance $\geq 10^{10}\Omega$ ※Material Science polycarbonate ※Operating temperature range $-40^{\circ}\text{C} \sim +125^{\circ}\text{C}$ ※Flame retardant grade V0 ※Pluggable times ≥ 500
Pin	<ul style="list-style-type: none"> ※Material Science copper alloy ※surface treatment plate with silver ※contact resistance $\leq 0.3\text{m}\Omega$ ※Cold pressed connection mm² 10-35mm² Maximum cable diameter 14mm

H2MK-002 Cold Pressed Module

Current Load Capacity

The limitation of current load capacity mainly comes from the test and control process of the maximum temperature that the connector including the contact pin can withstand according to DIN EN 605 12-5



Ambient temperature[°C]

- ①24B enclosure with 3 modules, conductor section:16mm²
- ②24B enclosure with 3 modules, conductor section:25mm²
- ③24B enclosure with 3 modules, conductor section:35mm²

Product Picture	Form	Product Size
<p>Cold pressed connection</p>	H2MK-002-MC	<p>M</p>
	H2MK-002-FC	<p>F</p>

100ACold Pressing Pins

Cable section	Strip length	Φ	Female needle model	Male needle model
10mm ²	19mm	4.3	CKSF-10	CKSM-10
16mm ²	19mm	5.5	CKSF-16	CKSM-16
25mm ²	19mm	7	CKSF-25	CKSM-25
35mm ²	19mm	8.2	CKSF-35	CKSM-35

plate with silver



Heavy-Duty Connector

HMK70-002

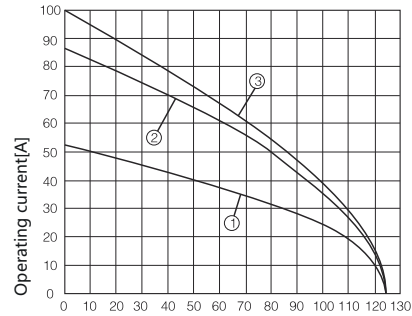
HMK70-002 Parameters Of axial Crimping Module

standard	
DIN EN 60 664 DIN EN 61 984	
Insert	
※Number of connector pins	2
※Rated voltage according to EN61 984	
※Rated current	70A
※Rated voltage	1000V
※Rated impulse voltage	8KV
※Pollution degree	3
※basisUL/CSARated voltage	600V
※insulation resistance	≥10 ¹⁰ Ω
※Material Science	Polycarbonate
※Operating temperature range	-40°C~+125°C
※Flame retardant grade	V0
※Pluggable times	≥500
Pin	
※Material Science	copper alloy
※surface treatment	plate with silver
※contact resistance	0.5mΩ
※Cable strands according to IEC 60 228-5	
※Axial screw connection	
mm ²	6-22mm ²
AWG	8-4

Strip length	SW2.5
mm ²	6 10 16 22
mm	11 11 11 12.5
mm ²	6 10 16 22
Nm	2 3 4 5

Current Load Capacity

The limitation of current load capacity mainly comes from the test and control process of the maximum temperature that the connector including the contact pin can withstand according to DIN EN 605 12-5



Ambient temperature[°C]

- ①24B enclosure with 6 modules, conductor section:6mm²
- ②24B enclosure with 6 modules, conductor section:16mm²
- ③24B enclosure with 6 modules, conductor section:22mm²

HMK70-002 Axial Crimp Type Module

Product Picture	Form	Product Size
	HMK70-002.1-M(6-16mm ²) HMK70-002.2-M(14-22mm ²)	M
	HMK70-002.1-F(6-16mm ²) HMK70-002.2-F(14-22mm ²)	F

Pump Accessories

tools	Description	Form Type
Hexagonal Driver 	For Axial Setscrew With Grip	BS-2C40



Heavy-Duty Connector

HMK70-002

HMK70-002 Parameters Of Cold Pressed Module

standard

DIN EN 60 664
DIN EN 61 984

Insert

※Number of connector pins	2
※Rated voltage according to EN61 984	
※Rated current	70A
※Rated voltage	1000V
※Rated impulse voltage	8KV
※Pollution degree	3
※basisUL/CSARated voltage	600V
※insulation resistance	≥10 ¹⁰ Ω
※Material Science	Polycarbonate
※Operating temperature range	-40°C~+125°C
※Flame retardant grade	V0
※Pluggable times	≥500

Pin

※Material Science	copper alloy
※surface treatment	plate with silver
※contact resistance	≤0.5mΩ
※Cold pressed connection	
mm ²	10-25mm ²
※Strip length	15.5mm
※Maximum cable diameter	11mm

Current Load Capacity

The limitation of current load capacity mainly comes from the test and control process of the maximum temperature that the connector including the contact pin can withstand according to DIN EN 605 12-5

HMK70-002 Cold Pressed Module

Product Picture	Form	Product Size
	HMK70-002-MC	
	HMK70-002-FC	

70A Cold pressing pins

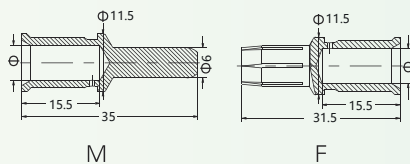


plate with silver

Cable section	Strip length	Φ	Female needle model	Male needle model
10mm ²	15.5mm	4.3	CKSF70-10	CKSM70-10
16mm ²	15.5mm	5.5	CKSF70-16	CKSM70-16
25mm ²	15.5mm	7	CKSF70-25	CKSM70-25



Heavy-Duty Connector

HMK-002

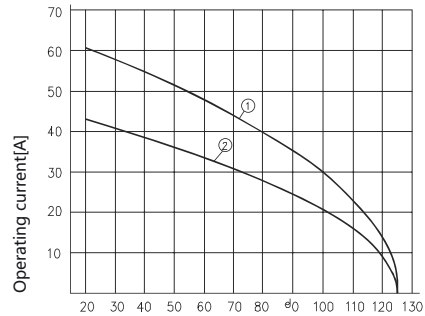
HMK-002 Parameters Of Sxial Crimping Module

standard	DIN EN 60 664 DIN EN 61 984
Insert	<ul style="list-style-type: none"> ※Number of connector pins 2 ※Rated voltage according to EN61 984 ※Rated current 40A ※Rated voltage 1000V ※Rated impulse voltage 8KV ※Pollution degree 3 ※basisUL/CSARated voltage 600V ※insulation resistance $\geq 10^{10}\Omega$ ※Material Science Polycarbonate ※Operating temperature range $-40^{\circ}\text{C} \sim +125^{\circ}\text{C}$ ※Flame retardant grade V0 ※Pluggable times ≥ 500
Pin	<ul style="list-style-type: none"> ※Material Science copper alloy ※surface treatment plate with silver ※contact resistance $0.5\text{m}\Omega$ ※Cable strands according to IEC 60 228-5 ※Axial screw connection mm² 25-10mm² AWG 14-8

inner hexagon spanner	SW2
Strip length	
mm ²	2.5 4 6 10
mm	5 5 8 11
Tightening torque	
mm ²	2.5 4 6 10
Nm	1.5 1.5 2 2

Current Load Capacity

The limitation of current load capacity mainly comes from the test and control process of the maximum temperature that the connector including the contact pin can withstand according to DIN EN 605 12-5


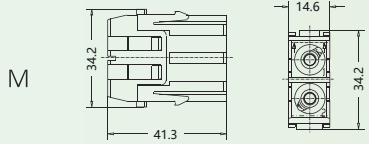

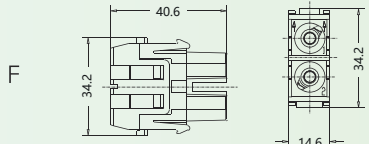


Ambient temperature [°C]

① 24B enclosure with 6 modules, conductor section: 10mm²

② 24B enclosure with 6 modules, conductor section: 6mm²

HMK-002 Axial Crimp Type Module

Product Picture	Form	Product Size
	HMK-002.1-M(2.5-8mm ²) HMK-002.2-M(6-10mm ²)	
	HMK-002.1-F(2.5-8mm ²) HMK-002.2-F(6-10mm ²)	

Pump Accessories

tools

Hexagonal Driver



Description

For Axial Setscrew With Grip

Form Type

BS-2C40



Data ,CAD,3D document please refer to: WWW.VELLEDQ.COM

Heavy-Duty Connector

HMK-002

HMK-002 Parameters Of Cold Pressed Module

standard

DIN EN 60 664
DIN EN 61 984

Insert

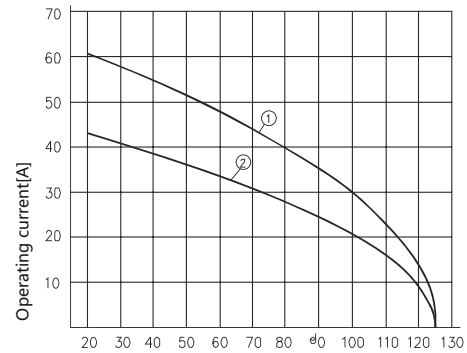
- ※Number of connector pins 2
- ※Rated voltage according to EN61 984 1000V
- ※Rated current 40A
- ※Rated voltage 1000V
- ※Rated impulse voltage 8KV
- ※Pollution degree 3
- ※insulation resistance $\geq 10^{10}\Omega$
- ※Material Science Polycarbonate
- ※Operating temperature range $-40^{\circ}\text{C}\sim+125^{\circ}\text{C}$
- ※Flame retardant grade V0
- ※Pluggable times ≥ 500

Pin

- ※Material Science copper alloy
- ※surface treatment plate with silver
- ※contact resistance $\leq 0.3\text{m}\Omega$
- ※Cold pressed connection
- mm² 1.5-10mm²
- AWG 16-8

Current Load Capacity

The limitation of current load capacity mainly comes from the test and control process of the maximum temperature that the connector including the contact pin can withstand according to DIN EN 605 12-5



Ambient temperature[°C]

- ①24B enclosure with 6 modules, conductor section:10mm²
- ②24B enclosure with 6 modules, conductor section:6mm²

HMK-002 Cold Pressed Module

Product Picture	Form	Product Size
	<p>HMK-002-MC</p> <p>HMK-002-FC</p>	

40A Cold Pressing Pins

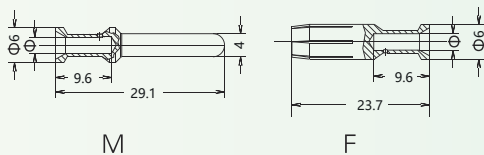


plate with silver

Cable section	Strip length	Φ	Female needle model	Male needle model	
1.5mm ²	AWG 16	9mm	1.75	CCSF-1.5	CCSM-1.5
2.5mm ²	AWG 14	9mm	2.25	CCSF-2.5	CCSM-2.5
4mm ²	AWG 12	9.6mm	2.85	CCSF-4.0	CCSM-4.0
6mm ²	AWG 10	9.6mm	3.5	CCSF-6.0	CCSM-6.0



Heavy-Duty Connector

HMK-003

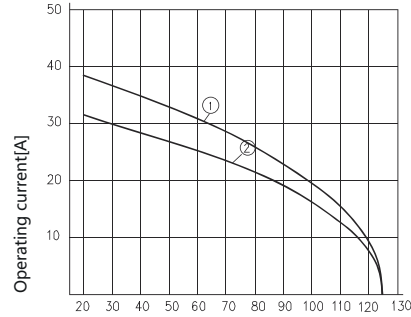
HMK-003 Parameters Of axial Crimping Module

standard	DIN EN 60 664 DIN EN 61 984
Insert	<ul style="list-style-type: none"> ※Number of connector pins 3 ※Rated voltage according to EN61 984 690V ※Rated current 40A ※Rated voltage 8KV ※Rated impulse voltage 3 ※Pollution degree 3 ※basisUL/CSARated voltage 600V ※insulation resistance $\geq 10^{10}\Omega$ ※Material Science Polycarbonate ※Operating temperature range $-40^{\circ}\text{C}\sim +125^{\circ}\text{C}$ ※Flame retardant grade V0 ※Pluggable times ≥ 500
Pin	<ul style="list-style-type: none"> ※Material Science copper alloy ※surface treatment plate with silver ※contact resistance $0.3\text{m}\Omega$ ※Cable strands according to IEC 60 228-5 ※Axial screw connection mm² 25-10mm² AWG 14-8

inner hexagon spanner	SW2
Strip length	
mm ²	2.5 4 6 10
mm	5 5 8 11
Tightening torque	
mm ²	2.5 4 6 10
Nm	1.5 1.5 2 2

Current Load Capacity

The limitation of current load capacity mainly comes from the test and control process of the maximum temperature that the connector including the contact pin can withstand according to DIN EN 605 12-5



Ambient temperature[°C]

- ①24B enclosure with 6 modules, conductor section:6mm²
- ②24B enclosure with 6 modules, conductor section:4mm²

HMK-003 Axial Crimp Type Module

Product Picture	Form	Product Size
	HMK-003.1-M(2.5-8mm ²) HMK-003.2-M(6-10mm ²)	
	HMK-003.1-F(2.5-8mm ²) HMK-003.2-F(6-10mm ²)	

Pump Accessories

tools	Description	Form Type
	For Axial Setscrew With Grip	BS-2C40



Heavy-Duty Connector

HMK-003

HMK-003 Cold Pressed Module Parameter

standard

DIN EN 60 664
DIN EN 61 984

Insert

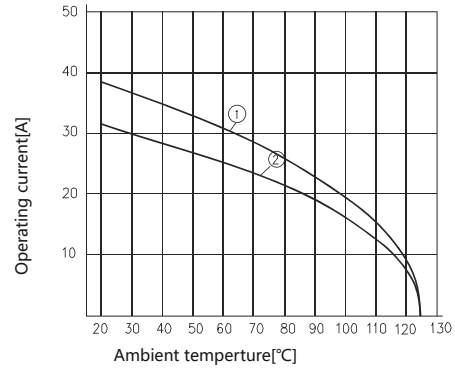
※Number of connector pins	3
※Rated voltage according to EN61 984	
※Rated current	40A
※Rated voltage	400/690V
※Rated impulse voltage	6KV
※Pollution degree	3
※basisUL/CSA的Rated voltage	600V
※basisUL/CSA的Rated current	32A
※insulation resistance	≥10 ¹⁰ Ω
※Material Science	polycarbonate
※Operating temperature range	-40°C~+125°C
※Flame retardant grade	V0
※Pluggable times	≥500

Pin

※Material Science	copper alloy
※surface treatment	plate with silver
※contact resistance	≤0.3mΩ
※Cold pressed connection	
mm ²	1.5-10mm ²
AWG	16-8

Current Load Capacity

The limitation of current load capacity mainly comes from the test and control process of the maximum temperature that the connector including the contact pin can withstand according to DIN EN 605 12-5



①24B enclosure with 6 modules, conductor section:6mm²
②24B enclosure with 6 modules, conductor section:4mm²

HMK-003 Cold Pressed Module

Product Picture	Form	Product Size
	HMK-003-MC	
	HMK-003-FC	

40A Cold Pressing Pins

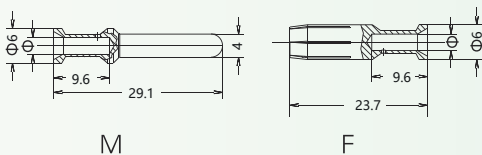


plate with silver

Cable section	Strip length	Φ	Female needle model	Male needle model	
1.5mm ²	AWG 16	9mm	1.75	CCSF-1.5	CCSM-1.5
2.5mm ²	AWG 14	9mm	2.25	CCSF-2.5	CCSM-2.5
4mm ²	AWG 12	9.6mm	2.85	CCSF-4.0	CCSM-4.0
6mm ²	AWG 10	9.6mm	3.5	CCSF-6.0	CCSM-6.0



Heavy-Duty Connector

HMK-003/4

HMK-003/4 Cold Pressed

standard

DIN EN 60 664
DIN EN 61 984

Insert

- ※Number of connector pins 3/4
- ※Rated voltage according to EN61 984
- ※Power area
 - Rated current 40A
 - Rated voltage 830V
 - Rated impulse voltage 8KV
 - Pollution degree 3
- ※Signal area
 - Rated current 10A
 - Rated voltage 830V
 - Rated impulse voltage 8KV
 - Pollution degree 3
- ※Rated voltage according to UI600V
- ※insulation resistance $\geq 10^9 \Omega$
- ※Material Science Polycarbonate
- ※Operating temperature range $-40^{\circ}\text{C} \sim +125^{\circ}\text{C}$
- ※Flame retardant grade V0
- ※Pluggable times ≥ 500

Pin

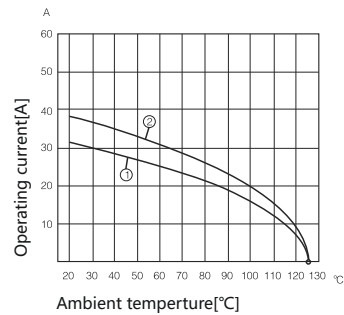
- ※Material Science copper alloy
- ※surface treatment plate with silver
gold-plated

※contact resistance

- Power area $\leq 0.3\text{m}\Omega$
- Signal area $\leq 3\text{m}\Omega$
- ※Cold pressing and cold connection
- ※mm²
 - Power area 1.5-6mm²
 - Signal area 0.14-2.5mm²
- ※AWG
 - Power area 16-10
 - Signal area 26-14
- ※Maximum cable diameter
 - Power area 5mm

Current Load Capacity

The limitation of current load capacity mainly comes from the test and control process of the maximum temperature that the connector including the contact pin can withstand according to DIN EN 605 12-5



- ①24B enclosure with 6 modules, conductor section:4mm²
- ②24B enclosure with 6 modules, conductor section:6mm²

HMK-003/4 Cold Pressed Module

Product Picture	Form	Product Size
	HMK-003/4-MC	
	HMK-003/4-FC	

40A Cold Pressing Pins

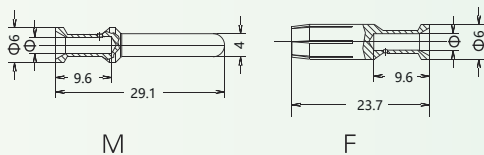


plate with silver

Cable section	Strip length	Φ	Female needle model	Male needle model	
1.5mm ²	AWG 16	9mm	1.75	CCSF-1.5	CCSM-1.5
2.5mm ²	AWG 14	9mm	2.25	CCSF-2.5	CCSM-2.5
4mm ²	AWG 12	9.6mm	2.85	CCSF-4.0	CCSM-4.0
6mm ²	AWG 10	9.6mm	3.5	CCSF-6.0	CCSM-6.0



Data ,CAD,3D document please refer to: WWW.VELLEDQ.COM

Heavy-Duty Connector

HMK-004

HMK-004 Cold Pressed Module Parameter

standard

DIN EN 60 664
DIN EN 61 984

Insert

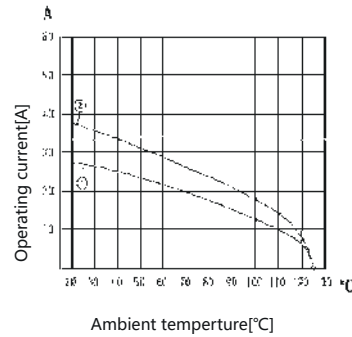
※Number of connector pins	4
※Rated voltage according to EN61 984	
※Rated current	40A
※Rated voltage	830V
※Rated impulse voltage	8KV
※Pollution degree	3
※basisUL的Rated voltage	600V
※insulation resistance	≥10 ⁹ Ω
※Material Science	polycarbonate
※Operating temperature range	-40°C~+125°C
※Flame retardant grade	V0
※Pluggable times	≥500

Pin

※Material Science	copper alloy
※surface treatment	plate with silver
※contact resistance	≤0.3mΩ
※Cold pressed connection	
mm ²	1.5-6mm ²
AWG	16-10

Current Load Capacity

The limitation of current load capacity mainly comes from the test and control process of the maximum temperature that the connector including the contact pin can withstand according to DIN EN 605 12-5



- ①24B enclosure with 6 modules, conductor section:4mm²
- ②24B enclosure with 6 modules, conductor section:6mm²

HMK-004 Cold Pressed Module

Product Picture	Form	Product Size
	HMK-004-MC	
	HMK-004-FC	

40A Cold Pressing Pins

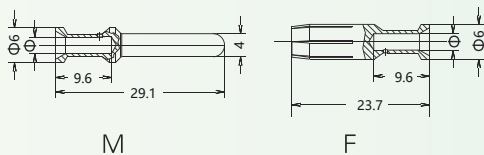


plate with silver

Cable section	Strip length	Φ	Female needle model	Male needle model	
1.5mm ²	AWG 16	9mm	1.75	CCSF-1.5	CCSM-1.5
2.5mm ²	AWG 14	9mm	2.25	CCSF-2.5	CCSM-2.5
4mm ²	AWG 12	9.6mm	2.85	CCSF-4.0	CCSM-4.0
6mm ²	AWG 10	9.6mm	3.5	CCSF-6.0	CCSM-6.0



Heavy-Duty Connector

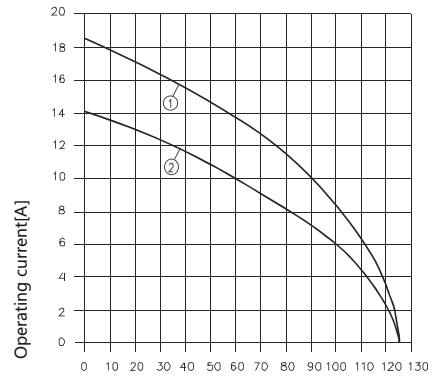
● HME-005

HME-005 Parameters Of Spring Type Module

standard	DIN EN 60 664 DIN EN 61 984
Insert	<ul style="list-style-type: none"> ※Number of connector pins 5 ※Rated voltage according to EN61 984 ※Rated current 16A ※Rated voltage 400V ※Rated impulse voltage 6KV ※Pollution degree 3 ※According to UL/CSA rated voltage 600V ※insulation resistance $\geq 10^{10}\Omega$ ※Material Science polycarbonate ※Operating temperature range $-40^{\circ}\text{C} \sim +125^{\circ}\text{C}$ ※Flame retardant grade V0 ※Pluggable times ≥ 500
Pin	<ul style="list-style-type: none"> ※Material Science copper alloy ※surface treatment plate with silver ※contact resistance $0.3\text{m}\Omega$ ※Cable strands according to IEC 60 228-5 ※Axial screw connection mm² 25-10mm² AWG 26-14

Current Load Capacity

The limitation of current load capacity mainly comes from the maximum temperature that the connector containing the contact pin can withstand Test and control process according to DIN EN 605 12-5



Ambient temperature[°C]

①24B enclosure with 6 modules, conductor section:2.5mm²

②24B enclosure with 6 modules, conductor section:1.5mm²

HME-005 Spring Type Module

Product Picture	Form	Product Size
<p>Shrapnel connection</p>	HME-005-MS	<p>M</p>
	HME-005-FS	<p>F</p>



Heavy-Duty Connector

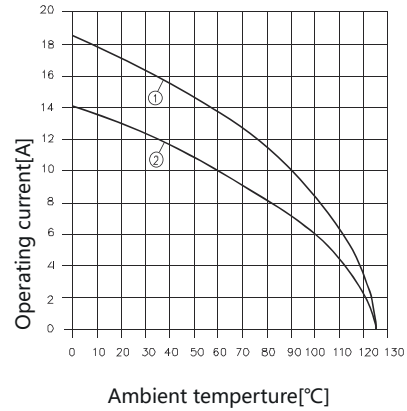
HME-006

HME-006 Parameters Of Cold Pressed Module

standard	DIN EN 60 664 DIN EN 61 984
Insert	<ul style="list-style-type: none"> ※Number of connector pins 6 ※Rated voltage according to EN61 984 ※Rated current 16A ※Rated current 500V ※Rated voltage 6KV ※Rated impulse voltage 3 ※Pollution degree 600V ※insulation resistance $\geq 10^{10}\Omega$ ※insulation resistance polycarbonate ※Material Science $-40^{\circ}\text{C}\sim+125^{\circ}\text{C}$ ※Operating temperature range V0 ※Flame retardant grade ≥ 500 ※Pluggable times
Pin	<ul style="list-style-type: none"> ※Material Science copper alloy ※surface treatment plate with silver gold-plated ※contact resistance $\leq 1\text{m}\Omega$ ※Cold pressed connection $0.14\text{-}4\text{mm}^2$ mm² 26-12 AWG

Current Load Capacity

The limitation of current load capacity mainly comes from the maximum temperature that the connector containing the contact pin can withstand Test and control process according to DIN EN 605 12-5



①24B enclosure with 6 modules, conductor section:2.5mm²
②24B enclosure with 6 modules, conductor section:1.5mm²

HME-006 Cold Pressed Module

Product Picture	Form	Product Size
<p>Cold crimping</p>	<p>HME-006-MC</p> <p>HME-006-FC</p>	

16A Cold Pressing Pins

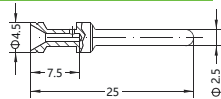
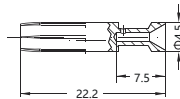


plate with silver

Cable section	Strip length	Female needle model	Male needle model	
014-0.37mm ²	AWG 26-22	7.5mm	CESF-0.37	CESM-0.37
0.5mm ²	AWG 20	7.5mm	CESF-0.5	CESM-0.5
0.75mm ²	AWG 18	7.5mm	CESF-0.75	CESM-0.75
1.0mm ²	AWG 18	7.5mm	CESF-1.0	CESM-1.0
1.5mm ²	AWG 16	7.5mm	CESF-1.5	CESM-1.5
2.5mm ²	AWG 14	7.5mm	CESF-2.5	CESM-2.5
3.0mm ²	AWG 12	7.5mm	CESF-3.0	CESM-3.0
4.0mm ²	AWG 12	7.5mm	CESF-4.0	CESM-4.0



gold-plated

Cable section	Strip length	Female needle model	Male needle model	
014-0.37mm ²	AWG 26-22	7.5mm	CEGF-0.37	CEGM-0.37
0.5mm ²	AWG 20	7.5mm	CEGF-0.5	CEGM-0.5
0.75mm ²	AWG 18	7.5mm	CEGF-0.75	CEGM-0.75
1.0mm ²	AWG 18	7.5mm	CEGF-1.0	CEGM-1.0
1.5mm ²	AWG 16	7.5mm	CEGF-1.5	CEGM-1.5
2.5mm ²	AWG 14	7.5mm	CEGF-2.5	CEGM-2.5
3.0mm ²	AWG 12	7.5mm	CEGF-3.0	CEGM-3.0
4.0mm ²	AWG 12	7.5mm	CEGF-4.0	CEGM-4.0



Heavy-Duty Connector

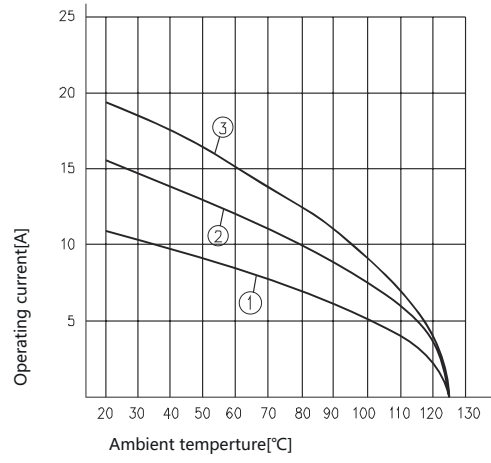
HVME-006

HVME-006 Protective Module Parameter

standard	DIN EN 60 664 DIN EN 61 984
Insert	<ul style="list-style-type: none"> ※Number of connector pins 6 ※Rated voltage according to EN61 984 ※Rated current 16A ※Rated voltage 830V ※Rated impulse voltage 8KV ※Pollution degree 3 ※Rated voltage according to UL 600V ※insulation resistance $\geq 10^{10}\Omega$ ※Material Science Polycarbonate ※Operating temperature range $-40^{\circ}\text{C}\sim+125^{\circ}\text{C}$ ※Flame retardant grade V0 ※Pluggable times ≥ 500
Pin	<ul style="list-style-type: none"> ※Material Science copper alloy plate with silver ※surface treatment gold-plated ※contact resistance $\leq 1\text{m}\Omega$ ※Cold pressed connection mm^2 0.14-4mm^2 AWG 26-12

Current Load Capacity

The limitation of current load capacity mainly comes from the maximum temperature that the connector containing the contact pin can withstand Test and control process according to DIN EN 605 12-5

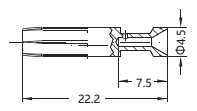
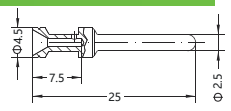


①24B enclosure with 6 modules, conductor section:1.5mm²
 ②24B enclosure with 6 modules, conductor section:2.5mm²
 ③24B enclosure with 6 modules, conductor section:4.0mm²

HVME-006 Protective Module

Product Picture	Form	Product Size
Cold crimping 	HVME-006-MC	
	HVME-006-FC	

16A Cold Pressing Pins



Cable section	Strip length	Female needle model	Male needle model	
014-0.37mm ²	AWG 26-22	7.5mm	CESF-0.37	CESM-0.37
0.5mm ²	AWG 20	7.5mm	CESF-0.5	CESM-0.5
0.75mm ²	AWG 18	7.5mm	CESF-0.75	CESM-0.75
1.0mm ²	AWG 18	7.5mm	CESF-1.0	CESM-1.0
1.5mm ²	AWG 16	7.5mm	CESF-1.5	CESM-1.5
2.5mm ²	AWG 14	7.5mm	CESF-2.5	CESM-2.5
3.0mm ²	AWG 12	7.5mm	CESF-3.0	CESM-3.0
4.0mm ²	AWG 12	7.5mm	CESF-4.0	CESM-4.0

Cable section	Strip length	Female needle model	Male needle model	
014-0.37mm ²	AWG 26-22	7.5mm	CEGF-0.37	CEGM-0.37
0.5mm ²	AWG 20	7.5mm	CEGF-0.5	CEGM-0.5
0.75mm ²	AWG 18	7.5mm	CEGF-0.75	CEGM-0.75
1.0mm ²	AWG 18	7.5mm	CEGF-1.0	CEGM-1.0
1.5mm ²	AWG 16	7.5mm	CEGF-1.5	CEGM-1.5
2.5mm ²	AWG 14	7.5mm	CEGF-2.5	CEGM-2.5
3.0mm ²	AWG 12	7.5mm	CEGF-3.0	CEGM-3.0
4.0mm ²	AWG 12	7.5mm	CEGF-4.0	CEGM-4.0



Data ,CAD,3D document please refer to: WWW.VELLEDQ.COM

Heavy-Duty Connector

● HMEE-008

HMEE-008 Parameters Of Cold Pressed Module

standard	DIN EN 60 664 DIN EN 61 984
Insert	※Number of connector pins 8 ※Rated voltage according to EN61 984 ※Rated current 16A ※Rated voltage 400V ※Rated impulse voltage 6KV ※Pollution degree 3 ※basisUL的Rated voltage 600V ※insulation resistance $\geq 10^{10}\Omega$ ※Material Science polycarbonate ※Operating temperature range $-40^{\circ}\text{C} \sim +125^{\circ}\text{C}$ ※Flame retardant grade V0 ※Pluggable times ≥ 500
Pin	※Material Science copper alloy ※surface treatment plate with silver gold-plated ※contact resistance $\leq 1\text{m}\Omega$ ※Cold pressed connection mm ² 0.14-4mm ² AWG 26-12

HMEE-008 Cold Pressed Module

Product Picture	Form	Product Size
	HMEE-008-MC HMEE-008-FC	

16A Cold Pressing Pins

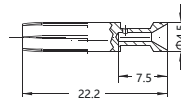
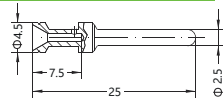


plate with silver

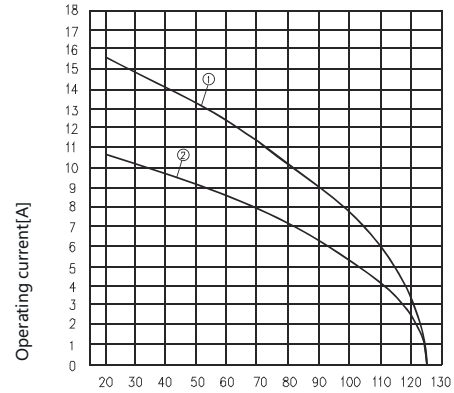
Cable section	Strip length	Female needle model	Male needle model	
014-0.37mm ²	AWG 26-22	7.5mm	CESF-0.37	CESM-0.37
0.5mm ²	AWG 20	7.5mm	CESF-0.5	CESM-0.5
0.75mm ²	AWG 18	7.5mm	CESF-0.75	CESM-0.75
1.0mm ²	AWG 18	7.5mm	CESF-1.0	CESM-1.0
1.5mm ²	AWG 16	7.5mm	CESF-1.5	CESM-1.5
2.5mm ²	AWG 14	7.5mm	CESF-2.5	CESM-2.5
3.0mm ²	AWG 12	7.5mm	CESF-3.0	CESM-3.0
4.0mm ²	AWG 12	7.5mm	CESF-4.0	CESM-4.0

gold-plated

Cable section	Strip length	Female needle model	Male needle model	
014-0.37mm ²	AWG 26-22	7.5mm	CEGF-0.37	CEGM-0.37
0.5mm ²	AWG 20	7.5mm	CEGF-0.5	CEGM-0.5
0.75mm ²	AWG 18	7.5mm	CEGF-0.75	CEGM-0.75
1.0mm ²	AWG 18	7.5mm	CEGF-1.0	CEGM-1.0
1.5mm ²	AWG 16	7.5mm	CEGF-1.5	CEGM-1.5
2.5mm ²	AWG 14	7.5mm	CEGF-2.5	CEGM-2.5
3.0mm ²	AWG 12	7.5mm	CEGF-3.0	CEGM-3.0
4.0mm ²	AWG 12	7.5mm	CEGF-4.0	CEGM-4.0

Current Load Capacity

The limitation of current load capacity mainly comes from the maximum temperature that the connector containing the contact pin can withstand Test and control process according to DIN EN 605 12-5



Ambient temperature[°C]

①24B enclosure with 6 modules, conductor section:2.5mm²

②24B enclosure with 6 modules, conductor section:1.5mm²



Heavy-Duty Connector



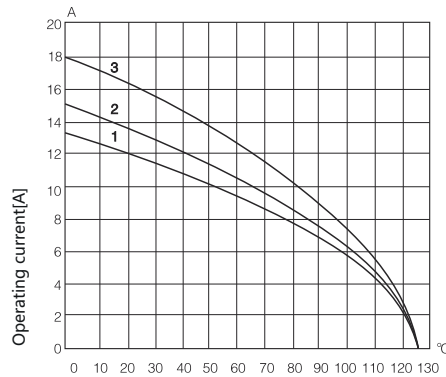
H2MEE-020

H2MEE-020 Cold Pressed Module Parameter

standard	DIN EN 60 664 DIN EN 61 984
Insert	<ul style="list-style-type: none"> ※Number of connector pins 20 ※Rated voltage according to EN61 984 ※Rated current 16A ※Rated voltage 500V ※Rated impulse voltage 6KV ※Pollution degree 3 ※Rated voltage according to UL 600V ※insulation resistance $\geq 10^{10}\Omega$ ※Material Science Polycarbonate ※Operating temperature range $-40^{\circ}\text{C}\sim+125^{\circ}\text{C}$ ※Flame retardant grade V0 ※Pluggable times ≥ 500
Pin	<ul style="list-style-type: none"> ※Material Science copper alloy ※surface treatment plate with silver gold-plated ※contact resistance $\leq 1\text{m}\Omega$ ※Cold pressed connection mm^2 0.14-4mm^2 AWG 26-12

Current Load Capacity

The limitation of current load capacity mainly comes from the maximum temperature that the connector containing the contact pin can withstand Test and control process according to DIN EN 605 12-5



Ambient temperature[°C]

- ①24B enclosure with 6 modules, conductor section:1.5mm²
- ②24B enclosure with 6 modules, conductor section:2.5mm²
- ③24B enclosure with 6 modules, conductor section:4.0mm²

H2MEE-020 Cold Pressed Module

Product Picture	Form	Product Size
	H2MEE-020-MC	
	H2MEE-020-FC	

16A Cold Pressing Pins

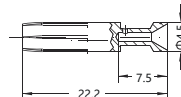
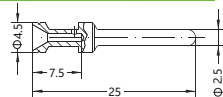


plate with silver

Cable section	Strip length	Female needle model	Male needle model	
014-0.37mm ²	AWG 26-22	7.5mm	CESF-0.37	CESM-0.37
0.5mm ²	AWG 20	7.5mm	CESF-0.5	CESM-0.5
0.75mm ²	AWG 18	7.5mm	CESF-0.75	CESM-0.75
1.0mm ²	AWG 18	7.5mm	CESF-1.0	CESM-1.0
1.5mm ²	AWG 16	7.5mm	CESF-1.5	CESM-1.5
2.5mm ²	AWG 14	7.5mm	CESF-2.5	CESM-2.5
3.0mm ²	AWG 12	7.5mm	CESF-3.0	CESM-3.0
4.0mm ²	AWG 12	7.5mm	CESF-4.0	CESM-4.0

gold-plated

Cable section	Strip length	Female needle model	Male needle model	
014-0.37mm ²	AWG 26-22	7.5mm	CEGF-0.37	CEGM-0.37
0.5mm ²	AWG 20	7.5mm	CEGF-0.5	CEGM-0.5
0.75mm ²	AWG 18	7.5mm	CEGF-0.75	CEGM-0.75
1.0mm ²	AWG 18	7.5mm	CEGF-1.0	CEGM-1.0
1.5mm ²	AWG 16	7.5mm	CEGF-1.5	CEGM-1.5
2.5mm ²	AWG 14	7.5mm	CEGF-2.5	CEGM-2.5
3.0mm ²	AWG 12	7.5mm	CEGF-3.0	CEGM-3.0
4.0mm ²	AWG 12	7.5mm	CEGF-4.0	CEGM-4.0



Data ,CAD,3D document please refer to: WWW.VELLEDQ.COM

Heavy-Duty Connector



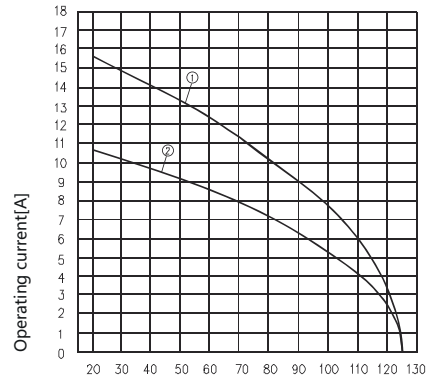
HMD-012

HMD-012 Spring clip Module Parameter

standard	DIN EN 60 664 DIN EN 61 984
Insert	※Number of connector pins 12 ※Rated voltage according to EN61 984 ※Rated current 10A ※Rated voltage 250V ※Rated impulse voltage 4KV ※Pollution degree 3 ※Rated voltage according to UL 600V ※insulation resistance $\geq 10^{10}\Omega$ ※Material Science Polycarbonate ※Operating temperature range $-40^{\circ}\text{C}\sim+125^{\circ}\text{C}$ ※Flame retardant grade V0 ※Pluggable times ≥ 500
Pin	※Material Science copper alloy ※surface treatment plate with silver gold-plated ※contact resistance $\leq 3\text{m}\Omega$ ※Cold pressed connection mm ² 0.14-2.5mm ² AWG 26-14

Current Load Capacity

The limitation of current load capacity mainly comes from the maximum temperature that the connector containing the contact pin can withstand Test and control process according to DIN EN 605 12-5



Ambient temperature[°C]

- ①24B enclosure with 6 modules, conductor section:2.5mm²
- ②24B enclosure with 6 modules, conductor section:1.5mm²

HMD-012 Spring clip Module

Product Picture	Form	Product Size
Spring clip crimping 	HMD-012-MS HMD-012 -FS	

10ACold Pressing Pins

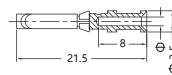
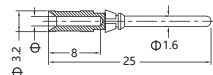


plate with silver

Cable section	Strip length	Φ	Female needle model	Male needle model	
014-0.37mm ²	AWG 26-22	8mm	0.9	CDSF-0.37	CDSM-0.37
0.5mm ²	AWG 20	8mm	1.1	CDSF-0.5	CDSM-0.5
0.75mm ²	AWG 18	8mm	1.3	CDSF-0.75	CDSM-0.75
1.0mm ²	AWG 18	8mm	1.45	CDSF-1.0	CDSM-1.0
1.5mm ²	AWG 16	8mm	1.75	CDSF-1.5	CDSM-1.5
2.5mm ²	AWG 14	8mm	2.25	CDSF-2.5	CDSM-2.5

gold-plated

Cable section	Strip length	Φ	Female needle model	Male needle model	
014-0.37mm ²	AWG 26-22	8mm	0.9	CDGF-0.37	CDGM-0.37
0.5mm ²	AWG 20	8mm	1.1	CDGF-0.5	CDGM-0.5
0.75mm ²	AWG 18	8mm	1.3	CDGF-0.75	CDGM-0.75
1.0mm ²	AWG 18	8mm	1.45	CDGF-1.0	CDGM-1.0
1.5mm ²	AWG 16	8mm	1.75	CDGF-1.5	CDGM-1.5
2.5mm ²	AWG 14	8mm	2.25	CDGF-2.5	CDGM-2.5



Heavy-Duty Connector

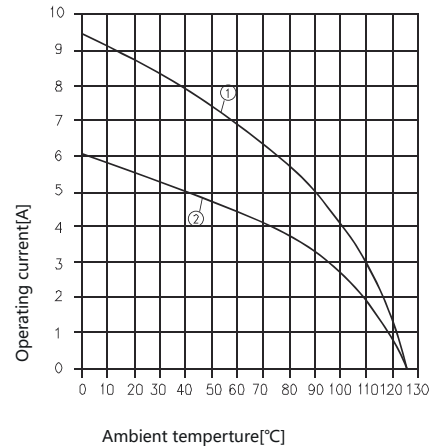
HMDD-017

HMDD-017 Cold Pressed Module Parameter

standard	
DIN EN 60 664 DIN EN 61 984	
Insert	
※Number of connector pins	17
※Rated voltage according to EN61 984	
※Rated current	10A
※Rated voltage	160V
※Rated impulse voltage	2.5KV
※Pollution degree	3
※Rated voltage according to UL	250V
※Insulation resistance	≥10 ¹⁰ Ω
※Material Science	polycarbonate
※Operating temperature range	-40°C~+125°C
※Flame retardant grade	V0
※Pluggable times	≥500
Pin	
※Material Science	copper alloy
※surface treatment	plate with silver gold-plated
※contact resistance	≤3mΩ
※Cold pressed connection	
mm ²	0.14-2.5mm ²
AWG	26-14

Current Load Capacity

The limitation of current load capacity mainly comes from the maximum temperature that the connector containing the contact pin can withstand Test and control process according to DIN EN 605 12-5



Ambient temperature[°C]
 ①24B enclosure with 6 modules,conductor section:1.5mm²
 ②24B enclosure with 6 modules,conductor section:1.0mm²

HMDD-017 Cold Pressed Module

Product Picture	Form	Product Size
Cold crimping 	HMDD-017-MC	M
	HMDD-017-FC	F

10A Cold Pressing Pins

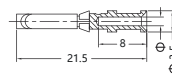
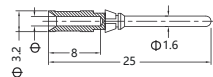


plate with silver

Cable section	Strip length	Φ	Female needle model	Male needle model	
014-0.37mm ²	AWG 26-22	8mm	0.9	CDSF-0.37	CDSM-0.37
0.5mm ²	AWG 20	8mm	1.1	CDSF-0.5	CDSM-0.5
0.75mm ²	AWG 18	8mm	1.3	CDSF-0.75	CDSM-0.75
1.0mm ²	AWG 18	8mm	1.45	CDSF-1.0	CDSM-1.0
1.5mm ²	AWG 16	8mm	1.75	CDSF-1.5	CDSM-1.5
2.5mm ²	AWG 14	8mm	2.25	CDSF-2.5	CDSM-2.5

gold-plated

Cable section	Strip length	Φ	Female needle model	Male needle model	
014-0.37mm ²	AWG 26-22	8mm	0.9	CDGF-0.37	CDGM-0.37
0.5mm ²	AWG 20	8mm	1.1	CDGF-0.5	CDGM-0.5
0.75mm ²	AWG 18	8mm	1.3	CDGF-0.75	CDGM-0.75
1.0mm ²	AWG 18	8mm	1.45	CDGF-1.0	CDGM-1.0
1.5mm ²	AWG 16	8mm	1.75	CDGF-1.5	CDGM-1.5
2.5mm ²	AWG 14	8mm	2.25	CDGF-2.5	CDGM-2.5



Heavy-Duty Connector

HMDS-009

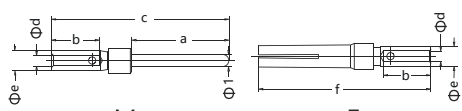
HMDS-009 D-Sub Module Parameters

standard	
DIN EN 60 664 DIN EN 61 984	
Insert	
※Number of connector pins	9
※Rated voltage according to EN61 984	
※Rated current	5A
※Rated voltage	50V
※Rated impulse voltage	0.8KV
※Pollution degree	3
※Rated voltage according to UL	250V
※insulation resistance	$\geq 10^{10}\Omega$
※Material Science	Polycarbonate
※Operating temperature range	-40°C~+125°C
※Flame retardant grade	V0
※Pluggable times	≥ 500
Pin	
※Material Science	copper alloy
※surface treatment	plate with silver gold-plated
※contact resistance	$\leq 3m\Omega$
※Cold pressed connection	
mm ²	0.09-0.82mm ²
AWG	28-18

HMDS-009 D-Sub Module

Product Picture	Form	Product Size
	HMDS-009-MC	
	HMDS-009-FC	

5A Cold Pressing Pins



a	b	c	d	e	f
8.23	4.2	14.0	1.35	1.75	13.6
8.10	4.0	14.8	1.12	1.66	14.4
8.10	4.0	14.8	0.90	1.66	14.4
8.10	4.0	14.8	0.64	1.66	14.4

gold-plated

Cable section	Strip length	Female needle model	Male needle model	
0.09-0.25mm ²	AWG 28-24	5mm	CSGF-0.25	CSGM-0.25
0.13-0.33mm ²	AWG 26-22	5mm	CSGF-0.33	CSGM-0.33
0.33-0.52mm ²	AWG 22-20	5mm	CSGF-0.52	CSGM-0.52
0.33-0.82mm ²	AWG 22-18	5mm	CSGF-0.82	CSGM-0.82

plate with silver

Cable section	Strip length	Female needle model	Male needle model	
0.09-0.25mm ²	AWG 28-24	5mm	CSSF-0.25	CSSM-0.25
0.13-0.33mm ²	AWG 26-22	5mm	CSSF-0.33	CSSM-0.33
0.33-0.52mm ²	AWG 22-20	5mm	CSSF-0.52	CSSM-0.52
0.33-0.82mm ²	AWG 22-18	5mm	CSSF-0.82	CSSM-0.82



Heavy-Duty Connector

HMDS-025

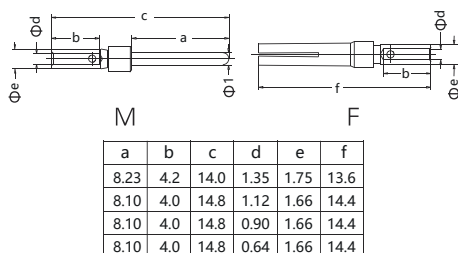
HMDS-025 High Density Module Parameters

standard	DIN EN 60 664 DIN EN 61 984
Insert	<ul style="list-style-type: none"> ※Number of connector pins 25 ※Rated voltage according to EN61 984 ※Rated current 4A ※Rated voltage 50V ※Rated impulse voltage 0.8KV ※Pollution degree 3 ※insulation resistance $\geq 10^{10}\Omega$ ※Material Science polycarbonate ※Operating temperature range $-40^{\circ}\text{C}\sim+125^{\circ}\text{C}$ ※Flame retardant grade V0 ※Pluggable times ≥ 500
Pin	<ul style="list-style-type: none"> ※Material Science copper alloy ※surface treatment plate with silver gold-plated ※contact resistance $\leq 3\text{m}\Omega$ ※Cold pressed connection mm² 0.09-0.52mm² AWG 28-20

HMDS-025 High Density Module

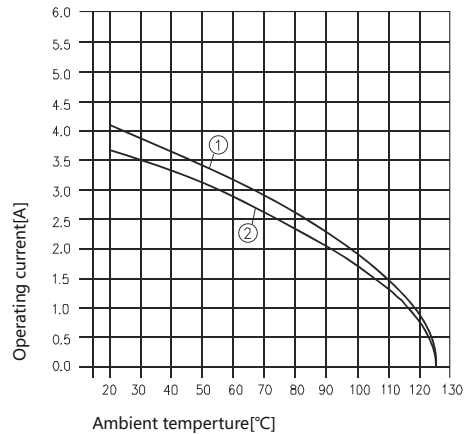
Product Picture	Form	Product Size
	HMDS-025-MC	
	HMDS-025-FC	

5A Cold Pressing Pins



Current Load Capacity

The limitation of current load capacity mainly comes from the maximum temperature that the connector containing the contact pin can withstand Test and control process according to DIN EN 605 12-5



①24B enclosure with 6 modules, conductor section:0.5mm²(turning needle)
②24B enclosure with 6 modules, conductor section:0.5mm²(stamping needle)

gold-plated

Cable section	Strip length	Female needle model	Male needle model	
0.09-0.25mm ²	AWG 28-24	5mm	CSGF-0.25	CSGM-0.25
0.13-0.33mm ²	AWG 26-22	5mm	CSGF-0.33	CSGM-0.33
0.33-0.52mm ²	AWG 22-20	5mm	CSGF-0.52	CSGM-0.52
0.33-0.82mm ²	AWG 22-18	5mm	CSGF-0.82	CSGM-0.82

plate with silver

Cable section	Strip length	Female needle model	Male needle model	
0.09-0.25mm ²	AWG 28-24	5mm	CSSF-0.25	CSSM-0.25
0.13-0.33mm ²	AWG 26-22	5mm	CSSF-0.33	CSSM-0.33
0.33-0.52mm ²	AWG 22-20	5mm	CSSF-0.52	CSSM-0.52
0.33-0.82mm ²	AWG 22-18	5mm	CSSF-0.82	CSSM-0.82



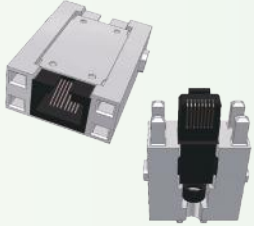
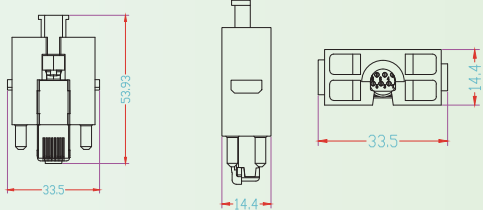
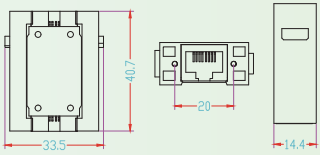
Heavy-Duty Connector

● **HM-RJ45**

HM-RJ45 Module Parameters

standard	
DIN EN 60 664 DIN EN 61 984	
Insert	
※Number of connector pins	8
※Rated voltage according to EN61 984	
※Rated current	1A
※Rated voltage	50V
※Rated impulse voltage	0.8KV
※Pollution degree	3
※Rated voltage according to UL	<30V
※insulation resistance	≥10 ¹⁰ Ω
※Material Science	Polycarbonate
※Operating temperature range	-40°C~+85°C
※Flame retardant grade	V0
※Pluggable times	≥500

HM-RJ45 Module

Product Picture	Form	Product Size
<p>Insert Used for connecting cable</p> 	<p>HM-RJ45-M</p>	
	<p>HM-RJ45-F</p>	



Heavy-Duty Connector

● **HM-USB**


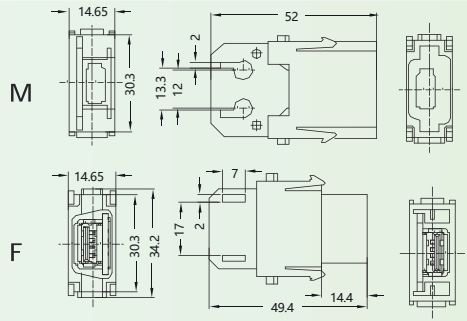
HM-USB Modular

standard
 DIN EN 60 664
 DIN EN 61 984

Insert

※Number of connector pins	4
※Rated voltage according to EN61 984	
※Rated current	1A
※Rated voltage	50V
※Rated impulse voltage	0.8KV
※Pollution degree	3
※Rated voltage according to UL	<30V
※insulation resistance	≥10 ¹⁰ Ω
※Material Science	Polycarbonate
※Operating temperature range	-40°C~+125°C
※Flame retardant grade	V0
※Pluggable times	≥500

HM-USB Modular

Product Picture	Form	Product Size
Insert Used for connecting cable 	HM-USB-M HM-USB-F	



Heavy-Duty Connector

HMP-002

HMP-002 Pneumatic Module Parameters

standard

DIN EN 60 664
DIN EN 61 984

Insert

- ※Number of connector pins 2
- ※Material Science Polycarbonate
- ※Operating temperature range -40°C~+80°C
- ※Flame retardant grade V0
- ※Pluggable times ≥500

Pin

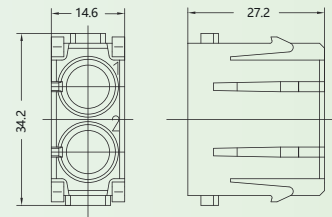
- ※Material Science Delrin Acetal
- ※colour Black
- ※Hose connection internal diameter 6.0mm/1/4"
- ※working pressure (Up To) 8 Bar/116 Psi
- ※seal ring Material Science Buna-n
- ※Locking valve Polypropylen
- Material Science

HMP-002 Pneumatic Module



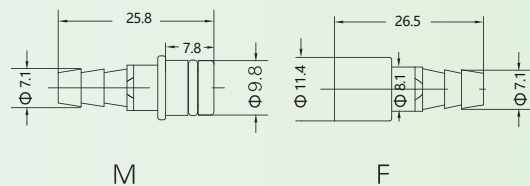
Description

Form Type
HMP-002

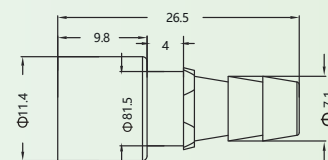


Pump Accessories

Hose Connector inner diameter (ID)	Description	Category	ID	Form Type
	Without Shut Off	Male	3.0mm	PCM-3.0
			4.0mm	PCM-4.0
			6.0mm	PCM-6.0
	Without Shut Off	Female	3.0mm	PCF-3.0
			4.0mm	PCF-4.0
			6.0mm	PCF-6.0



Hose Connector inner diameter(ID)	Description	Category	ID	Form Type
	With Shut Off	Female	3.0mm	PCFS-3.0
			4.0mm	PCFS-4.0
			6.0mm	PCFS-6.0



Heavy-Duty Connector

HMP-003

HMP-003 Pneumatic Module Parameters

standard

DIN EN 60 664
DIN EN 61 984

Insert

- ※Number of connector pins 3
- ※Material Science Polycarbonate
- ※Operating temperature range -40°C~+80°C
- ※Flame retardant grade V0
- ※Pluggable times ≥500

Pin

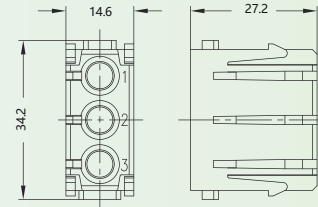
- ※Material Science Delrin Acetal
- ※colour Black
- ※Hose connection internal diameter 1.6mm/1/16"
3mm
4mm/1/8"
- ※working pressure maximum(Up To) 8 Bar/116 Psi
- ※seal ring Material Science NBR Buna-n
- ※Locking valve Material Science Polypropylen

HMP-003 Pneumatic Module



Description

Form Type
HMP-003

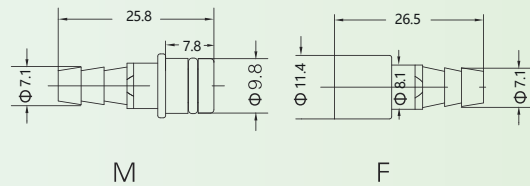


Pump Accessories

Hose Connector inner diameter (ID)



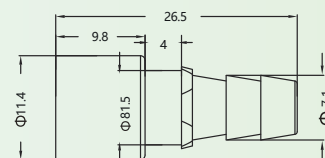
Description	Category	ID	Form Type
Without Shut Off	Male	3.0mm	PCM-3.0
		4.0mm	PCM-4.0
		6.0mm	PCM-6.0
Without Shut Off	Female	3.0mm	PCF-3.0
		4.0mm	PCF-4.0
		6.0mm	PCF-6.0



Hose Connector inner diameter (ID)



Description	Category	ID	Form Type
With Shut Off	Female	3.0mm	PCFS-3.0
		4.0mm	PCFS-4.0
		6.0mm	PCFS-6.0



Heavy-Duty Connector



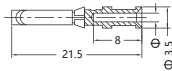
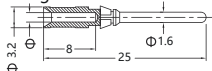
Electromagnetic shielding module

Magnetic Shielding Module Insert

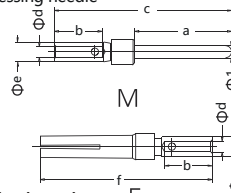
Product Picture	Form	Product Size
<p>Cold pressed wiring</p>	H2M-002-M	
	H2M-002-F	
<p>10A cold pressing needle shall be ordered separately Cable diameter 3mm-9.5mm</p>	EMC-004-MC	<p>Including 3-6 and 6-9.5mm diameter clamps</p>
	EMC-004-FC	
<p>5A cold pressing needle shall be ordered separately Cable diameter 3mm-9.5mm</p>	EMC-008-MC	<p>Including 3-6 and 6-9.5mm diameter clamps</p>
	EMC-008-FC	

10A/5A Cold Pressing Pins

10A Cold pressing needle



5A Cold pressing needle



a	b	c	d	e	f
8.23	4.2	14.0	1.35	1.75	13.6
8.10	4.0	14.8	1.12	1.66	14.4
8.10	4.0	14.8	0.90	1.66	14.4
8.10	4.0	14.8	0.64	1.66	14.4

plate with silver

Cable section	Strip length	Φ	Female needle model	Male needle model
014-0.37mm ²	AWG 26-22	8mm	CDSF-0.37	CDSM-0.37
0.5mm ²	AWG 20	8mm	CDSF-0.5	CDSM-0.5
0.75mm ²	AWG 18	8mm	CDSF-0.75	CDSM-0.75
1.0mm ²	AWG 18	8mm	CDSF-1.0	CDSM-1.0
1.5mm ²	AWG 16	8mm	CDSF-1.5	CDSM-1.5
2.5mm ²	AWG 14	8mm	CDSF-2.5	CDSM-2.5

gold-plated

Cable section	Strip length	Φ	Female needle model	Male needle model
014-0.37mm ²	AWG 26-22	8mm	CDGF-0.37	CDGM-0.37
0.5mm ²	AWG 20	8mm	CDGF-0.5	CDGM-0.5
0.75mm ²	AWG 18	8mm	CDGF-0.75	CDGM-0.75
1.0mm ²	AWG 18	8mm	CDGF-1.0	CDGM-1.0
1.5mm ²	AWG 16	8mm	CDGF-1.5	CDGM-1.5
2.5mm ²	AWG 14	8mm	CDGF-2.5	CDGM-2.5

gold-plated

Cable section	Strip length	Female needle model	Male needle model
0.09-0.25mm ²	AWG 28-24	5mm	CSGF-0.25
0.13-0.33mm ²	AWG 26-22	5mm	CSGF-0.33
0.33-0.52mm ²	AWG 22-20	5mm	CSGF-0.52
0.33-0.82mm ²	AWG 22-18	5mm	CSGF-0.82

plate with silver

Cable section	Strip length	Female needle model	Male needle model
0.09-0.25mm ²	AWG 28-24	5mm	CSSF-0.25
0.13-0.33mm ²	AWG 26-22	5mm	CSSF-0.33
0.33-0.52mm ²	AWG 22-20	5mm	CSSF-0.52
0.33-0.82mm ²	AWG 22-18	5mm	CSSF-0.82



Heavy-Duty Connector

● electricMagnetic shielding module

Magnetic Shielding Module Insert

Product Picture	Form	Product Size
<p>Cold pressed wiring</p>	<p>H3A-001-M</p> <p>H3A-001-F</p>	
<p>Impedance 75 Ω 10A cold pressing needle shall be ordered separately Cable diameter 3mm-9.5mm</p>	<p>EMC-001-MC</p> <p>EMC-001-FC</p>	
<p>Impedance 50 Ω 16A cold pressing needle shall be ordered separately Cable diameter 3mm-9.5mm</p>	<p>EMC-001-MC/E</p> <p>EMC-001-FC/E</p>	

10A/5ACold Pressing Pins

10ACold pressing needle



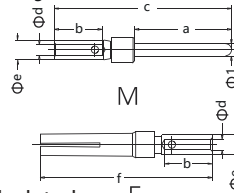
plate with silver

Cable section	Strip length	Φ	Female needle model	Male needle model	
014-0.37mm ²	AWG 26-22	8mm	0.9	CDSF-0.37	CDSM-0.37
0.5mm ²	AWG 20	8mm	1.1	CDSF-0.5	CDSM-0.5
0.75mm ²	AWG 18	8mm	1.3	CDSF-0.75	CDSM-0.75
1.0mm ²	AWG 18	8mm	1.45	CDSF-1.0	CDSM-1.0
1.5mm ²	AWG 16	8mm	1.75	CDSF-1.5	CDSM-1.5
2.5mm ²	AWG 14	8mm	2.25	CDSF-2.5	CDSM-2.5

gold-plated

Cable section	Strip length	Φ	Female needle model	Male needle model	
014-0.37mm ²	AWG 26-22	8mm	0.9	CDGF-0.37	CDGM-0.37
0.5mm ²	AWG 20	8mm	1.1	CDGF-0.5	CDGM-0.5
0.75mm ²	AWG 18	8mm	1.3	CDGF-0.75	CDGM-0.75
1.0mm ²	AWG 18	8mm	1.45	CDGF-1.0	CDGM-1.0
1.5mm ²	AWG 16	8mm	1.75	CDGF-1.5	CDGM-1.5
2.5mm ²	AWG 14	8mm	2.25	CDGF-2.5	CDGM-2.5

5ACold pressing needle



a	b	c	d	e	f
8.23	4.2	14.0	1.35	1.75	13.6
8.10	4.0	14.8	1.12	1.66	14.4
8.10	4.0	14.8	0.90	1.66	14.4
8.10	4.0	14.8	0.64	1.66	14.4

gold-plated

Cable section	Strip length	Female needle model	Male needle model	
0.09-0.25mm ²	AWG 28-24	5mm	CSGF-0.25	CSGM-0.25
0.13-0.33mm ²	AWG 26-22	5mm	CSGF-0.33	CSGM-0.33
0.33-0.52mm ²	AWG 22-20	5mm	CSGF-0.52	CSGM-0.52
0.33-0.82mm ²	AWG 22-18	5mm	CSGF-0.82	CSGM-0.82

Cable section	Strip length	Female needle model	Male needle model	
0.09-0.25mm ²	AWG 28-24	5mm	CSSF-0.25	CSSM-0.25
0.13-0.33mm ²	AWG 26-22	5mm	CSSF-0.33	CSSM-0.33
0.33-0.52mm ²	AWG 22-20	5mm	CSSF-0.52	CSSM-0.52
0.33-0.82mm ²	AWG 22-18	5mm	CSSF-0.82	CSSM-0.82



Heavy-Duty Connector

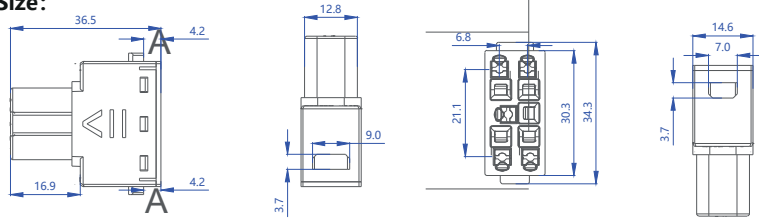
● Connection mode display

5-core Insert Spring Connection



HME-005-FS HME-005-MS

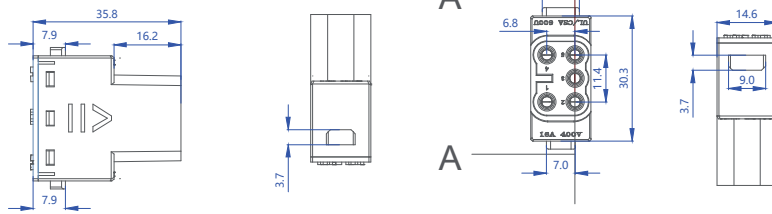
Product Size:



HME-005-FS



Splicing diagram



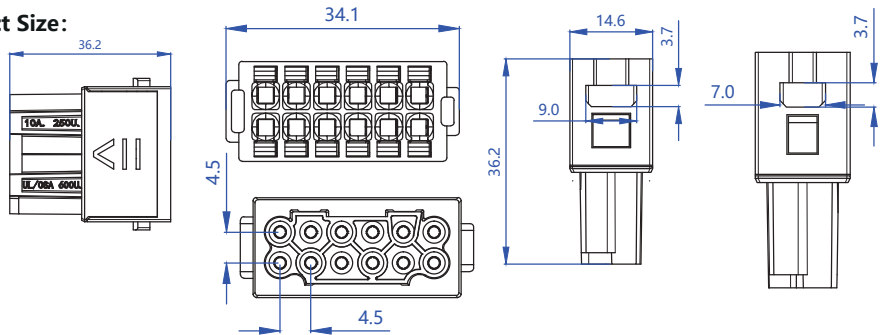
HME-005-MS

5-core Insert Spring Connection



HMD-012-FS HMD-012-MS

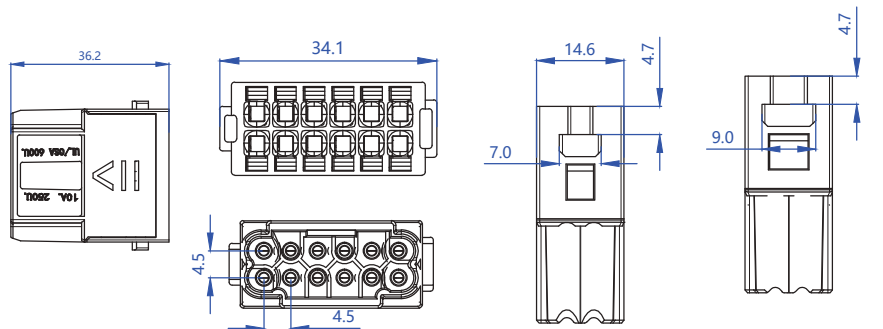
Product Size:



HMD-012-FS



Splicing diagram



HMD-012-MS



Heavy-Duty Connector

HMSC-004 SC Optical fiber module

Insert technology parameter

standard/authentication

standard authentication

Insert

Number of connector pins	4
insertion loss	< 0.5 dB
Material Science	polycarbonate
Operating temperature range	-40 °C ... +85 °C
Flame retardant rating according to UL 94	V 0
Pluggable times	≥ 500

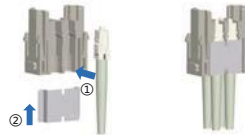


Can be combined with the framework and all other module products

DIN EN 60 664
DIN EN 61 984

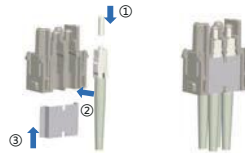
Assembly instructions

HMSC-004-MC



Step 1: Install the SC optical fiber jumper into the corresponding groove of the module;
Step 2: Push the fixing piece up slightly along the opening slot at the bottom of the module to cover the SC optical fiber, until the notch of the fixing sheet is clamped into the module; installation is complete

HMSC-004-FC



Step 1: Put the positioning sleeve onto the core of SC optical fiber jumper, and press it down until it contacts;
Step 2: Install the SC optical fiber jumper into the corresponding groove of the module;
Step 3: Push the fixing piece up slightly along the opening slot at the bottom of the module to cover the SC optical fiber until the notch of the fixing sheet is clamped into the module; installation is complete

Optical fiber module SC optical fiber connector shall be ordered separately

	Insert	Form	Order No	
	Male	HMSC-004-MC	129 004 010 0091	M
	Female	HMSC-004-FC	129 004 020 0091	
				F

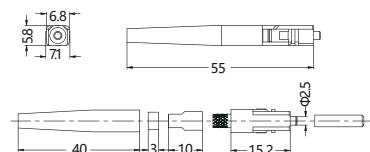
SC Optical fiber jumper¹⁾

SC Optical fiber jumper

Single mode: 9/125 μ m.
Applicable to GI fiber



describe	Form	Order No
Loose parts ²⁾	SC-PC/SM-3.0	295 000 001 0002
Jumper	PC-SC/UPC-SC/UPC-1.0(9/125μm-φ3.0)	906 010 000 0099
	PC-SC/UPC-SC/UPC-2.0(9/125μm-φ3.0)	906 010 000 0100

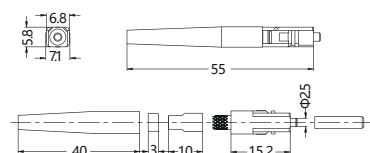


SC Optical fiber jumper

Multimode: 50/125 μ M or 62.5/125 μ m
Applicable to GI fiber



describe	Form	Order No
Loose parts ²⁾	SC-PC/MM-3.0	295 000 001 0001
Jumper	PC-SC/UPC-SC/UPC-1.0(50/125μm-φ3.0)	906 010 000 0097
	PC-SC/UPC-SC/UPC-2.0(50/125μm-φ3.0)	906 010 000 0098
	PC-SC/UPC-SC/UPC-1.0(62.5/125μm-φ3.0)	906 010 000 0095
	PC-SC/UPC-SC/UPC-2.0(62.5/125μm-φ3.0)	906 010 000 0096





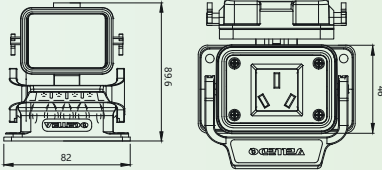


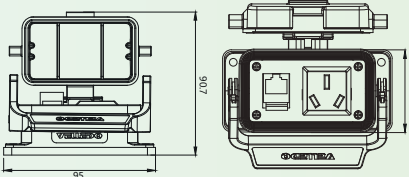
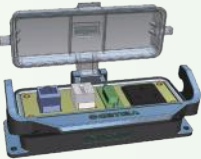

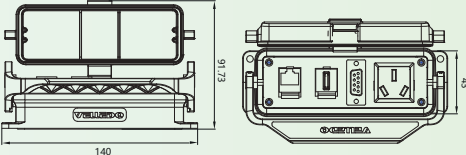
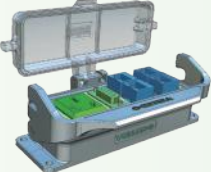

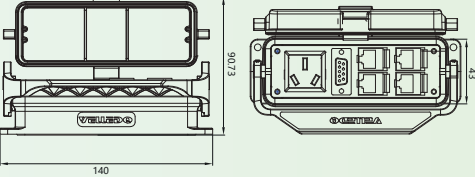


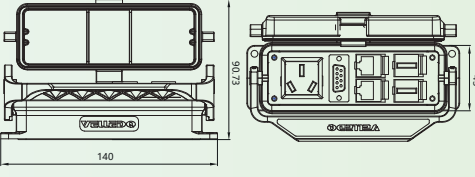


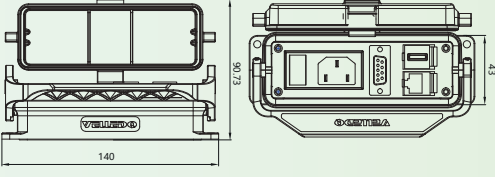


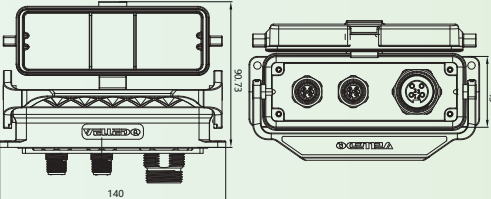
1) Different specifications and lengths of optical fiber jumpers for SC, FC, ST, LC, MTRJ can be customized.

2) The purchase of spare parts requires corresponding professional equipment.



Heavy-Duty Connector

● Heavy Duty Panel

Product Picture	Form	Product Size
 	H6B-K-1L-TX-MB-A1	
 	H10B-K-1L-TX-MB-A1	
 	H24B-K-1L-TX-MB-A1	
 	H24B-K-1L-TX-MB-A2	
 	H24B-K-1L-TX-MB-A3	
 	H24B-K-1L-TX-MB-A4	
 	H24B-K-1L-TX-MB-A5	



Heavy-Duty Connector

● Heavy Duty Panel



Heavy-Duty Connector

● Heavy duty housing

Standard plastic housing

Material	PC
Colour	Light grey(RAL 7032)
Locking element	
Lever type	lever,plastic
Material	polyamide
Hoods/Housings Sealing	NBR
Limiting Temperatures	-40~ +125°C
Flammability Acc. To UL94	V0
Degree of protection acc. to EN 60529 for coupled connector	IP65

Standard Hoods/Housings

Material	Aluminium die-cast
Colour	Grey
Locking element	
Lever type	Lever,metal
Material	stainless steel or steel zinc-plated
Hoods/Housings Sealing	NBR
Limiting temperatures	-40~ +125°C
Flammability acc. to UL94	V0
Degree of protection acc. to EN 60529 for coupled connector	IP65


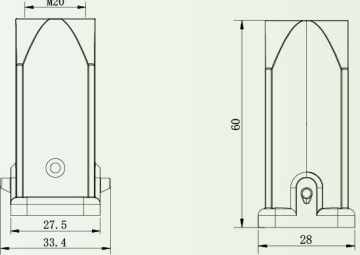
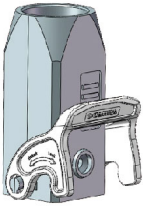
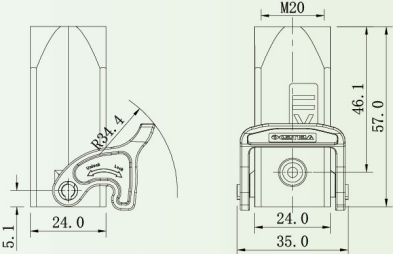
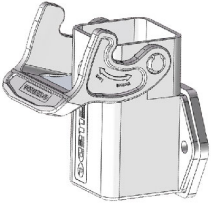
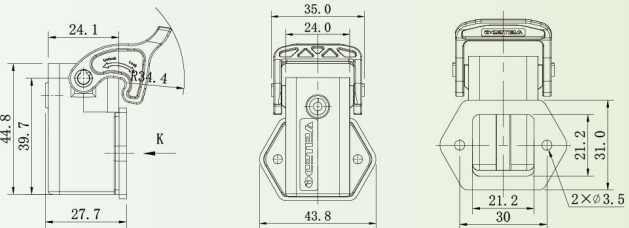
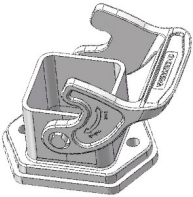
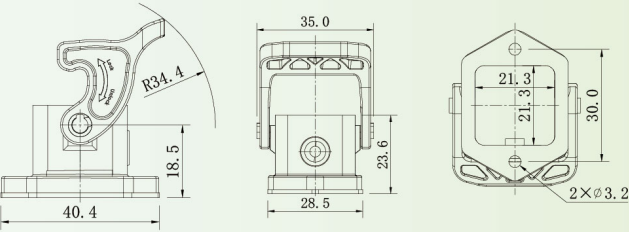
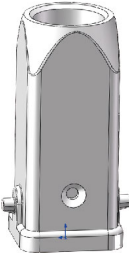
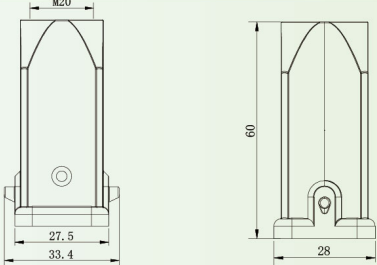
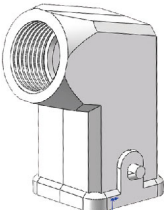
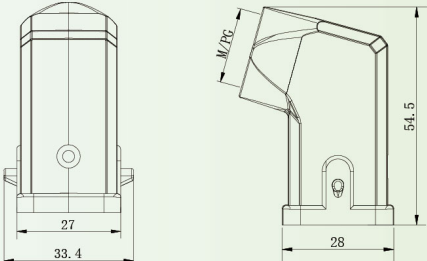
Hoods/Housings,pressure tight

Material	Aluminium die-cast,corrosion resistant
Colour	black or grey(RAL 9005 or 7037)
Locking element	
Lever type	Screw locking
Material	stainless steel
Hoods/Housings Sealing	NBR
Limiting temperatures	-40~ +125°C
Flammability acc. to UL94	V0
Degree of protection acc. to EN 60529 for coupled connector	IP68



Heavy-Duty Connector

■ Heavy duty housing

Product Picture	Form	Product Size
	<p>H3A.P-T-2B-M20 H3A.P-T-2B-PG11</p>	
	<p>H3A.P-CT-1L-M20 H3A.P-CT-1L-PG11</p>	
	<p>H3A.P-K-1L-S</p>	
	<p>H3A.P-K-1L</p>	
	<p>H3A-T-2B-M20 H3A-T-2B-PG11</p>	
	<p>H3A-S-2B-M20 H3A-S-2B-PG11</p>	



Heavy-Duty Connector

● Heavy duty housing

Product Picture	Form	Product Size
	<p>H3A-CT-1L-M20 H3A-CT-1L-PG11</p>	
	<p>H3A-K-1L</p>	
	<p>H3A-K-1L-MCV</p>	
	<p>H10A-T-2B-M20 H10A-T-2B-M25 H10A-T-2B-PG16 H10A-T-2B-PG21</p>	
	<p>H10A-S-2B-M20 H10A-S-2B-M25 H10A-S-2B-PG16 H10A-S-2B-PG21</p>	
	<p>H10A-K-1L</p>	



Heavy-Duty Connector

● Heavy duty housing

Product Picture	Form	Product Size
	<p>H10A-K-1L-CV H10A-K-1L-MCV</p>	
	<p>H10A-F-1L-M20 H10A-F-1L-2M20 H10A-F-1L-M25 H10A-F-1L-PG16 H10A-F-1L-2PG16 H10A-F-1L-PG21</p>	
	<p>H10A-F-1L-CV-M20 H10A-F-1L-CV-2M20 H10A-F-1L-CV-M25 H10A-F-1L-CV-PG16 H10A-F-1L-CV-2PG16 H10A-F-1L-CV-PG21</p>	
	<p>H16A-T-2B-M20 H16A-T-2B-M25 H16A-T-2B-PG16 H16A-T-2B-PG21</p>	
	<p>H16A-S-2B-M20 H16A-S-2B-M25 H16A-S-2B-PG16 H16A-S-2B-PG21</p>	
	<p>H16A-K-1L</p>	



Heavy-Duty Connector



● Heavy duty housing

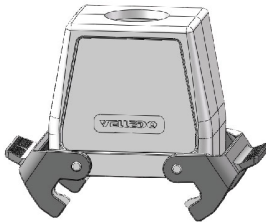
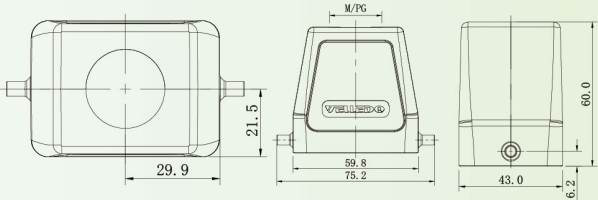

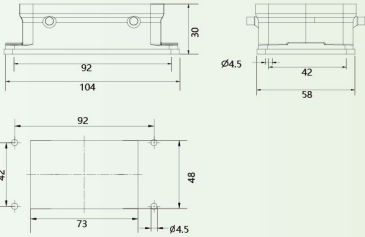

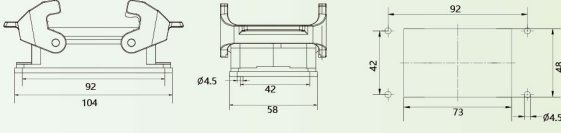



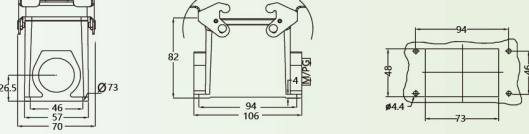

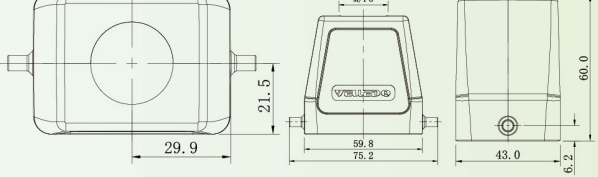
Product Picture	Form	Product Size
	<p>H16A-K-1L-CV H16A-K-1L-MCV</p>	
	<p>H16A-F-1L-2M20 H16A-F-1L-M25 H16A-F-1L-PG16 H16A-F-1L-2PG16 H16A-F-1L-PG21</p>	
	<p>H16A-F-1L-CV-2M20 H16A-F-1L-CV-M25 H16A-F-1L-CV-PG16 H16A-F-1L-CV-2PG16 H16A-F-1L-CV-PG21</p>	
	<p>H32A-T-4B-M25 H32A-T-4B-M32 H32A-T-4B-PG21 H32A-T-4B-PG29</p>	
	<p>H32A-S-4B-M25 H32A-S-4B-M32 H32A-S-4B-PG21 H32A-S-4B-PG29</p>	
	<p>H32A-T-2L-M25 H32A-T-2L-M32 H32A-T-2L-PG21 H32A-T-2L-PG29</p>	



Heavy-Duty Connector



● Heavy duty housing

Product Picture	Form	Product Size
	<p>H32A-S-2L-M25 H32A-S-2L-M32 H32A-S-2L-PG21 H32A-S-2L-PG29</p>	
	<p>H32A-K-4B</p>	
	<p>H32A-K-2L</p>	
	<p>H32A-K-4B-CV H32A-K-4B-MCV</p>	
	<p>H32A-F-2L-M25 H32A-F-2L-M32 H32A-F-2L-2M32 H32A-F-2L-PG21 H32A-F-2L-2PG21 H32A-F-2L-PG29 H32A-F-2L-2PG29</p>	
	<p>H6B-TH-2B-M20 H6B-TH-2B-M25 H6B-TH-2B-M32 H6B-TH-2B-PG13.5 H6B-TH-2B-PG16 H6B-TH-2B-PG21</p>	



Data ,CAD,3D document please refer to: WWW.VELLEDQ.COM

Heavy-Duty Connector

● Heavy duty housing

Product Picture	Form	Product Size
	<p>H6B-SH-2B-M20 H6B-SH-2B-M25 H6B-SH-2B-M32 H6B-SH-2B-PG13.5 H6B-SH-2B-PG16 H6B-SH-2B-PG21</p>	
	<p>H6B-CTH-1L-M25 H6B-CTH-1L-PG21</p>	
	<p>H6B-K-1L</p>	
	<p>H6B-K-1L-CV</p>	
	<p>H6B-F-1L-M20 H6B-F-1L-2M20 H6B-F-1L-M25 H6B-F-1L-2M25 H6B-F-1L-PG16 H6B-F-1L-2PG16</p>	
	<p>H6B-F-1L-CV-M20 H6B-F-1L-CV-2M20 H6B-F-1L-CV-M25 H6B-F-1L-CV-2M25 H6B-F-1L-CV-PG16 H6B-F-1L-CV-2PG16</p>	



Heavy-Duty Connector

6B High protective housing Degree of protection: IP68

<p>Upper shell Side outlet High structure</p> 	<table border="1"> <thead> <tr> <th>thread</th> <th>Form</th> <th>Order No</th> </tr> </thead> <tbody> <tr> <td>M20</td> <td>HP6B-SH-2S-M20</td> <td>115 006 520 5102</td> </tr> <tr> <td>M25</td> <td>HP6B-SH-2S-M25</td> <td>115 006 520 5103</td> </tr> <tr> <td>M32</td> <td>HP6B-SH-2S-M32</td> <td>115 006 520 5104</td> </tr> <tr> <td>PG16</td> <td>HP6B-SH-2S-PG16</td> <td>115 006 520 5110</td> </tr> <tr> <td>PG21</td> <td>HP6B-SH-2S-PG21</td> <td>115 006 520 5111</td> </tr> </tbody> </table>	thread	Form	Order No	M20	HP6B-SH-2S-M20	115 006 520 5102	M25	HP6B-SH-2S-M25	115 006 520 5103	M32	HP6B-SH-2S-M32	115 006 520 5104	PG16	HP6B-SH-2S-PG16	115 006 520 5110	PG21	HP6B-SH-2S-PG21	115 006 520 5111				
thread	Form	Order No																					
M20	HP6B-SH-2S-M20	115 006 520 5102																					
M25	HP6B-SH-2S-M25	115 006 520 5103																					
M32	HP6B-SH-2S-M32	115 006 520 5104																					
PG16	HP6B-SH-2S-PG16	115 006 520 5110																					
PG21	HP6B-SH-2S-PG21	115 006 520 5111																					
<p>Upper shell Jacking wire High structure</p> 	<table border="1"> <thead> <tr> <th>thread</th> <th>Form</th> <th>Order No</th> </tr> </thead> <tbody> <tr> <td>M20</td> <td>HP6B-TH-2S-M20</td> <td>115 006 420 5102</td> </tr> <tr> <td>M25</td> <td>HP6B-TH-2S-M25</td> <td>115 006 420 5103</td> </tr> <tr> <td>M32</td> <td>HP6B-TH-2S-M32</td> <td>115 006 420 5104</td> </tr> <tr> <td>PG16</td> <td>HP6B-TH-2S-PG16</td> <td>115 006 420 5110</td> </tr> <tr> <td>PG21</td> <td>HP6B-TH-2S-PG21</td> <td>115 006 420 5111</td> </tr> <tr> <td>PG29</td> <td>HP6B-TH-2S-PG29</td> <td>115 006 420 5112</td> </tr> </tbody> </table>	thread	Form	Order No	M20	HP6B-TH-2S-M20	115 006 420 5102	M25	HP6B-TH-2S-M25	115 006 420 5103	M32	HP6B-TH-2S-M32	115 006 420 5104	PG16	HP6B-TH-2S-PG16	115 006 420 5110	PG21	HP6B-TH-2S-PG21	115 006 420 5111	PG29	HP6B-TH-2S-PG29	115 006 420 5112	
thread	Form	Order No																					
M20	HP6B-TH-2S-M20	115 006 420 5102																					
M25	HP6B-TH-2S-M25	115 006 420 5103																					
M32	HP6B-TH-2S-M32	115 006 420 5104																					
PG16	HP6B-TH-2S-PG16	115 006 420 5110																					
PG21	HP6B-TH-2S-PG21	115 006 420 5111																					
PG29	HP6B-TH-2S-PG29	115 006 420 5112																					
<p>Lower shell of back cover High structure</p> 	<table border="1"> <thead> <tr> <th>thread</th> <th>Form</th> <th>Order No</th> </tr> </thead> <tbody> <tr> <td>M20</td> <td>HP6B-SH-2H-M20</td> <td>115 006 220 5002</td> </tr> <tr> <td>M25</td> <td>HP6B-SH-2H-M25</td> <td>115 006 220 5003</td> </tr> <tr> <td>M32</td> <td>HP6B-SH-2H-M32</td> <td>115 006 220 5004</td> </tr> <tr> <td>PG16</td> <td>HP6B-SH-2H-PG16</td> <td>115 006 220 5010</td> </tr> <tr> <td>PG21</td> <td>HP6B-SH-2H-PG21</td> <td>115 006 220 5011</td> </tr> </tbody> </table>	thread	Form	Order No	M20	HP6B-SH-2H-M20	115 006 220 5002	M25	HP6B-SH-2H-M25	115 006 220 5003	M32	HP6B-SH-2H-M32	115 006 220 5004	PG16	HP6B-SH-2H-PG16	115 006 220 5010	PG21	HP6B-SH-2H-PG21	115 006 220 5011				
thread	Form	Order No																					
M20	HP6B-SH-2H-M20	115 006 220 5002																					
M25	HP6B-SH-2H-M25	115 006 220 5003																					
M32	HP6B-SH-2H-M32	115 006 220 5004																					
PG16	HP6B-SH-2H-PG16	115 006 220 5010																					
PG21	HP6B-SH-2H-PG21	115 006 220 5011																					
<p>Unsealed lower shell</p> 	<table border="1"> <thead> <tr> <th>thread</th> <th>Form</th> <th>Order No</th> </tr> </thead> <tbody> <tr> <td>---</td> <td>HP6B-BK-2H</td> <td>115 006 320 1001</td> </tr> </tbody> </table>	thread	Form	Order No	---	HP6B-BK-2H	115 006 320 1001																
thread	Form	Order No																					
---	HP6B-BK-2H	115 006 320 1001																					
<p>Plastic protective cover</p> 	<table border="1"> <thead> <tr> <th>Wiring mode</th> <th>Form</th> <th>Order No</th> </tr> </thead> <tbody> <tr> <td>---</td> <td>HP6B-CV-2S/2</td> <td>115 006 020 8002</td> </tr> </tbody> </table>	Wiring mode	Form	Order No	---	HP6B-CV-2S/2	115 006 020 8002																
Wiring mode	Form	Order No																					
---	HP6B-CV-2S/2	115 006 020 8002																					



Heavy-Duty Connector




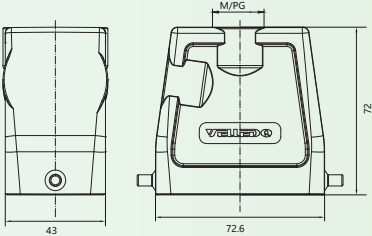

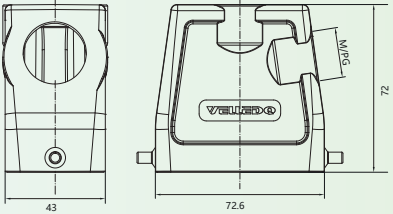

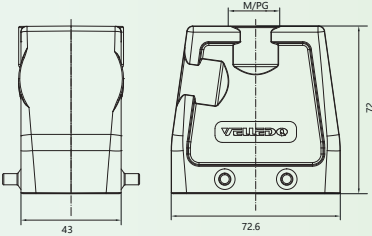

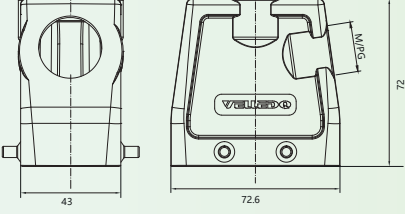

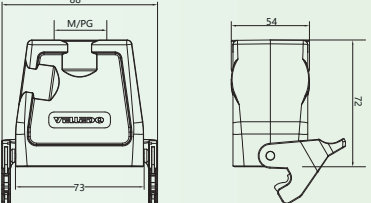

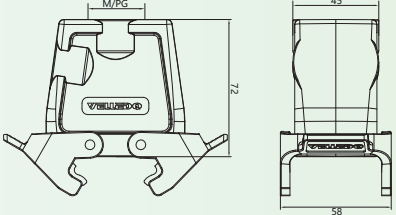
6B High protective housing Degree of protection : IP68

<p>Protective cover For lower shell</p> 	<table border="1"> <thead> <tr> <th>Wiring mode</th> <th>Form</th> <th>Order No</th> </tr> </thead> <tbody> <tr> <td></td> <td>Bolt interlock HP6B/H-CV-2S Axle pin interlock</td> <td>113 606 020 8101</td> </tr> <tr> <td></td> <td>HP6B/H-CV-2T</td> <td>113 606 040 8103</td> </tr> </tbody> </table>	Wiring mode	Form	Order No		Bolt interlock HP6B/H-CV-2S Axle pin interlock	113 606 020 8101		HP6B/H-CV-2T	113 606 040 8103																
Wiring mode	Form	Order No																								
	Bolt interlock HP6B/H-CV-2S Axle pin interlock	113 606 020 8101																								
	HP6B/H-CV-2T	113 606 040 8103																								
<p>Protective cover For Upper shell</p> 	<table border="1"> <thead> <tr> <th>Wiring mode</th> <th>Form</th> <th>Order No</th> </tr> </thead> <tbody> <tr> <td></td> <td>Bolt interlock HP6B/H-CV-2H/1 Axle pin interlock</td> <td>113 606 020 8111</td> </tr> <tr> <td></td> <td>HP6B/H-CV-2T/1</td> <td>113 606 040 8101</td> </tr> </tbody> </table>	Wiring mode	Form	Order No		Bolt interlock HP6B/H-CV-2H/1 Axle pin interlock	113 606 020 8111		HP6B/H-CV-2T/1	113 606 040 8101																
Wiring mode	Form	Order No																								
	Bolt interlock HP6B/H-CV-2H/1 Axle pin interlock	113 606 020 8111																								
	HP6B/H-CV-2T/1	113 606 040 8101																								
<p>Protective cover,For lower shell(IP5X)</p> 	<table border="1"> <thead> <tr> <th>Wiring mode</th> <th>Form</th> <th>Order No</th> </tr> </thead> <tbody> <tr> <td>---</td> <td>HP6B/H-CV/C</td> <td>113 006 900 8002</td> </tr> </tbody> </table>	Wiring mode	Form	Order No	---	HP6B/H-CV/C	113 006 900 8002																			
Wiring mode	Form	Order No																								
---	HP6B/H-CV/C	113 006 900 8002																								
<p>Degree of protection:IP68/IP69K (The following enclosures comply with China's rail transit industry standards)</p>																										
<p>Upper shell Side outlet High structure</p> 	<table border="1"> <thead> <tr> <th>thread</th> <th>Form</th> <th>Order No</th> </tr> </thead> <tbody> <tr> <td>M20</td> <td>HP6B/H-SH-4S-M20</td> <td>113 606 530 5002</td> </tr> <tr> <td>M25</td> <td>HP6B/H-SH-4S-M25</td> <td>113 606 530 5003</td> </tr> <tr> <td>M32</td> <td>HP6B/H-SH-4S-M32</td> <td>113 606 530 5004</td> </tr> <tr> <td>M40</td> <td>HP6B/H-SH-4S-M4 0</td> <td>113 606 530 5005</td> </tr> <tr> <td>PG16</td> <td>HP6B/H-SH-4S-PG16</td> <td>113 606 530 5010</td> </tr> <tr> <td>PG21</td> <td>HP6B/H-SH-4S-PG21</td> <td>113 606 530 5011</td> </tr> </tbody> </table>	thread	Form	Order No	M20	HP6B/H-SH-4S-M20	113 606 530 5002	M25	HP6B/H-SH-4S-M25	113 606 530 5003	M32	HP6B/H-SH-4S-M32	113 606 530 5004	M40	HP6B/H-SH-4S-M4 0	113 606 530 5005	PG16	HP6B/H-SH-4S-PG16	113 606 530 5010	PG21	HP6B/H-SH-4S-PG21	113 606 530 5011				
thread	Form	Order No																								
M20	HP6B/H-SH-4S-M20	113 606 530 5002																								
M25	HP6B/H-SH-4S-M25	113 606 530 5003																								
M32	HP6B/H-SH-4S-M32	113 606 530 5004																								
M40	HP6B/H-SH-4S-M4 0	113 606 530 5005																								
PG16	HP6B/H-SH-4S-PG16	113 606 530 5010																								
PG21	HP6B/H-SH-4S-PG21	113 606 530 5011																								
<p>Upper shell Jacking wire High structure</p> 	<table border="1"> <thead> <tr> <th>thread</th> <th>Form</th> <th>Order No</th> </tr> </thead> <tbody> <tr> <td>M20</td> <td>HP6B/H-TH-4S-M20</td> <td>113 606 430 5002</td> </tr> <tr> <td>M25</td> <td>HP6B/H-TH-4S-M25</td> <td>113 606 430 5003</td> </tr> <tr> <td>M32</td> <td>HP6B/H-TH-4S-M32</td> <td>113 606 430 5004</td> </tr> <tr> <td>M40</td> <td>HP6B/H-TH-4S-M40</td> <td>113 606 430 5005</td> </tr> <tr> <td>PG16</td> <td>HP6B/H-TH-4S-PG16</td> <td>113 606 430 5010</td> </tr> <tr> <td>PG21</td> <td>HP6B/H-TH-4S-PG21</td> <td>113 606 430 5011</td> </tr> <tr> <td>PG29</td> <td>HP6B/H-TH-4S-PG29</td> <td>113 606 430 5012</td> </tr> </tbody> </table>	thread	Form	Order No	M20	HP6B/H-TH-4S-M20	113 606 430 5002	M25	HP6B/H-TH-4S-M25	113 606 430 5003	M32	HP6B/H-TH-4S-M32	113 606 430 5004	M40	HP6B/H-TH-4S-M40	113 606 430 5005	PG16	HP6B/H-TH-4S-PG16	113 606 430 5010	PG21	HP6B/H-TH-4S-PG21	113 606 430 5011	PG29	HP6B/H-TH-4S-PG29	113 606 430 5012	
thread	Form	Order No																								
M20	HP6B/H-TH-4S-M20	113 606 430 5002																								
M25	HP6B/H-TH-4S-M25	113 606 430 5003																								
M32	HP6B/H-TH-4S-M32	113 606 430 5004																								
M40	HP6B/H-TH-4S-M40	113 606 430 5005																								
PG16	HP6B/H-TH-4S-PG16	113 606 430 5010																								
PG21	HP6B/H-TH-4S-PG21	113 606 430 5011																								
PG29	HP6B/H-TH-4S-PG29	113 606 430 5012																								
<p>Unsealed lower shell</p> 	<table border="1"> <thead> <tr> <th>thread</th> <th>Form</th> <th>Order No</th> </tr> </thead> <tbody> <tr> <td>---</td> <td>HP6B/H-BK-4H</td> <td>113 606 330 1001</td> </tr> </tbody> </table>	thread	Form	Order No	---	HP6B/H-BK-4H	113 606 330 1001	 <p>Panel hole drawing notes 1).When equipped with HC650 insert, the size is 43.</p>																		
thread	Form	Order No																								
---	HP6B/H-BK-4H	113 606 330 1001																								



Heavy-Duty Connector

● Heavy duty housing

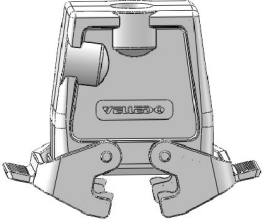
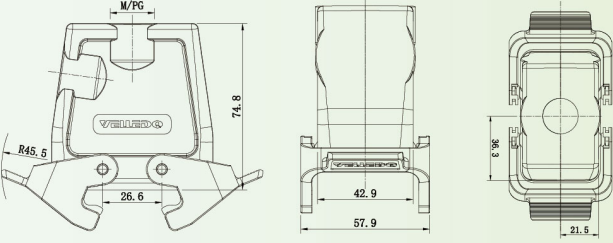
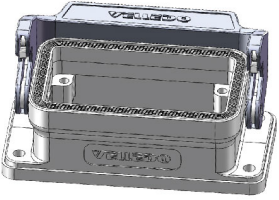
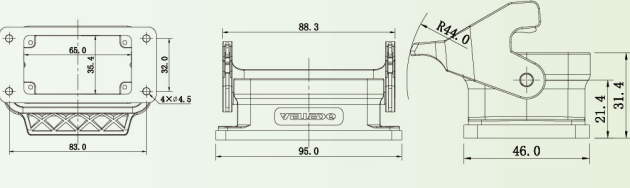
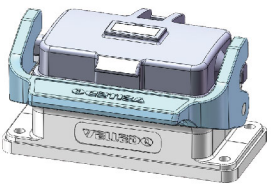
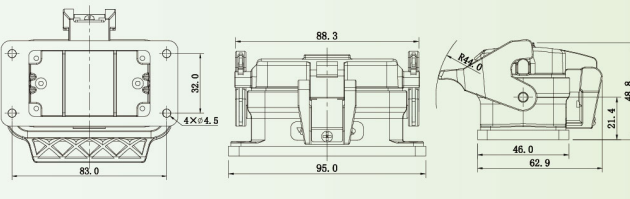
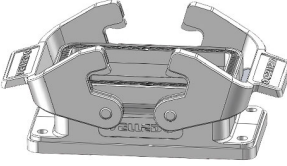
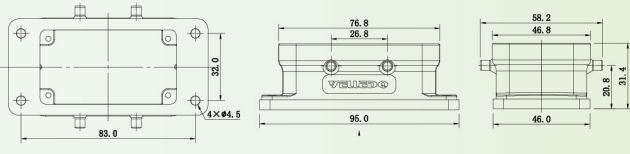
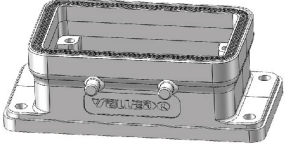
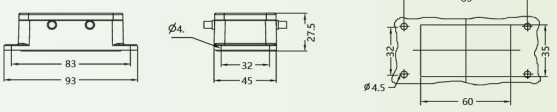

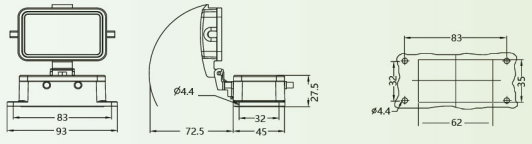
Product Picture	Form	Product Size
	<p>H10B-TH-2B-M20 H10B-TH-2B-M25 H10B-TH-2B-PG16 H10B-TH-2B-PG21</p>	
	<p>H10B-SH-2B-M20 H10B-SH-2B-M25 H10B-SH-2B-PG16 H10B-SH-2B-PG21</p>	
	<p>H10B-TH-4B-M20 H10B-TH-4B-M25 H10B-TH-4B-PG16 H10B-TH-4B-PG21</p>	
	<p>H10B-S-4B-M20 H10B-S-4B-M25 H10B-S-4B-PG16 H10B-S-4B-PG21</p>	
	<p>H10B-TH-1L-M25 H10B-TH-1L-PG21 H10B-TH-1L-M32 H10B-TH-1L-PG29</p>	
	<p>H10B-TH-2L-M25 H10B-TH-2L-PG21 H10B-TH-2L-M32 H10B-TH-2L-PG29</p>	



Heavy-Duty Connector



● Heavy duty housing

Product Picture	Form	Product Size
	<p>H10B-CTH-2L-M25 H10B-CTH-2L-PG21 H10B-CTH-2L-M32 H10B-CTH-2L-PG29</p>	
	<p>H10B-K-1L</p>	
	<p>H10B-K-1L-CV H10B-K-1L-MCV</p>	
	<p>H10B-K-2L</p>	
	<p>H10B-K-4B</p>	
	<p>H10B-K-4B-CV H10B-K-4B-MCV</p>	



Heavy-Duty Connector



● Heavy duty housing

Product Picture	Form	Product Size
	H10B-F-1L-M20 H10B-F-1L-2M20 H10B-F-1L-M25 H10B-F-1L-2M25 H10B-F-1L-PG16 H10B-F-1L-2PG16	
	H10B-F-1L-CV-M20 H10B-F-1L-CV-2M20 H10B-F-1L-CV-M25 H10B-F-1L-CV-2M25 H10B-F-1L-CV-PG16 H10B-F-1L-CV-2PG16	
	H10B-F-2L-M20 H10B-F-2L-2M20 H10B-F-2L-M25 H10B-F-2L-2M25 H10B-F-2L-PG16 H10B-F-2L-2PG16	
	H10B-F-4B-M20 H10B-F-4B-2M20 H10B-F-4B-M25 H10B-F-4B-2M25 H10B-F-4B-PG16 H10B-F-4B-2PG16	
	H10B-F-4B-CV-M20 H10B-F-4B-CV-2M20 H10B-F-4B-CV-M25 H10B-F-4B-CV-2M25 H10B-F-4B-CV-PG16	



Data ,CAD,3D document please refer to: WWW.VELLEDQ.COM

Heavy-Duty Connector

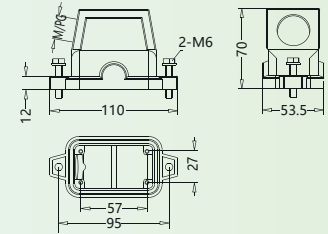


10B High protective housing Degree of protection: IP68/IP69K

Upper shell Side outlet High structure



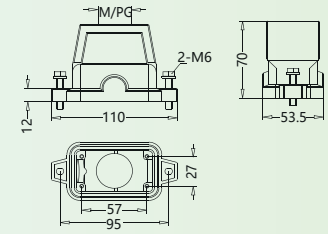
thread	Form	Order No
M20	HP10B-SH-2S-M20	115 010 520 5002
M25	HP10B-SH-2S-M25	115 010 520 5103
M32	HP10B-SH-2S-M32	115 010 520 5104
PG16	HP10B-SH-2S-PG16	115 010 520 5110
PG21	HP10B-SH-2S-PG21	115 010 520 5111



Upper shell Jacking wire High structure



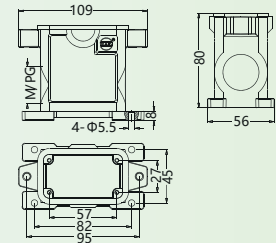
thread	Form	Order No
M20	HP10B-TH-2S-M20	115 010 420 5002
M25	HP10B-TH-2S-M25	115 010 420 5103
M32	HP10B-TH-2S-M32	115 010 420 5104
PG16	HP10B-TH-2S-PG16	115 010 420 5110
PG21	HP10B-TH-2S-PG21	115 010 420 5111
PG29	HP10B-TH-2S-PG29	115 010 420 5012



Lower shell of back cover High structure



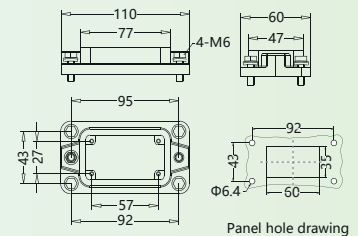
thread	Form	Order No
M20	HP10B-SH-2H-M20	115 010 220 5002
M25	HP10B-SH-2H-M25	115 010 220 5003
M32	HP10B-SH-2H-M32	115 010 220 5004
PG16	HP10B-SH-2H-PG16	115 010 220 5010
PG21	HP10B-SH-2H-PG21	115 010 220 5011



Unsealed lower shell



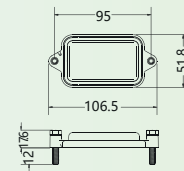
thread	Form	Order No
---	HP10B-BK-2H	115 010 320 1001



Plastic protective cover



Wiring mode	Form	Order No
---	HP10B-CV-2S/2	115 010 020 8002



Heavy-Duty Connector



10B High protective housing Degree of protection: IP68

<p>Protective cover For lower shell</p> 	<table border="1"> <thead> <tr> <th>Wiring mode</th> <th>Form</th> <th>Order No</th> </tr> </thead> <tbody> <tr> <td></td> <td>Bolt interlock</td> <td></td> </tr> <tr> <td></td> <td>HP10B/H-MCV-2S</td> <td>113 610 020 8101</td> </tr> <tr> <td></td> <td>HP10B/H-MCV-2T</td> <td>113 610 040 8103</td> </tr> </tbody> </table>	Wiring mode	Form	Order No		Bolt interlock			HP10B/H-MCV-2S	113 610 020 8101		HP10B/H-MCV-2T	113 610 040 8103													
Wiring mode	Form	Order No																								
	Bolt interlock																									
	HP10B/H-MCV-2S	113 610 020 8101																								
	HP10B/H-MCV-2T	113 610 040 8103																								
<p>Protective cover For Upper shell</p> 	<table border="1"> <thead> <tr> <th>Wiring mode</th> <th>Form</th> <th>Order No</th> </tr> </thead> <tbody> <tr> <td></td> <td>Bolt interlock</td> <td></td> </tr> <tr> <td></td> <td>HP10B/H-MCV-2H/1Axle pin interlock</td> <td>113 610 020 8111</td> </tr> <tr> <td></td> <td>HP10B/H-MCV-2T/1</td> <td>113 610 040 8101</td> </tr> </tbody> </table>	Wiring mode	Form	Order No		Bolt interlock			HP10B/H-MCV-2H/1Axle pin interlock	113 610 020 8111		HP10B/H-MCV-2T/1	113 610 040 8101													
Wiring mode	Form	Order No																								
	Bolt interlock																									
	HP10B/H-MCV-2H/1Axle pin interlock	113 610 020 8111																								
	HP10B/H-MCV-2T/1	113 610 040 8101																								
<p>Protective cover,For lower shell(IP5X)</p> 	<table border="1"> <thead> <tr> <th>Wiring mode</th> <th>Form</th> <th>Order No</th> </tr> </thead> <tbody> <tr> <td>---</td> <td>HP10B/H-CV/C</td> <td>113 010 900 8001</td> </tr> </tbody> </table>	Wiring mode	Form	Order No	---	HP10B/H-CV/C	113 010 900 8001																			
Wiring mode	Form	Order No																								
---	HP10B/H-CV/C	113 010 900 8001																								
<p>Degree of protection : IP68/IP69K (The following enclosures comply with China's rail transit industry standards)</p>																										
<p>Upper shell Side outlet High structure</p> 	<table border="1"> <thead> <tr> <th>thread</th> <th>Form</th> <th>Order No</th> </tr> </thead> <tbody> <tr> <td>M20</td> <td>HP10B/H-SH-4S-M20</td> <td>113 610 530 5002</td> </tr> <tr> <td>M25</td> <td>HP10B/H-SH-4S-M25</td> <td>113 610 530 5003</td> </tr> <tr> <td>M32</td> <td>HP10B/H-SH-4S-M32</td> <td>113 610 530 5004</td> </tr> <tr> <td>M40</td> <td>HP10B/H-SH-4S-M40</td> <td>113 610 530 5005</td> </tr> <tr> <td>PG16</td> <td>HP10B/H-SH-4S-PG16</td> <td>113 610 530 5010</td> </tr> <tr> <td>PG21</td> <td>HP10B/H-SH-4S-PG21</td> <td>113 610 530 5011</td> </tr> </tbody> </table>	thread	Form	Order No	M20	HP10B/H-SH-4S-M20	113 610 530 5002	M25	HP10B/H-SH-4S-M25	113 610 530 5003	M32	HP10B/H-SH-4S-M32	113 610 530 5004	M40	HP10B/H-SH-4S-M40	113 610 530 5005	PG16	HP10B/H-SH-4S-PG16	113 610 530 5010	PG21	HP10B/H-SH-4S-PG21	113 610 530 5011				
thread	Form	Order No																								
M20	HP10B/H-SH-4S-M20	113 610 530 5002																								
M25	HP10B/H-SH-4S-M25	113 610 530 5003																								
M32	HP10B/H-SH-4S-M32	113 610 530 5004																								
M40	HP10B/H-SH-4S-M40	113 610 530 5005																								
PG16	HP10B/H-SH-4S-PG16	113 610 530 5010																								
PG21	HP10B/H-SH-4S-PG21	113 610 530 5011																								
<p>Upper shell Jacking wire High structure</p> 	<table border="1"> <thead> <tr> <th>thread</th> <th>Form</th> <th>Order No</th> </tr> </thead> <tbody> <tr> <td>M20</td> <td>HP10B/H-TH-4S-M20</td> <td>113 610 430 5002</td> </tr> <tr> <td>M25</td> <td>HP10B/H-TH-4S-M25</td> <td>113 610 430 5003</td> </tr> <tr> <td>M32</td> <td>HP10B/H-TH-4S-M32</td> <td>113 610 430 5004</td> </tr> <tr> <td>M40</td> <td>HP10B/H-TH-4S-M40</td> <td>113 610 430 5005</td> </tr> <tr> <td>PG16</td> <td>HP10B/H-TH-4S-PG16</td> <td>113 610 430 5010</td> </tr> <tr> <td>PG21</td> <td>HP10B/H-TH-4S-PG21</td> <td>113 610 430 5011</td> </tr> <tr> <td>PG29</td> <td>HP10B/H-TH-4S-PG29</td> <td>113 610 430 5012</td> </tr> </tbody> </table>	thread	Form	Order No	M20	HP10B/H-TH-4S-M20	113 610 430 5002	M25	HP10B/H-TH-4S-M25	113 610 430 5003	M32	HP10B/H-TH-4S-M32	113 610 430 5004	M40	HP10B/H-TH-4S-M40	113 610 430 5005	PG16	HP10B/H-TH-4S-PG16	113 610 430 5010	PG21	HP10B/H-TH-4S-PG21	113 610 430 5011	PG29	HP10B/H-TH-4S-PG29	113 610 430 5012	
thread	Form	Order No																								
M20	HP10B/H-TH-4S-M20	113 610 430 5002																								
M25	HP10B/H-TH-4S-M25	113 610 430 5003																								
M32	HP10B/H-TH-4S-M32	113 610 430 5004																								
M40	HP10B/H-TH-4S-M40	113 610 430 5005																								
PG16	HP10B/H-TH-4S-PG16	113 610 430 5010																								
PG21	HP10B/H-TH-4S-PG21	113 610 430 5011																								
PG29	HP10B/H-TH-4S-PG29	113 610 430 5012																								
<p>Unsealed lower shell</p> 	<table border="1"> <thead> <tr> <th>thread</th> <th>Form</th> <th>Order No</th> </tr> </thead> <tbody> <tr> <td>---</td> <td>HP10B/H-BK-4H</td> <td>113 610 330 1001</td> </tr> </tbody> </table>	thread	Form	Order No	---	HP10B/H-BK-4H	113 610 330 1001																			
thread	Form	Order No																								
---	HP10B/H-BK-4H	113 610 330 1001																								



Data ,CAD,3D document please refer to: WWW.VELLEDQ.COM

Heavy-Duty Connector



● Heavy Duty Housing

Product Picture	Form	Product Size
	H16B-SH-2B-M32 H16B-SH-2B-M40 H16B-SH-2B-PG21 H16B-SH-2B-PG29	
	H16B-TH-4B-M32 H16B-TH-4B-M40 H16B-TH-4B-PG21 H16B-TH-4B-PG29	
	H16B-SH-4B-M25 H16B-SH-4B-M32 H16B-SH-4B-M40 H16B-SH-4B-PG21 H16B-SH-4B-PG29	
	H16B-TH-2L-M32 H16B-TH-2L-M40 H16B-TH-2L-PG21 H16B-TH-2L-PG29	
	H16B-CTH-2L-M25 H16B-CTH-2L-M32 H16B-CTH-2L-M40 H16B-CTH-2L-PG21 H16B-CTH-2L-PG29	
	H16B-SH-2L-M32 H16B-SH-2L-M40 H16B-SH-2L-PG21 H16B-SH-2L-PG29	



Heavy-Duty Connector



● Heavy Duty Housing

Product Picture	Form	Product Size
	H16B-K-1L	
	H16B-K-1L-CV H16B-K-1L-MCV	
	H16B-FH-1L-CV-M32 H16B-FH-1L-CV-2M32 H16B-FH-1L-CV-PG21 H16B-FH-1L-CV-2PG21 H16B-FH-1L-CV-PG29	
	H16B-K-2L	
	H16B-FH-2L-M32 H16B-FH-2L-2M32 H16B-FH-2L-PG21 H16B-FH-2L-2PG21 H16B-FH-2L-PG29 H16B-FH-2L-2PG29	
	H16B-K-4B	
	H16B-T-2B-M25 H16B-T-2B-M32 H16B-T-2B-M40 H16B-T-2B-PG21 H16B-T-2B-PG29	




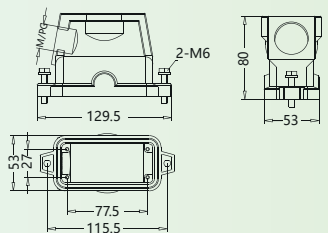

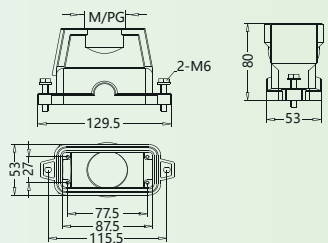

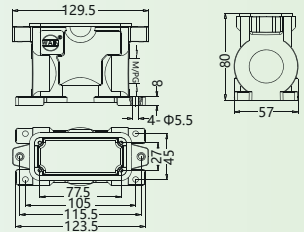

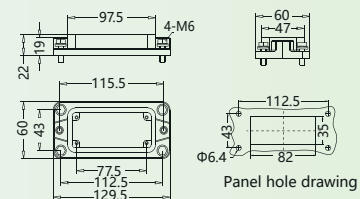

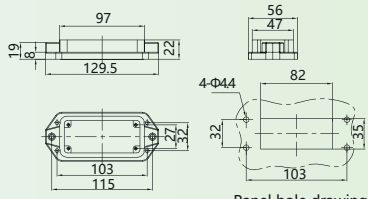
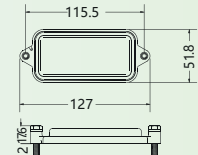
Communicate Now

Data ,CAD,3D document please refer to: WWW.VELLEDQ.COM

Heavy-Duty Connector



16B High protective housing Degree of protection : IP68


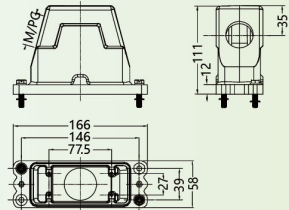

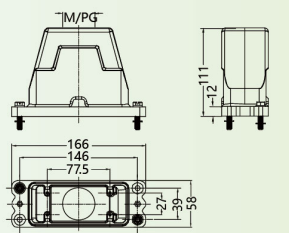

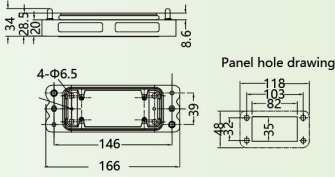
<p>Upper shell Side outlet High structure</p> 	<table border="1"> <thead> <tr> <th>thread</th> <th>Form</th> <th>Order No</th> </tr> </thead> <tbody> <tr> <td>M25</td> <td>HP16B-SH-2S-M25</td> <td>115 016 520 5003</td> </tr> <tr> <td>M32</td> <td>HP16B-SH-2S-M32</td> <td>115 016 520 5104</td> </tr> <tr> <td>M40</td> <td>HP16B-SH-2S-M40</td> <td>115 016 520 5105</td> </tr> <tr> <td>PG21</td> <td>HP16B-SH-2S-PG21</td> <td>115 016 520 5111</td> </tr> <tr> <td>PG29</td> <td>HP16B-SH-2S-PG29</td> <td>115 016 520 5112</td> </tr> </tbody> </table>	thread	Form	Order No	M25	HP16B-SH-2S-M25	115 016 520 5003	M32	HP16B-SH-2S-M32	115 016 520 5104	M40	HP16B-SH-2S-M40	115 016 520 5105	PG21	HP16B-SH-2S-PG21	115 016 520 5111	PG29	HP16B-SH-2S-PG29	115 016 520 5112				
thread	Form	Order No																					
M25	HP16B-SH-2S-M25	115 016 520 5003																					
M32	HP16B-SH-2S-M32	115 016 520 5104																					
M40	HP16B-SH-2S-M40	115 016 520 5105																					
PG21	HP16B-SH-2S-PG21	115 016 520 5111																					
PG29	HP16B-SH-2S-PG29	115 016 520 5112																					
<p>Upper shell Jacking wire High structure</p> 	<table border="1"> <thead> <tr> <th>thread</th> <th>Form</th> <th>Order No</th> </tr> </thead> <tbody> <tr> <td>M25</td> <td>HP16B-TH-2S-M25</td> <td>115 016 420 5103</td> </tr> <tr> <td>M32</td> <td>HP16B-TH-2S-M32</td> <td>115 016 420 5104</td> </tr> <tr> <td>M40</td> <td>HP16B-TH-2S-M40</td> <td>115 016 420 5105</td> </tr> <tr> <td>M50</td> <td>HP16B-TH-2S-M50</td> <td>115 016 420 5106</td> </tr> <tr> <td>PG21</td> <td>HP16B-TH-2S-PG21</td> <td>115 016 420 5111</td> </tr> <tr> <td>PG29</td> <td>HP16B-TH-2S-PG29</td> <td>115 016 420 5112</td> </tr> </tbody> </table>	thread	Form	Order No	M25	HP16B-TH-2S-M25	115 016 420 5103	M32	HP16B-TH-2S-M32	115 016 420 5104	M40	HP16B-TH-2S-M40	115 016 420 5105	M50	HP16B-TH-2S-M50	115 016 420 5106	PG21	HP16B-TH-2S-PG21	115 016 420 5111	PG29	HP16B-TH-2S-PG29	115 016 420 5112	
thread	Form	Order No																					
M25	HP16B-TH-2S-M25	115 016 420 5103																					
M32	HP16B-TH-2S-M32	115 016 420 5104																					
M40	HP16B-TH-2S-M40	115 016 420 5105																					
M50	HP16B-TH-2S-M50	115 016 420 5106																					
PG21	HP16B-TH-2S-PG21	115 016 420 5111																					
PG29	HP16B-TH-2S-PG29	115 016 420 5112																					
<p>Lower shell of back cover</p> 	<table border="1"> <thead> <tr> <th>thread</th> <th>Form</th> <th>Order No</th> </tr> </thead> <tbody> <tr> <td>M25</td> <td>HP16B-SH-2H-M25</td> <td>115 016 220 5003</td> </tr> <tr> <td>M32</td> <td>HP16B-SH-2H-M32</td> <td>115 016 220 5004</td> </tr> <tr> <td>M40</td> <td>HP16B-SH-2H-M40</td> <td>115 016 220 5005</td> </tr> <tr> <td>PG21</td> <td>HP16B-SH-2H-PG21</td> <td>115 016 220 5011</td> </tr> <tr> <td>PG29</td> <td>HP16B-SH-2H-PG29</td> <td>115 016 220 5012</td> </tr> </tbody> </table>	thread	Form	Order No	M25	HP16B-SH-2H-M25	115 016 220 5003	M32	HP16B-SH-2H-M32	115 016 220 5004	M40	HP16B-SH-2H-M40	115 016 220 5005	PG21	HP16B-SH-2H-PG21	115 016 220 5011	PG29	HP16B-SH-2H-PG29	115 016 220 5012				
thread	Form	Order No																					
M25	HP16B-SH-2H-M25	115 016 220 5003																					
M32	HP16B-SH-2H-M32	115 016 220 5004																					
M40	HP16B-SH-2H-M40	115 016 220 5005																					
PG21	HP16B-SH-2H-PG21	115 016 220 5011																					
PG29	HP16B-SH-2H-PG29	115 016 220 5012																					
<p>Unsealed lower shell</p> 	<table border="1"> <thead> <tr> <th>thread</th> <th>Form</th> <th>Order No</th> </tr> </thead> <tbody> <tr> <td>---</td> <td>HP16B-BK-2H</td> <td>115 016 320 1501</td> </tr> </tbody> </table>	thread	Form	Order No	---	HP16B-BK-2H	115 016 320 1501	 <p>Panel hole drawing</p>															
thread	Form	Order No																					
---	HP16B-BK-2H	115 016 320 1501																					
<p>Unsealed lower shell</p> 	<table border="1"> <thead> <tr> <th>thread</th> <th>Form</th> <th>Order No</th> </tr> </thead> <tbody> <tr> <td>---</td> <td>HP16B-BK/S-2H</td> <td>115 016 320 1004</td> </tr> </tbody> </table>	thread	Form	Order No	---	HP16B-BK/S-2H	115 016 320 1004	 <p>Panel hole drawing</p>															
thread	Form	Order No																					
---	HP16B-BK/S-2H	115 016 320 1004																					
<p>Plastic protective cover</p> 	<table border="1"> <thead> <tr> <th>thread</th> <th>Form</th> <th>Order No</th> </tr> </thead> <tbody> <tr> <td>---</td> <td>HP16B-CV-2S/2</td> <td>115 016 020 8002</td> </tr> </tbody> </table>	thread	Form	Order No	---	HP16B-CV-2S/2	115 016 020 8002																
thread	Form	Order No																					
---	HP16B-CV-2S/2	115 016 020 8002																					



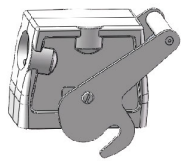
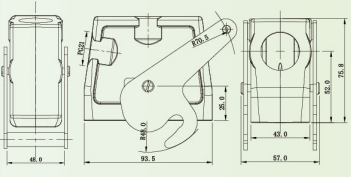

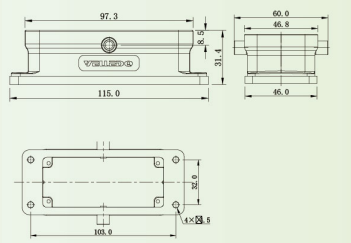
Heavy-Duty Connector



16B High protective housing Degree of protection IP68
(The following enclosures comply with China's rail transit industry standards)

<p>Upper shell Side outlet High structure</p> 	<table border="1"> <thead> <tr> <th>thread</th> <th>Form</th> <th>Order No</th> </tr> </thead> <tbody> <tr> <td>M25</td> <td>HP16B/H-SH-4S-M25</td> <td>113 616 530 5003</td> </tr> <tr> <td>M32</td> <td>HP16B/H-SH-4S-M32</td> <td>113 616 530 5004</td> </tr> <tr> <td>M40</td> <td>HP16B/H-SH-4S-M40</td> <td>113 616 530 5005</td> </tr> <tr> <td>PG21</td> <td>HP16B/H-SH-4S-PG21</td> <td>113 616 530 5011</td> </tr> <tr> <td>PG29</td> <td>HP16B/H-SH-4S-PG29</td> <td>113 616 530 5012</td> </tr> </tbody> </table>	thread	Form	Order No	M25	HP16B/H-SH-4S-M25	113 616 530 5003	M32	HP16B/H-SH-4S-M32	113 616 530 5004	M40	HP16B/H-SH-4S-M40	113 616 530 5005	PG21	HP16B/H-SH-4S-PG21	113 616 530 5011	PG29	HP16B/H-SH-4S-PG29	113 616 530 5012							
thread	Form	Order No																								
M25	HP16B/H-SH-4S-M25	113 616 530 5003																								
M32	HP16B/H-SH-4S-M32	113 616 530 5004																								
M40	HP16B/H-SH-4S-M40	113 616 530 5005																								
PG21	HP16B/H-SH-4S-PG21	113 616 530 5011																								
PG29	HP16B/H-SH-4S-PG29	113 616 530 5012																								
<p>Upper shell Jacking wire High structure</p> 	<table border="1"> <thead> <tr> <th>thread</th> <th>Form</th> <th>Order No</th> </tr> </thead> <tbody> <tr> <td>M25</td> <td>HP16B/H-TH-4S-M25</td> <td>113 616 430 5003</td> </tr> <tr> <td>M32</td> <td>HP16B/H-TH-4S-M32</td> <td>113 616 430 5004</td> </tr> <tr> <td>M40</td> <td>HP16B/H-TH-4S-M40</td> <td>113 616 430 5005</td> </tr> <tr> <td>M50</td> <td>HP16B/H-TH-4S-M50</td> <td>113 616 430 5006</td> </tr> <tr> <td>PG21</td> <td>HP16B/H-TH-4S-PG21</td> <td>113 616 430 5011</td> </tr> <tr> <td>PG29</td> <td>HP16B/H-TH-4S-PG29</td> <td>113 616 430 5012</td> </tr> <tr> <td>PG36</td> <td>HP16B/H-TH-4S-PG36</td> <td>113 616 430 5013</td> </tr> </tbody> </table>	thread	Form	Order No	M25	HP16B/H-TH-4S-M25	113 616 430 5003	M32	HP16B/H-TH-4S-M32	113 616 430 5004	M40	HP16B/H-TH-4S-M40	113 616 430 5005	M50	HP16B/H-TH-4S-M50	113 616 430 5006	PG21	HP16B/H-TH-4S-PG21	113 616 430 5011	PG29	HP16B/H-TH-4S-PG29	113 616 430 5012	PG36	HP16B/H-TH-4S-PG36	113 616 430 5013	
thread	Form	Order No																								
M25	HP16B/H-TH-4S-M25	113 616 430 5003																								
M32	HP16B/H-TH-4S-M32	113 616 430 5004																								
M40	HP16B/H-TH-4S-M40	113 616 430 5005																								
M50	HP16B/H-TH-4S-M50	113 616 430 5006																								
PG21	HP16B/H-TH-4S-PG21	113 616 430 5011																								
PG29	HP16B/H-TH-4S-PG29	113 616 430 5012																								
PG36	HP16B/H-TH-4S-PG36	113 616 430 5013																								
<p>Unsealed lower shell</p> 	<table border="1"> <thead> <tr> <th>thread</th> <th>Form</th> <th>Order No</th> </tr> </thead> <tbody> <tr> <td>---</td> <td>HP16B/H-BK-4H</td> <td>113 616 330 1001</td> </tr> </tbody> </table>	thread	Form	Order No	---	HP16B/H-BK-4H	113 616 330 1001																			
thread	Form	Order No																								
---	HP16B/H-BK-4H	113 616 330 1001																								

HV16B Metal housing Degree of protection: IP65 -Applicable to high-voltage connector (HVE series)

<p>Upper shell Side outlet High structure</p> 	<table border="1"> <thead> <tr> <th>thread</th> <th>Form</th> <th>Order No</th> </tr> </thead> <tbody> <tr> <td>M32</td> <td>WV16B-SEH-1L/C-M32</td> <td>124 116 550 5001</td> </tr> <tr> <td>PG21</td> <td>WV16B-SEH-1L/C-PG21</td> <td>124 116 550 5002</td> </tr> <tr> <td>PG29</td> <td>WV16B-SEH-1L/C-PG29</td> <td>124 116 550 5003</td> </tr> <tr> <td>M32</td> <td>WV16B-SEH-1L/C-M32 WS</td> <td>124 116 555 5004</td> </tr> <tr> <td>PG21</td> <td>WV16B-SEH-1L/C-PG21 WS</td> <td>124 116 555 5011</td> </tr> <tr> <td>PG29</td> <td>WV16B-SEH-1L/C-PG29 WS</td> <td>124 116 555 5012</td> </tr> </tbody> </table>	thread	Form	Order No	M32	WV16B-SEH-1L/C-M32	124 116 550 5001	PG21	WV16B-SEH-1L/C-PG21	124 116 550 5002	PG29	WV16B-SEH-1L/C-PG29	124 116 550 5003	M32	WV16B-SEH-1L/C-M32 WS	124 116 555 5004	PG21	WV16B-SEH-1L/C-PG21 WS	124 116 555 5011	PG29	WV16B-SEH-1L/C-PG29 WS	124 116 555 5012	
thread	Form	Order No																					
M32	WV16B-SEH-1L/C-M32	124 116 550 5001																					
PG21	WV16B-SEH-1L/C-PG21	124 116 550 5002																					
PG29	WV16B-SEH-1L/C-PG29	124 116 550 5003																					
M32	WV16B-SEH-1L/C-M32 WS	124 116 555 5004																					
PG21	WV16B-SEH-1L/C-PG21 WS	124 116 555 5011																					
PG29	WV16B-SEH-1L/C-PG29 WS	124 116 555 5012																					
<p>Unsealed lower shell</p> 	<table border="1"> <thead> <tr> <th>thread</th> <th>Form</th> <th>Order No</th> </tr> </thead> <tbody> <tr> <td>---</td> <td>HV16B-BK-2B/C</td> <td>124 016 355 1001</td> </tr> </tbody> </table>	thread	Form	Order No	---	HV16B-BK-2B/C	124 016 355 1001																
thread	Form	Order No																					
---	HV16B-BK-2B/C	124 016 355 1001																					

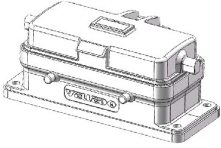
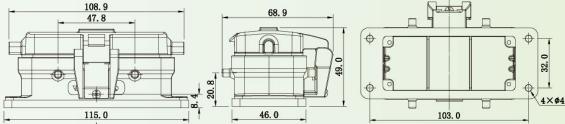
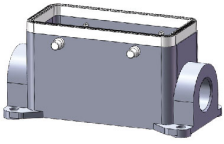
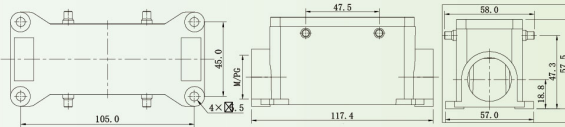
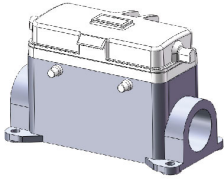
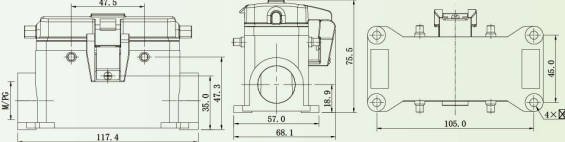
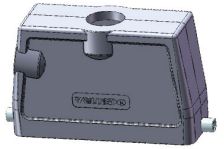
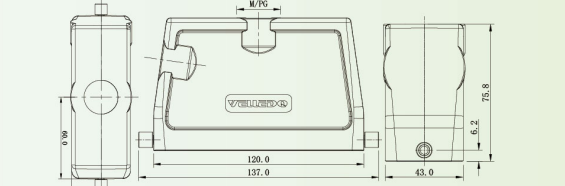
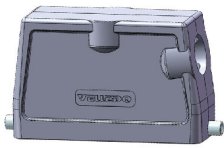
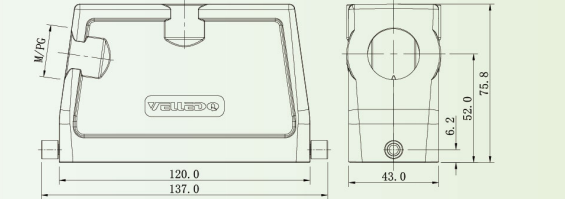

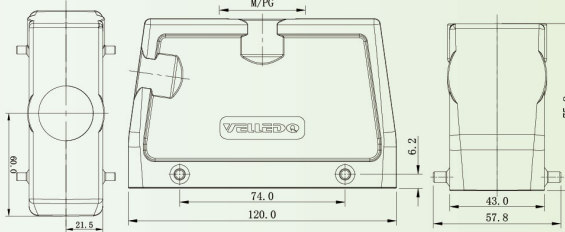


Data ,CAD,3D document please refer to: WWW.VELLEDQ.COM

Heavy-Duty Connector



● Heavy Duty Housing

Product Picture	Form	Product Size
	<p>H16B-K-4B-CV H16B-K-4B-MCV</p>	
	<p>H16B-F-4B-M25 H16B-F-4B-2M25 H16B-F-4B-PG21 H16B-F-4B-2PG21</p>	
	<p>H16B-F-4B-CV-M25 H16B-F-4B-CV-2M25 H16B-F-4B-CV-PG21 H16B-F-4B-CV-2PG21</p>	
	<p>H24B-TH-2B-M25 H24B-TH-2B-M32 H24B-TH-2B-M40 H24B-TH-2B-PG21 H24B-TH-2B-PG29</p>	
	<p>H24B-SH-2B-M25 H24B-SH-2B-M32 H24B-SH-2B-M40 H24B-SH-2B-PG21 H24B-SH-2B-PG29</p>	
	<p>H24B-TH-4B-M25 H24B-TH-4B-M32 H24B-TH-4B-M40 H24B-TH-4B-PG21 H24B-TH-4B-PG29</p>	



Heavy-Duty Connector

● Heavy Duty Housing

Product Picture	Form	Product Size
	<p>H24B-SH-4B-M25 H24B-SH-4B-M32 H24B-SH-4B-M40 H24B-SH-4B-PG21 H24B-SH-4B-PG29</p>	
	<p>H24B-K-1L</p>	
	<p>H24B-K-1L-CV</p>	
	<p>H24B-F-1L-M25 H24B-F-1L-2M25 H24B-F-1L-PG21 H24B-F-1L-2PG21</p>	
	<p>H24B-F-1L-CV-M25 H24B-F-1L-CV-2M25 H24B-F-1L-CV-PG21 H24B-F-1L-CV-2PG21 H24B-F-1L-MCV-M25 H24B-F-1L-MCV-2M25 H24B-F-1L-MCV-PG21 H24B-F-1L-MCV-2PG21</p>	
	<p>H24B-K-2L</p>	

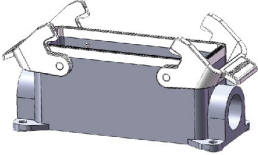
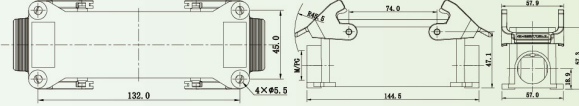
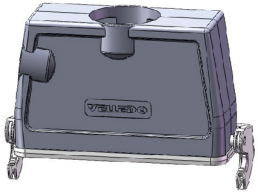
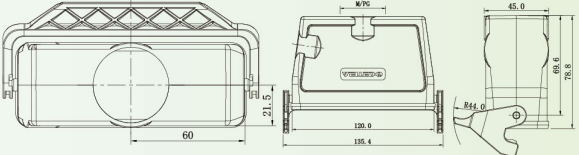
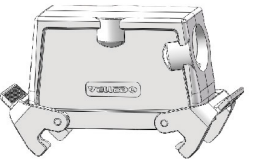
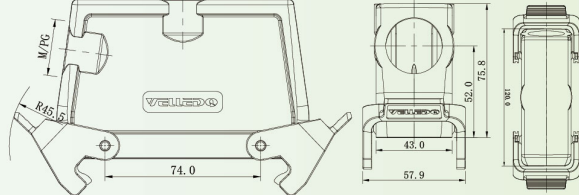
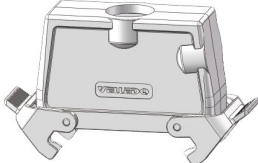
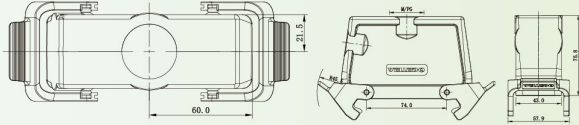
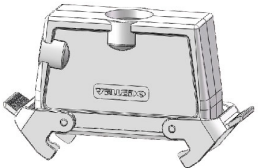
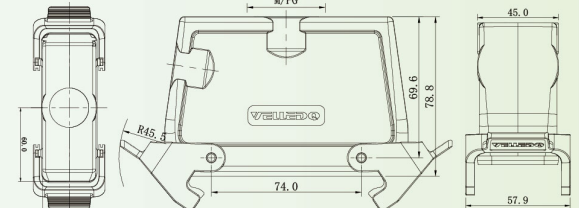

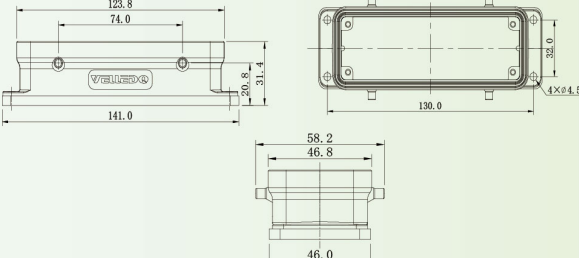


Data ,CAD,3D document please refer to: WWW.VELLEDQ.COM

Heavy-Duty Connector



● Heavy Duty Housing


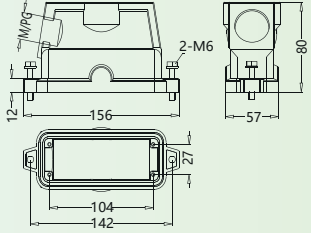

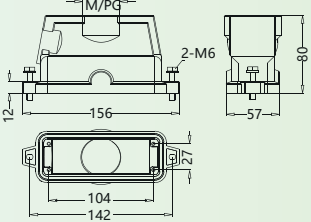

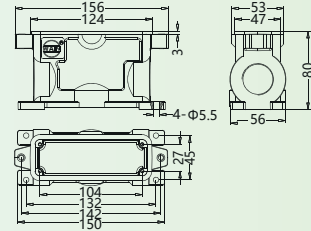

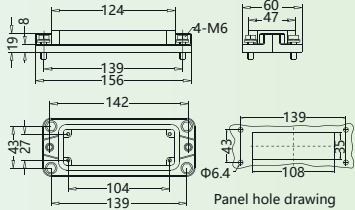

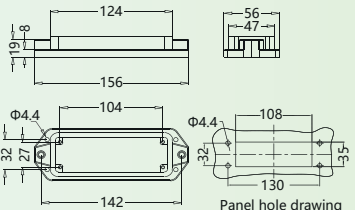

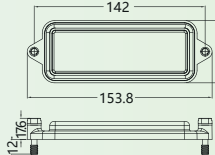
Product Picture	Form	Product Size
	<p>H24B-F-2L-M25 H24B-F-2L-2M25 H24B-F-2L-PG21 H24B-F-2L-2PG21</p>	
	<p>H24B-CTH-1L-M25 H24B-CTH-1L-PG21</p>	
	<p>H24B-SH-2L-M25 H24B-SH-2L-M32 H24B-SH-2L-PG21</p>	
	<p>H24B-TH-2L-M32 H24B-TH-2L-M40 H24B-TH-2L-PG21 H24B-TH-2L-PG29</p>	
	<p>H24B-CTH-2L-M32 H24B-CTH-2L-M40 H24B-CTH-2L-PG21 H24B-CTH-2L-PG29</p>	
	<p>H24B-K-4B</p>	



Heavy-Duty Connector



24B High protective housing Degree of protection: IP68/IP69K


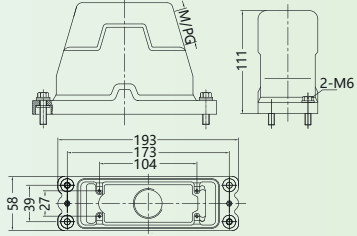
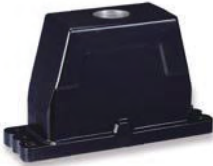
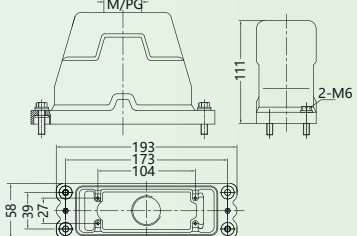

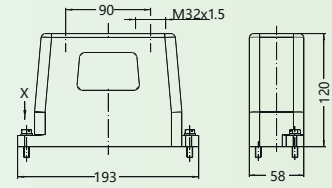

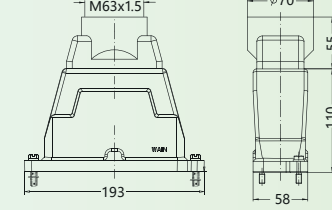

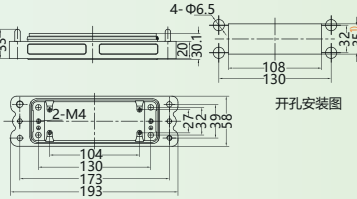
<p>Upper shell Side outlet High structure</p> 	<table border="1"> <thead> <tr> <th>thread</th> <th>Form</th> <th>Order No</th> </tr> </thead> <tbody> <tr> <td>M25</td> <td>HP24B-SH-2S-M25</td> <td>115 024 520 5103</td> </tr> <tr> <td>M32</td> <td>HP24B-SH-2S-M32</td> <td>115 024 520 5104</td> </tr> <tr> <td>M40</td> <td>HP24B-SH-2S-M40</td> <td>115 024 520 5105</td> </tr> <tr> <td>PG21</td> <td>HP24B-SH-2S-PG21</td> <td>115 024 520 5111</td> </tr> <tr> <td>PG29</td> <td>HP24B-SH-2S-PG29</td> <td>115 024 520 5112</td> </tr> </tbody> </table>	thread	Form	Order No	M25	HP24B-SH-2S-M25	115 024 520 5103	M32	HP24B-SH-2S-M32	115 024 520 5104	M40	HP24B-SH-2S-M40	115 024 520 5105	PG21	HP24B-SH-2S-PG21	115 024 520 5111	PG29	HP24B-SH-2S-PG29	115 024 520 5112							
thread	Form	Order No																								
M25	HP24B-SH-2S-M25	115 024 520 5103																								
M32	HP24B-SH-2S-M32	115 024 520 5104																								
M40	HP24B-SH-2S-M40	115 024 520 5105																								
PG21	HP24B-SH-2S-PG21	115 024 520 5111																								
PG29	HP24B-SH-2S-PG29	115 024 520 5112																								
<p>Upper shell Jacking wire High structure</p> 	<table border="1"> <thead> <tr> <th>thread</th> <th>Form</th> <th>Order No</th> </tr> </thead> <tbody> <tr> <td>M25</td> <td>HP24B-TH-2S-M25</td> <td>115 024 420 5103</td> </tr> <tr> <td>M32</td> <td>HP24B-TH-2S-M32</td> <td>115 024 420 5104</td> </tr> <tr> <td>M40</td> <td>HP24B-TH-2S-M40</td> <td>115 024 420 5105</td> </tr> <tr> <td>M50</td> <td>HP24B-TH-2S-M50</td> <td>115 024 420 5106</td> </tr> <tr> <td>PG21</td> <td>HP24B-TH-2S-PG21</td> <td>115 024 420 5111</td> </tr> <tr> <td>PG29</td> <td>HP24B-TH-2S-PG29</td> <td>115 024 420 5112</td> </tr> <tr> <td>PG36</td> <td>HP24B-TH-2S-PG36</td> <td>115 024 420 5113</td> </tr> </tbody> </table>	thread	Form	Order No	M25	HP24B-TH-2S-M25	115 024 420 5103	M32	HP24B-TH-2S-M32	115 024 420 5104	M40	HP24B-TH-2S-M40	115 024 420 5105	M50	HP24B-TH-2S-M50	115 024 420 5106	PG21	HP24B-TH-2S-PG21	115 024 420 5111	PG29	HP24B-TH-2S-PG29	115 024 420 5112	PG36	HP24B-TH-2S-PG36	115 024 420 5113	
thread	Form	Order No																								
M25	HP24B-TH-2S-M25	115 024 420 5103																								
M32	HP24B-TH-2S-M32	115 024 420 5104																								
M40	HP24B-TH-2S-M40	115 024 420 5105																								
M50	HP24B-TH-2S-M50	115 024 420 5106																								
PG21	HP24B-TH-2S-PG21	115 024 420 5111																								
PG29	HP24B-TH-2S-PG29	115 024 420 5112																								
PG36	HP24B-TH-2S-PG36	115 024 420 5113																								
<p>Lower shell of back cover High structure</p> 	<table border="1"> <thead> <tr> <th>thread</th> <th>Form</th> <th>Order No</th> </tr> </thead> <tbody> <tr> <td>M25</td> <td>HP24B-SH-2H-M25</td> <td>115 024 220 5003</td> </tr> <tr> <td>M32</td> <td>HP24B-SH-2H-M32</td> <td>115 024 220 5004</td> </tr> <tr> <td>M40</td> <td>HP24B-SH-2H-M40</td> <td>115 024 220 5005</td> </tr> <tr> <td>PG21</td> <td>HP24B-SH-2H-PG21</td> <td>115 024 220 5011</td> </tr> <tr> <td>PG29</td> <td>HP24B-SH-2H-PG29</td> <td>115 024 220 5012</td> </tr> </tbody> </table>	thread	Form	Order No	M25	HP24B-SH-2H-M25	115 024 220 5003	M32	HP24B-SH-2H-M32	115 024 220 5004	M40	HP24B-SH-2H-M40	115 024 220 5005	PG21	HP24B-SH-2H-PG21	115 024 220 5011	PG29	HP24B-SH-2H-PG29	115 024 220 5012							
thread	Form	Order No																								
M25	HP24B-SH-2H-M25	115 024 220 5003																								
M32	HP24B-SH-2H-M32	115 024 220 5004																								
M40	HP24B-SH-2H-M40	115 024 220 5005																								
PG21	HP24B-SH-2H-PG21	115 024 220 5011																								
PG29	HP24B-SH-2H-PG29	115 024 220 5012																								
<p>Unsealed lower shell</p> 	<table border="1"> <thead> <tr> <th>thread</th> <th>Form</th> <th>Order No</th> </tr> </thead> <tbody> <tr> <td>---</td> <td>HP24B-BK-2H</td> <td>115 024 320 1001</td> </tr> </tbody> </table>	thread	Form	Order No	---	HP24B-BK-2H	115 024 320 1001																			
thread	Form	Order No																								
---	HP24B-BK-2H	115 024 320 1001																								
<p>Unsealed lower shell</p> 	<table border="1"> <thead> <tr> <th>thread</th> <th>Form</th> <th>Order No</th> </tr> </thead> <tbody> <tr> <td>---</td> <td>HP24B-BK/S-2H</td> <td>115 024 320 1101</td> </tr> </tbody> </table>	thread	Form	Order No	---	HP24B-BK/S-2H	115 024 320 1101																			
thread	Form	Order No																								
---	HP24B-BK/S-2H	115 024 320 1101																								
<p>Plastic protective cover</p> 	<table border="1"> <thead> <tr> <th>Wiring mode</th> <th>Form</th> <th>Order No</th> </tr> </thead> <tbody> <tr> <td>---</td> <td>HP24B-CV-2S/2</td> <td>115 024 020 8002</td> </tr> </tbody> </table>	Wiring mode	Form	Order No	---	HP24B-CV-2S/2	115 024 020 8002																			
Wiring mode	Form	Order No																								
---	HP24B-CV-2S/2	115 024 020 8002																								



Heavy-Duty Connector



24B High protective housing Protection grade: IP68
 (The following enclosures comply with China's rail transit industry standards)

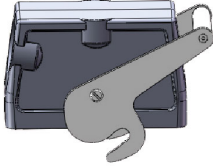
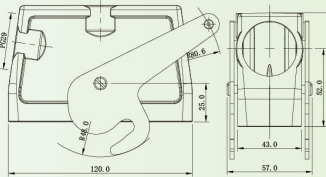
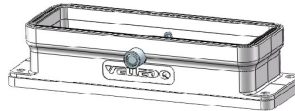
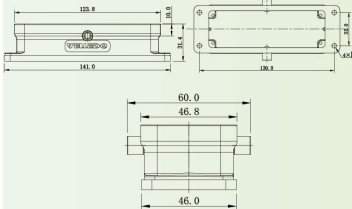

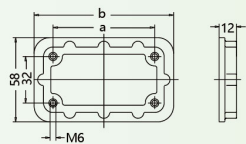

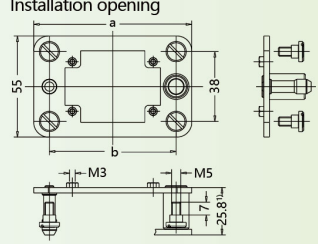
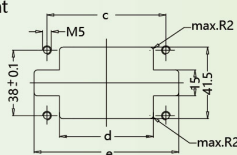
<p>Upper shell Side outlet High structure</p> 	<table border="1"> <thead> <tr> <th>thread</th> <th>Form</th> <th>Order No</th> </tr> </thead> <tbody> <tr> <td>M25</td> <td>HP24B/H-SH-4S-M25</td> <td>113 624 530 5003</td> </tr> <tr> <td>M32</td> <td>HP24B/H-SH-4S-M32</td> <td>113 624 530 5004</td> </tr> <tr> <td>M40</td> <td>HP24B/H-SH-4S-M40</td> <td>113 624 530 5005</td> </tr> <tr> <td>PG21</td> <td>HP24B/H-SH-4S-PG21</td> <td>113 624 530 5011</td> </tr> <tr> <td>PG29</td> <td>HP24B/H-SH-4S-PG29</td> <td>113 624 530 5012</td> </tr> </tbody> </table>	thread	Form	Order No	M25	HP24B/H-SH-4S-M25	113 624 530 5003	M32	HP24B/H-SH-4S-M32	113 624 530 5004	M40	HP24B/H-SH-4S-M40	113 624 530 5005	PG21	HP24B/H-SH-4S-PG21	113 624 530 5011	PG29	HP24B/H-SH-4S-PG29	113 624 530 5012							
thread	Form	Order No																								
M25	HP24B/H-SH-4S-M25	113 624 530 5003																								
M32	HP24B/H-SH-4S-M32	113 624 530 5004																								
M40	HP24B/H-SH-4S-M40	113 624 530 5005																								
PG21	HP24B/H-SH-4S-PG21	113 624 530 5011																								
PG29	HP24B/H-SH-4S-PG29	113 624 530 5012																								
<p>Upper shell Jacking wire High structure</p> 	<table border="1"> <thead> <tr> <th>thread</th> <th>Form</th> <th>Order No</th> </tr> </thead> <tbody> <tr> <td>M25</td> <td>HP24B/H-TH-4S-M25</td> <td>113 624 430 5003</td> </tr> <tr> <td>M32</td> <td>HP24B/H-TH-4S-M32</td> <td>113 624 430 5004</td> </tr> <tr> <td>M40</td> <td>HP24B/H-TH-4S-M40</td> <td>113 624 430 5005</td> </tr> <tr> <td>M50</td> <td>HP24B/H-TH-4S-M50</td> <td>113 624 430 5006</td> </tr> <tr> <td>PG21</td> <td>HP24B/H-TH-4S-PG21</td> <td>113 624 430 5011</td> </tr> <tr> <td>PG29</td> <td>HP24B/H-TH-4S-PG29</td> <td>113 624 430 5012</td> </tr> <tr> <td>PG36</td> <td>HP24B/H-TH-4S-PG36</td> <td>113 624 430 5013</td> </tr> </tbody> </table>	thread	Form	Order No	M25	HP24B/H-TH-4S-M25	113 624 430 5003	M32	HP24B/H-TH-4S-M32	113 624 430 5004	M40	HP24B/H-TH-4S-M40	113 624 430 5005	M50	HP24B/H-TH-4S-M50	113 624 430 5006	PG21	HP24B/H-TH-4S-PG21	113 624 430 5011	PG29	HP24B/H-TH-4S-PG29	113 624 430 5012	PG36	HP24B/H-TH-4S-PG36	113 624 430 5013	
thread	Form	Order No																								
M25	HP24B/H-TH-4S-M25	113 624 430 5003																								
M32	HP24B/H-TH-4S-M32	113 624 430 5004																								
M40	HP24B/H-TH-4S-M40	113 624 430 5005																								
M50	HP24B/H-TH-4S-M50	113 624 430 5006																								
PG21	HP24B/H-TH-4S-PG21	113 624 430 5011																								
PG29	HP24B/H-TH-4S-PG29	113 624 430 5012																								
PG36	HP24B/H-TH-4S-PG36	113 624 430 5013																								
<p>Upper shell Jacking wire High structure</p> 	<table border="1"> <thead> <tr> <th>thread</th> <th>Form</th> <th>Order No</th> </tr> </thead> <tbody> <tr> <td>3M32</td> <td>HP24B/H-TH-4S-3M32</td> <td>113 624 430 5037</td> </tr> </tbody> </table>	thread	Form	Order No	3M32	HP24B/H-TH-4S-3M32	113 624 430 5037																			
thread	Form	Order No																								
3M32	HP24B/H-TH-4S-3M32	113 624 430 5037																								
<p>Upper shell Jacking wire High structure</p> 	<table border="1"> <thead> <tr> <th>thread</th> <th>Form</th> <th>Order No</th> </tr> </thead> <tbody> <tr> <td>M63</td> <td>HP24B/H-TH-4S-M63</td> <td>113 624 430 5007</td> </tr> </tbody> </table>	thread	Form	Order No	M63	HP24B/H-TH-4S-M63	113 624 430 5007																			
thread	Form	Order No																								
M63	HP24B/H-TH-4S-M63	113 624 430 5007																								
<p>Unsealed lower shell</p> 	<table border="1"> <thead> <tr> <th>thread</th> <th>Form</th> <th>Order No</th> </tr> </thead> <tbody> <tr> <td>---</td> <td>HP24B/H-BK-4H</td> <td>113 624 330 1001</td> </tr> </tbody> </table>	thread	Form	Order No	---	HP24B/H-BK-4H	113 624 330 1001	 <p>注: 1. 配用HC650插芯时, 尺寸为45.</p>																		
thread	Form	Order No																								
---	HP24B/H-BK-4H	113 624 330 1001																								



Heavy-Duty Connector




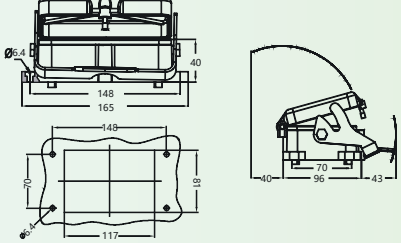

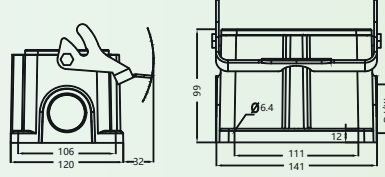
24B Metal housing Degree of protection: IP67 -Applicable to high-voltage connector (HVE series)

<p>Upper shell Side outlet High structure</p> 	<table border="1"> <thead> <tr> <th>thread</th> <th>Form</th> <th>Order No</th> </tr> </thead> <tbody> <tr> <td>M32</td> <td>WV24B-SH-1L/C-M32</td> <td>124 124 550 5001</td> </tr> <tr> <td>PG29</td> <td>WV24B-SH-1L/C-PG29</td> <td>124 124 550 5002</td> </tr> <tr> <td>M32</td> <td>WV24B-SH-1L/C-M32 WS</td> <td>124 124 555 5004</td> </tr> <tr> <td>PG21</td> <td>WV24B-SH-1L/C-PG21 WS</td> <td>124 124 550 5003</td> </tr> <tr> <td>PG29</td> <td>WV24B-SH-1L/C-PG29 WS</td> <td>124 124 555 5012</td> </tr> </tbody> </table>	thread	Form	Order No	M32	WV24B-SH-1L/C-M32	124 124 550 5001	PG29	WV24B-SH-1L/C-PG29	124 124 550 5002	M32	WV24B-SH-1L/C-M32 WS	124 124 555 5004	PG21	WV24B-SH-1L/C-PG21 WS	124 124 550 5003	PG29	WV24B-SH-1L/C-PG29 WS	124 124 555 5012																												
thread	Form	Order No																																													
M32	WV24B-SH-1L/C-M32	124 124 550 5001																																													
PG29	WV24B-SH-1L/C-PG29	124 124 550 5002																																													
M32	WV24B-SH-1L/C-M32 WS	124 124 555 5004																																													
PG21	WV24B-SH-1L/C-PG21 WS	124 124 550 5003																																													
PG29	WV24B-SH-1L/C-PG29 WS	124 124 555 5012																																													
<p>Unsealed lower shell</p> 	<table border="1"> <thead> <tr> <th>thread</th> <th>Form</th> <th>Order No</th> </tr> </thead> <tbody> <tr> <td>---</td> <td>WV24B-BK-2B/C</td> <td>124 124 350 1101</td> </tr> </tbody> </table>	thread	Form	Order No	---	WV24B-BK-2B/C	124 124 350 1101																																								
thread	Form	Order No																																													
---	WV24B-BK-2B/C	124 124 350 1101																																													
<h2>Fixed frame</h2>																																															
<p>Mounting frame for H version</p> 	<table border="1"> <thead> <tr> <th>Specifications</th> <th>Form</th> <th>Order No</th> </tr> </thead> <tbody> <tr> <td>6B</td> <td>HP6B-MF</td> <td>113 006 000 1091</td> </tr> <tr> <td>10B</td> <td>HP10B-MF</td> <td>113 010 000 1091</td> </tr> <tr> <td>16B</td> <td>HP16B-MF</td> <td>113 016 000 1091</td> </tr> <tr> <td>24B</td> <td>HP24B-MF</td> <td>113 024 000 1091</td> </tr> </tbody> </table>	Specifications	Form	Order No	6B	HP6B-MF	113 006 000 1091	10B	HP10B-MF	113 010 000 1091	16B	HP16B-MF	113 016 000 1091	24B	HP24B-MF	113 024 000 1091	 <table border="1"> <thead> <tr> <th>Specifications</th> <th>b</th> </tr> </thead> <tbody> <tr> <td>6B</td> <td>70</td> </tr> <tr> <td>10B</td> <td>83</td> </tr> <tr> <td>16B</td> <td>103</td> </tr> <tr> <td>24B</td> <td>130</td> </tr> </tbody> </table>	Specifications	b	6B	70	10B	83	16B	103	24B	130																				
Specifications	Form	Order No																																													
6B	HP6B-MF	113 006 000 1091																																													
10B	HP10B-MF	113 010 000 1091																																													
16B	HP16B-MF	113 016 000 1091																																													
24B	HP24B-MF	113 024 000 1091																																													
Specifications	b																																														
6B	70																																														
10B	83																																														
16B	103																																														
24B	130																																														
<p>Butt joint frame</p> 	<table border="1"> <thead> <tr> <th>Specifications</th> <th>Form</th> <th>Order No</th> </tr> </thead> <tbody> <tr> <td>6B</td> <td>H6B-ADK</td> <td>198 002 004 0001</td> </tr> <tr> <td>10B</td> <td>H10B-ADK198</td> <td>002 004 0002</td> </tr> <tr> <td>16B</td> <td>H16B-ADK198</td> <td>002 004 0003</td> </tr> <tr> <td>24B</td> <td>H24B-ADK198</td> <td>002 004 0005</td> </tr> </tbody> </table>	Specifications	Form	Order No	6B	H6B-ADK	198 002 004 0001	10B	H10B-ADK198	002 004 0002	16B	H16B-ADK198	002 004 0003	24B	H24B-ADK198	002 004 0005	<p>technical parameter</p> <p>Material Science -Butt joint frame stainless steel</p> <p>-Fixing bolt Iron, galvanized</p> <p>Fixing bolt</p> <ul style="list-style-type: none"> -x-axis ±1.5mm -y-axis ±1.5mm <p>Unplug times ≥500</p> <p>Products include</p> <p>1 shelf</p> <p>4 bolts with flat head for fixing the butt joint</p> <p>1)The maximum distance from electrical pin and optical cable pin is 27mm Maximum distance of pneumatic needle 26.5mm</p>  <table border="1"> <thead> <tr> <th>Specifications</th> <th>a</th> <th>b</th> <th>c</th> <th>d</th> <th>e</th> </tr> </thead> <tbody> <tr> <td>6B</td> <td>86</td> <td>69</td> <td>69</td> <td>54.5</td> <td>84</td> </tr> <tr> <td>10B</td> <td>99</td> <td>82</td> <td>82</td> <td>67.5</td> <td>97</td> </tr> <tr> <td>16B</td> <td>119.5</td> <td>102.5</td> <td>102.5</td> <td>88</td> <td>117.5</td> </tr> <tr> <td>24B</td> <td>146</td> <td>129</td> <td>129</td> <td>114.5</td> <td>144</td> </tr> </tbody> </table> 	Specifications	a	b	c	d	e	6B	86	69	69	54.5	84	10B	99	82	82	67.5	97	16B	119.5	102.5	102.5	88	117.5	24B	146	129	129	114.5	144
Specifications	Form	Order No																																													
6B	H6B-ADK	198 002 004 0001																																													
10B	H10B-ADK198	002 004 0002																																													
16B	H16B-ADK198	002 004 0003																																													
24B	H24B-ADK198	002 004 0005																																													
Specifications	a	b	c	d	e																																										
6B	86	69	69	54.5	84																																										
10B	99	82	82	67.5	97																																										
16B	119.5	102.5	102.5	88	117.5																																										
24B	146	129	129	114.5	144																																										



Heavy-Duty Connector

● Heavy Duty Housing

Product Picture	Form	Product Size
	<p>H48B-K-1L-CV H48B-K-1L-MCV</p>	
	<p>H48B-F-1L-M32 H48B-F-1L-2M32 H48B-F-1L-M40 H48B-F-1L-2M40 H48B-F-1L-PG29 H48B-F-1L-2PG29 H48B-F-1L-PG36 H48B-F-1L-2PG36 H48B-F-1L-CV-M32 H48B-F-1L-CV-2M32 H48B-F-1L-CV-M40 H48B-F-1L-CV-2M40 H48B-F-1L-CV-PG29 H48B-F-1L-CV-2PG29 H48B-F-1L-CV-PG36 H48B-F-1L-CV-2PG36</p>	

HC Plastic shell

<p>Upper shell Jacking wire</p> 	<p>thread PAFS18 Form HC.P-TE-2B-PAFS18</p>	<p>Order No 130 008 410 1091</p> 
<p>Lower shell of flying wire</p> 	<p>thread PAFS18 Form HC.P-CCT-1L-PAFS18</p>	<p>Order No 130 008 727 1001</p> 



Heavy-Duty Connector



10A Technical parameters of cold pressed contact pin

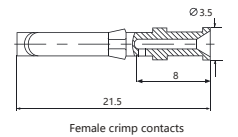
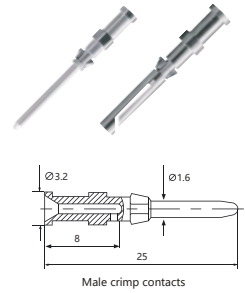
Contacts resistance: $\leq 3m\Omega$

Material:copper

Terminal:crimp connection

Wire gauge	Stripping length		Contacts,Silver-plated	Contacts,Gold-plated
	0.5mm ²	AWG 20	8.0mm	CDSM-0.5
0.75mm ²	AWG 18	8.0mm	CDSM-0.75	CDGM-0.75
1.0mm ²	AWG 18	8.0mm	CDSM-1.0	CDGM-1.0
1.5mm ²	AWG 16	8.0mm	CDSM-1.5	CDGM-1.5
2.5mm ²	AWG 14	8.0mm	CDSM-2.5	CDGM-2.5

Wire gauge	Stripping length		Contacts,Silver-plated	Contacts,Gold-plated
	0.5mm ²	AWG 20	8.0mm	CDSF-0.5
0.75mm ²	AWG 18	8.0mm	CDSF-0.75	CDGF-0.75
1.0mm ²	AWG 18	8.0mm	CDSF-1.0	CDGF-1.0
1.5mm ²	AWG 16	8.0mm	CDSF-1.5	CDGF-1.5
2.5mm ²	AWG 14	8.0mm	CDSF-2.5	CDGF-2.5



16A Technical parameters of cold pressed contact pin

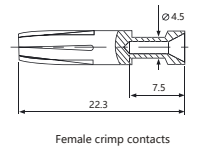
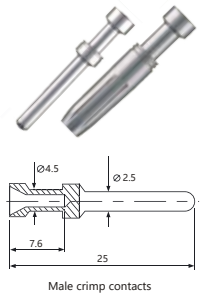
Contacts resistance: $\leq 1m\Omega$

Material:copper

Terminal:crimp connection

Wire gauge	Stripping length		Contacts,Silver-plated	Contacts,Gold-plated
	0.5mm ²	AWG 20	7.5mm	CESM-0.5
0.75mm ²	AWG 18	7.5mm	CESM-0.75	CEGM-0.75
1.0mm ²	AWG 18	7.5mm	CESM-1.0	CEGM-1.0
1.5mm ²	AWG 16	7.5mm	CESM-1.5	CEGM-1.5
2.5mm ²	AWG 14	7.5mm	CESM-2.5	CEGM-2.5
4.0mm ²	AWG 12	7.5mm	CESM-4.0	CEGM-4.0

Wire gauge	Stripping length		Contacts,Silver-plated	Contacts,Gold-plated
	0.5mm ²	AWG 20	7.5mm	CESF-0.5
0.75mm ²	AWG 18	7.5mm	CESF-0.75	CEGF-0.75
1.0mm ²	AWG 18	7.5mm	CESF-1.0	CEGF-1.0
1.5mm ²	AWG 16	7.5mm	CESF-1.5	CEGF-1.5
2.5mm ²	AWG 14	7.5mm	CESF-2.5	CEGF-2.5
4.0mm ²	AWG 12	7.5mm	CESF-4.0	CEGF-4.0



40A Technical parameters of cold pressed contact pin

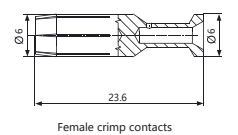
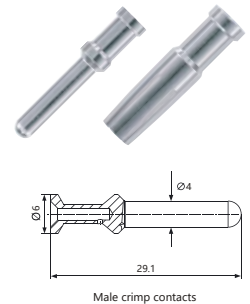
Contacts resistance: $\leq 4m\Omega$

Material:copper

Terminal:crimp connection

Wire gauge	Stripping length		Contacts,Silver-plated	Contacts,Gold-plated
	1.75mm ²	AWG 16	8.0mm	CMSM-1.5
2.25mm ²	AWG 14	8.0mm	CMSM-2.5	CMGM-2.5
2.85mm ²	AWG 12	8.0mm	CMSM-4.0	CMGM-4.0
3.50mm ²	AWG 10	8.0mm	CMSM-6.0	CMGM-6.0

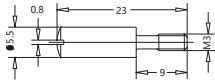
Wire gauge	Stripping length		Contacts,Silver-plated	Contacts,Gold-plated
	1.75mm ²	AWG 16	8.0mm	CMSF-1.5
2.25mm ²	AWG 14	8.0mm	CMSF-2.5	CMGF-2.5
2.85mm ²	AWG 12	8.0mm	CMSF-4.0	CMGF-4.0
3.50mm ²	AWG 10	8.0mm	CMSF-6.0	CMGF-6.0



Data ,CAD,3D document please refer to: WWW.VELLEDQ.COM

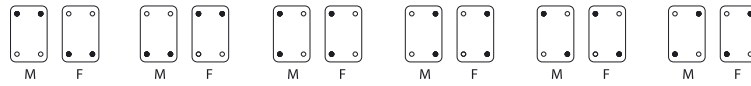
Heavy-Duty Connector

Code pin

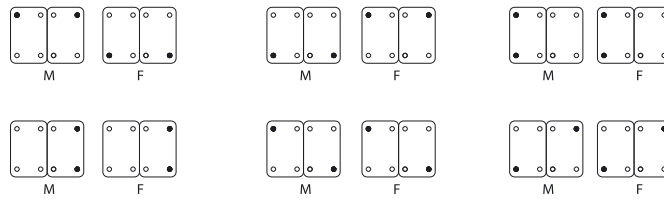


type
CODE-M3

For hoods/housing with one inserts/one frames



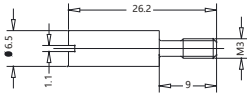
For hoods/housing with two inserts/two frames



●Code pins
○ normal mounting screw

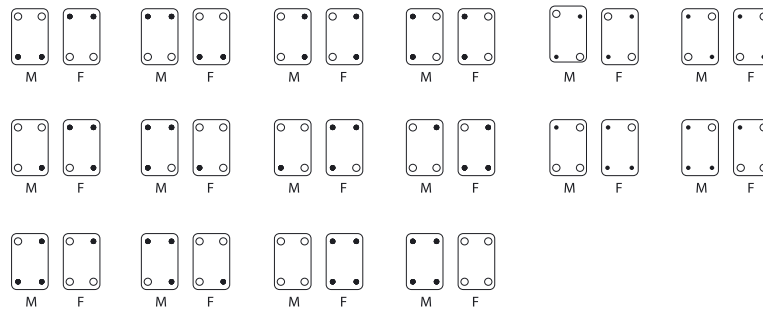
Male connector
Female connector

Guide bush

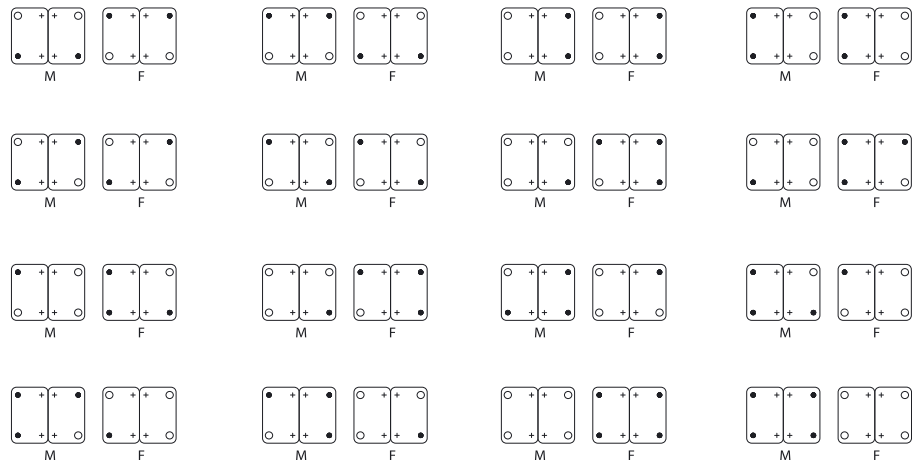


type
GBUSH-M3

For hoods/housing with one inserts/one frames



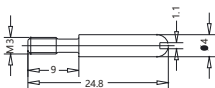
For hoods/housing with two inserts/two frames



○Guide bush
●Guide pin
+ Normal mounting screw

Male connector
Female connector

Guide pin

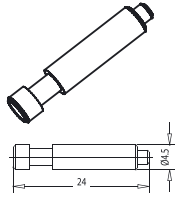


type
GPIN-M3



Heavy-Duty Connector

Code pin



① use of the coding pin prevents incorrect mating to other connectors of the same type

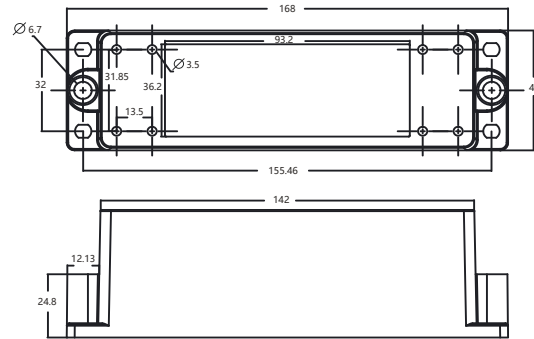
② For HEC, HEE, HQ 5/0, HM-006, HM-008

③ The male pin should be omitted from the opposing cavity in the male insert.

type

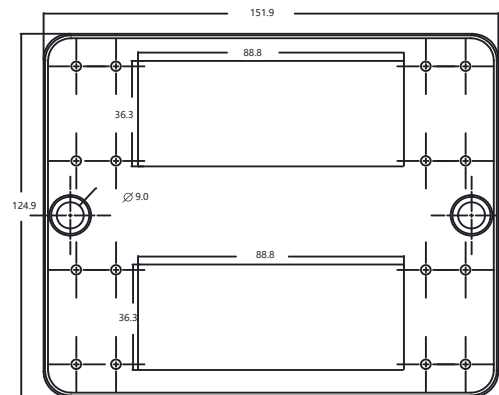
CODE-E

Terminal box



type

WL-16/24-1T(blue)	5	101	69	101
WL-16/24-2T(blue)	5	102	70	102
WL-16/24-1T(grey)	5	201	69	103
WL-16/24-2T(grey)	5	202	70	104
WL-16/24-1T(orange)	5	301	69	105
WL-16/24-2T(orange)	5	302	70	106
WL-16/24-1T(black)	5	401	69	107
WL-16/24-2T(black)	5	402	70	108



Tools



HD needle extractor				
TL00				

HD Needle extractor
Removal tool for crimp contacts(HD,HDD,HM)

HEE needle extractor				
TL01				

HEE Needle extractor
Removal tool for crimp contacts(HEC,HEE,HM)

HMK Module needle extractor				
TL06				

HM Module Needle extractor
Removal tool for crimp contacts(HMK Module)

HM Module needle extractor				
TL08				

HM Module Needle extractor
Removal tool for crimp contacts(HMDSModule, D-SUB)



Heavy-Duty Connector

Crimping Tool

5A Cold press pliers



Crimping wire diameter
0.09-0.82mm²

Form
TL03

Order No
198 001 001 0002

10A/16A Cold press pliers



Crimping wire diameter
0.14-4mm²
1.5-6mm²

Form
TL02
TL02-0

Order No
198 001 001 0001
198 001 001 0006

10A/16A/40A Cold press pliers



Crimping wire diameter
0.14-4mm²
1.5-6mm²
4/6/10mm²

Form
TL02G
TL02-0G
TL02-3G

Order No
198 001 001 0011
198 001 001 0012
198 001 001 0013

The specification of 0.37mm for 16A plug cannot be crimped

10A/16A/40A Cold clamp with digital display



Crimping wire diameter
0.14-6mm²

Form
TL02-2G

Order No
198 001 001 0014

100A-650A High current manual hydraulic tong



describe Crimping wire diameter Form
Output: automatic pressure relief 10-240mm² TL05
output: 13T
weight: 6.2kg

Order No
198 001 001 0005

100A-650A Large current electric hydraulic tong



Crimping wire diameter
10-240mm²

Form
TL05-EA

Order No
198 001 001 0020

100A-650A High current manual hydraulic tong



Crimping wire diameter
10-240mm²

Form
TL05G

Order No
198 001 001 0019

100A-650A Large current electric hydraulic tong

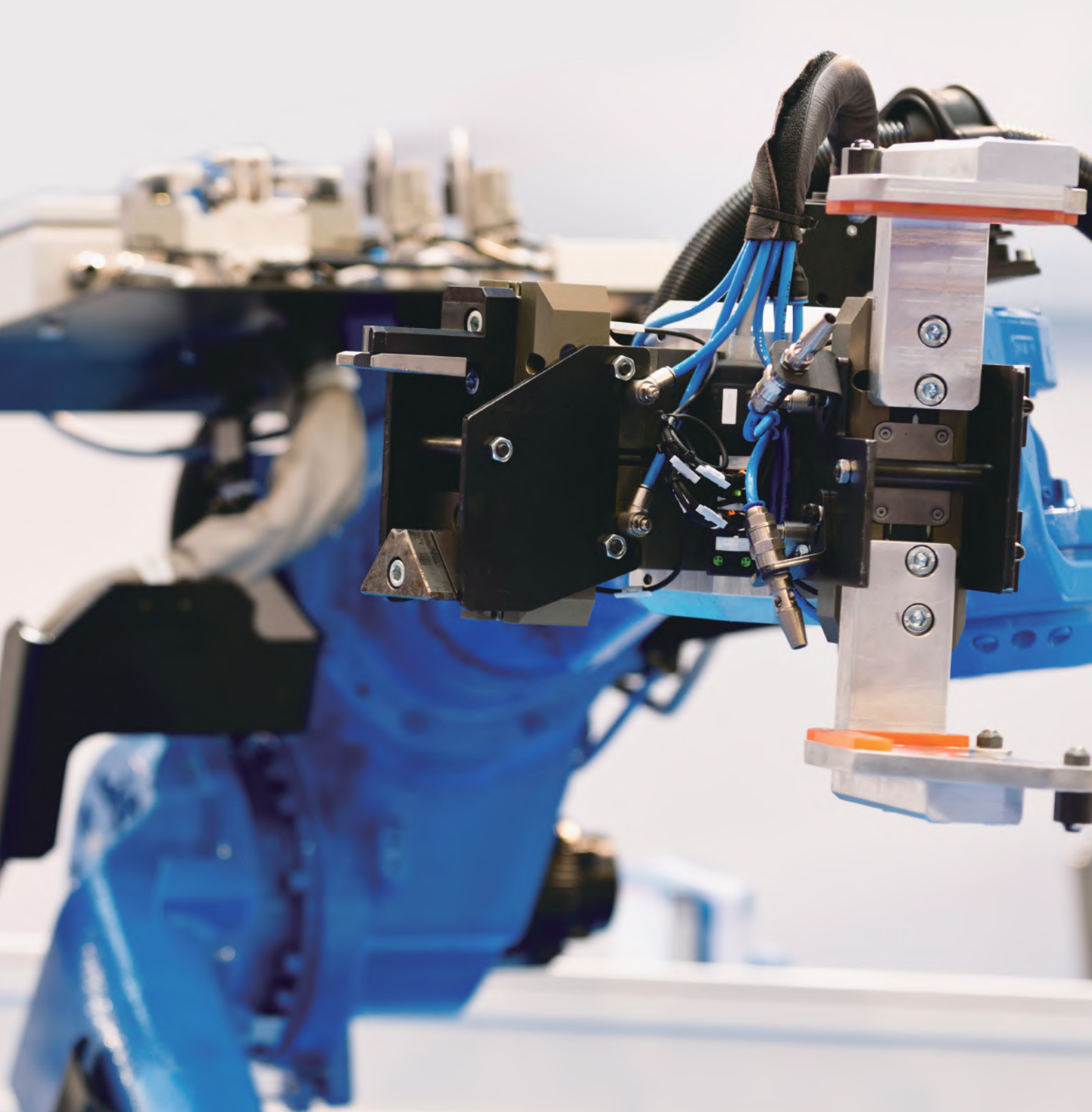


Crimping wire diameter
10-240mm²

Form
TL05G-EA

Order No
198 001 001 0021



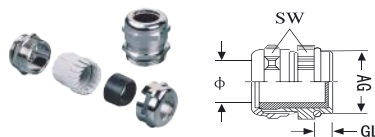


Cable Connector



Cable Connector

cable fitting and accessories



Cable gland, IP68, brass nicked-plated

Thread	Clamping range	AG	SW	GL	Designation
PG					
PG7	3-6.5	12.5	14	6	WLA-PG7(3-6.5)
PG9	4-8	15.2	18	6.5	WLA-PG9(4-8)
PG11	5-10	18.6	20	7	WLA-PG11(5-10)
PG13.5	6-12	20.4	22	7.5	WLA-PG13.5(6-12)
PG16	8-14	22.5	25	7	WLA-PG16(8-14)
PG21	13-18	28.3	30	8	WLA-PG21(13-18)
PG29	18-25	37	40	9.5	WLA-PG29(18-25)
PG36	22-32	47	50	12	WLA-PG36(22-32)
PG42	31-38	54	58	12	WLA-PG42(31-38)
PG48	37-44	59.3	65	12	WLA-PG48(37-44)

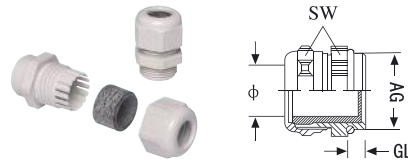
Metric					
M12×1.5	3-6.5	12	14	6	WLA-M12(3-6.5)
M14×1.5	3-6.5	14	15	6	WLA-M14(3-6.5)
M16×1.5	4-8	16	18	6.5	WLA-M16(4-8)
M16×1.5	5-10	16	20	6.5	WLA-M16(5-10)
M18×1.5	5-10	18	20	7	WLA-M18(5-10)
M20×1.5	6-12	20	22	8	WLA-M20(6-12)
M20×1.5	8-14	20	27	8	WLA-M20(8-14)
M22×1.5	8-14	22	24	8	WLA-M22(8-14)
M24×1.5	8-14	24	27	8	WLA-M24(8-14)
M25×1.5	9-16	25	27	7.5	WLA-M25(9-16)
M25×1.5	13-18	25	30	7.5	WLA-M25(13-18)
M32×1.5	15-22	32	35	8.5	WLA-M32(15-22)
M32×1.5	18-25	32	40	8.5	WLA-M32(18-25)
M40×1.5	18-25	40	45	12	WLA-M40(18-25)
M40×1.5	22-32	40	45	12	WLA-M40(22-32)
M50×1.5	22-31	50	57	12	WLA-M50(22-32)
M50×1.5	31-38	50	57	12	WLA-M50(31-38)
M63×1.5	37-44	63	65	12	WLA-M63(37-44)



Cable Connector

cable fitting and accessories

Material	Ployamide	Temperature range	-40°C - +100
Seal material	NBR	Protection degree	IP68
Press seal material	PA		



Thread	Clamping range	AG	SW	GL	Designation
PG					
PG7	3-6.5	12.5	15	8	WLAP-PG7/B (B-black, G-white)
PG9	4-8	15.2	19	8	WLAP-PG9/B (B-black, G-white)
PG11	5-10	18.3	22	8	WLAP-PG11/B (B-black, G-white)
PG13.5	6-12	20.4	24	10	WLAP-PG13.5/B (B-black, G-white)
PG16	8-14	22.5	27	10	WLAP-PG16/B (B-black, G-white)
PG21	13-18	28.3	33	11	WLAP-PG21/B (B-black, G-white)
PG29	18-25	37	42	11	WLAP-PG29/B (B-black, G-white)
PG36	22-32	47	52	13	WLAP-PG36/B (B-black, G-white)
PG42	31-38	54	59	14.5	WLAP-PG42/B (B-black, G-white)
PG48	37-44	59.3	65	14	WLAP-PG48/B (B-black, G-white)

Metric					
M12×1.5	3-6.5	12	16.7	7	WLAP-M12/B (B-black, G-white)
M16×1.5	4-8	16	19	8	WLAP-M16/B (B-black, G-white)
M18×1.5	5-10	18	22	8	WLAP-M18/B (B-black, G-white)
M20×1.5	5-10	20	24	10	WLAP-M20/B (B-black, G-white)
M20×1.5	6-12	20	24	10	WLAP-M20/B (B-black, G-white)
M22×1.5	10-14	22	27	10	WLAP-M22/B (B-black, G-white)
M25×1.5	13-18	25	33	11	WLAP-M25/B (B-black, G-white)
M32×1.5	18-25	32	42	11	WLAP-M32/B (B-black, G-white)
M40×1.5	22-32	40	52	13	WLAP-M40/B (B-black, G-white)
M50×1.5	31-38	50	60	13	WLAP-M50/B (B-black, G-white)
M63×1.5	37-44	63	65	14	WLAP-M63/B (B-black, G-white)

Cross reference from PG thread to metric cable thread

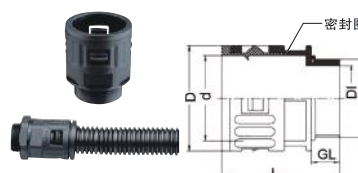
PG		Metric/M
PG11	→	M20
PG13.5	→	M25
PG16	→	M32
PG21	→	M40
PG29	→	M50
PG36	→	M63
PG42	→	M63
PG48	→	M63



Cable Connector

cable fitting and accessories

Material PA
 Temperature range -20°C~+80°C
 Protection degree IP40-IP65



Thread	d	GL	DI	D	Designation
PG					
PG7	AD10	10	7	17	WLCP-PG7/AD10
PG9	AD13	10	8	20	WLCP-PG9/AD13
PG11	AD15.8	10	12.5	23	WLCP-PG11/AD15.8
PG13.5	AD18.5	11	13.5	25	WLCP-PG13.5/AD18.5
PG13.5	AD21.2	12	15.4	29.5	WLCP-PG13.5/AD21.2
PG16	AD21.2	12	17	29.5	WLCP-PG16/AD21.2
PG21	AD28.5	12	23.5	37	WLCP-PG21/AD28.5
PG29	AD34.5	12	30	44	WLCP-PG29/AD34.5
PG36	AD42.5	12	36.5	51.5	WLCP-PG36/AD42.5
PG48	AD54.5	16	48	65.5	WLCP-PG48/AD54.5
Metric					
M12×1.5	AD10	10	7	17	WLCP-M12/AD10
M12×1.5	AD13	10	7	20	WLCP-M12/AD13
M16×1.5	AD13	10	8	20	WLCP-M16/AD13
M18×1.5	AD15.8	10	12.5	23	WLCP-M18/AD15.8
M20×1.5	AD15.8	10	12.5	23	WLCP-M20/AD15.8
M20×1.5	AD18.5	11	13.5	25	WLCP-M20/AD18.5
M20×1.5	AD21.2	12	15.4	29.5	WLCP-M20/AD21.2
M25×1.5	AD21.2	13	17	29.5	WLCP-M25/AD21.2
M25×1.5	AD28.5	13	20.5	37	WLCP-M25/AD28.5
M32×1.5	AD28.5	15	23.5	37	WLCP-M32/AD28.5
M40×1.5	AD34.5	15	30.5	44	WLCP-M40/AD34.5
M40×1.5	AD42.5	15	35	51.5	WLCP-M40/AD42.5
M50×1.5	AD42.5	15	36.5	51.5	WLCP-M50/AD42.5
M50×1.5	AD54.5	16	44	65.5	WLCP-M50/AD54.5
M63×1.5	AD54.5	16	48	65.5	WLCP-M63/AD54.5



Cable Connector

cable fitting and accessories

Plastic hose connector
(Equipped with plastic corrugated pipe)

Material Metal
Temperature range -20°C~+80°C
Protection degree IP40-IP65



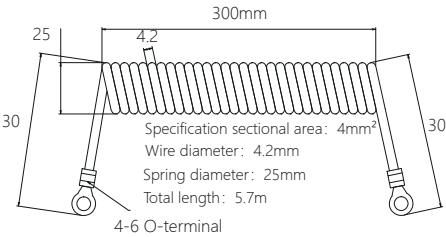
Thread	d	GL	DI	D	Designation
PG					
PG7	AD10	10	7	17	WLC-PG7/AD10
PG9	AD13	10	8	20	WLC-PG9/AD13
PG11	AD15.8	10	12.5	23	WLC-PG11/AD15.8
PG13.5	AD18.5	11	13.5	25	WLC-PG13.5/AD18.5
PG13.5	AD21.2	12	15.4	29.5	WLC-PG13.5/AD21.2
PG16	AD21.2	12	17	29.5	WLC-PG16/AD21.2
PG21	AD28.5	12	23.5	37	WLC-PG21/AD28.5
PG29	AD34.5	12	30	44	WLC-PG29/AD34.5
PG36	AD42.5	12	36.5	51.5	WLC-PG36/AD42.5
PG48	AD54.5	16	48	65.5	WLC-PG48/AD54.5
Metric					
M12×1.5	AD10	10	7	17	WLC-M12/AD10
M12×1.5	AD13	10	7	20	WLC-M12/AD13
M16×1.5	AD13	10	8	20	WLC-M16/AD13
M18×1.5	AD15.8	10	12.5	23	WLC-M18/AD15.8
M20×1.5	AD15.8	10	12.5	23	WLC-M20/AD15.8
M20×1.5	AD18.5	11	13.5	25	WLC-M20/AD18.5
M20×1.5	AD21.2	12	15.4	29.5	WLC-M20/AD21.2
M25×1.5	AD21.2	13	17	29.5	WLC-M25/AD21.2
M25×1.5	AD28.5	13	20.5	37	WLC-M25/AD28.5
M32×1.5	AD28.5	15	23.5	37	WLC-M32/AD28.5
M40×1.5	AD34.5	15	30.5	44	WLC-M40/AD34.5
M40×1.5	AD42.5	15	35	51.5	WLC-M40/AD42.5
M50×1.5	AD42.5	15	36.5	51.5	WLC-M50/AD42.5
M50×1.5	AD54.5	16	44	65.5	WLC-M50/AD54.5
M63×1.5	AD54.5	16	48	65.5	WLC-M63/AD54.5



Data ,CAD,3D document please refer to: WWW.VELLEDQ.COM

Cable Connector

cable fitting and accessories

product	describe	form
	Flat cable joint M20	WLBJT-M20
	Flat cable joint M25	WLBJT-M25
	Flat cable joint M32	WLBJT-M32
	Flat cable joint M40	WLBJT-M40
	M40 Nine core connector	WLHP-M09
	Anti trip switch latch	WLSK-DC2
		RVV-TH-4.0.PE



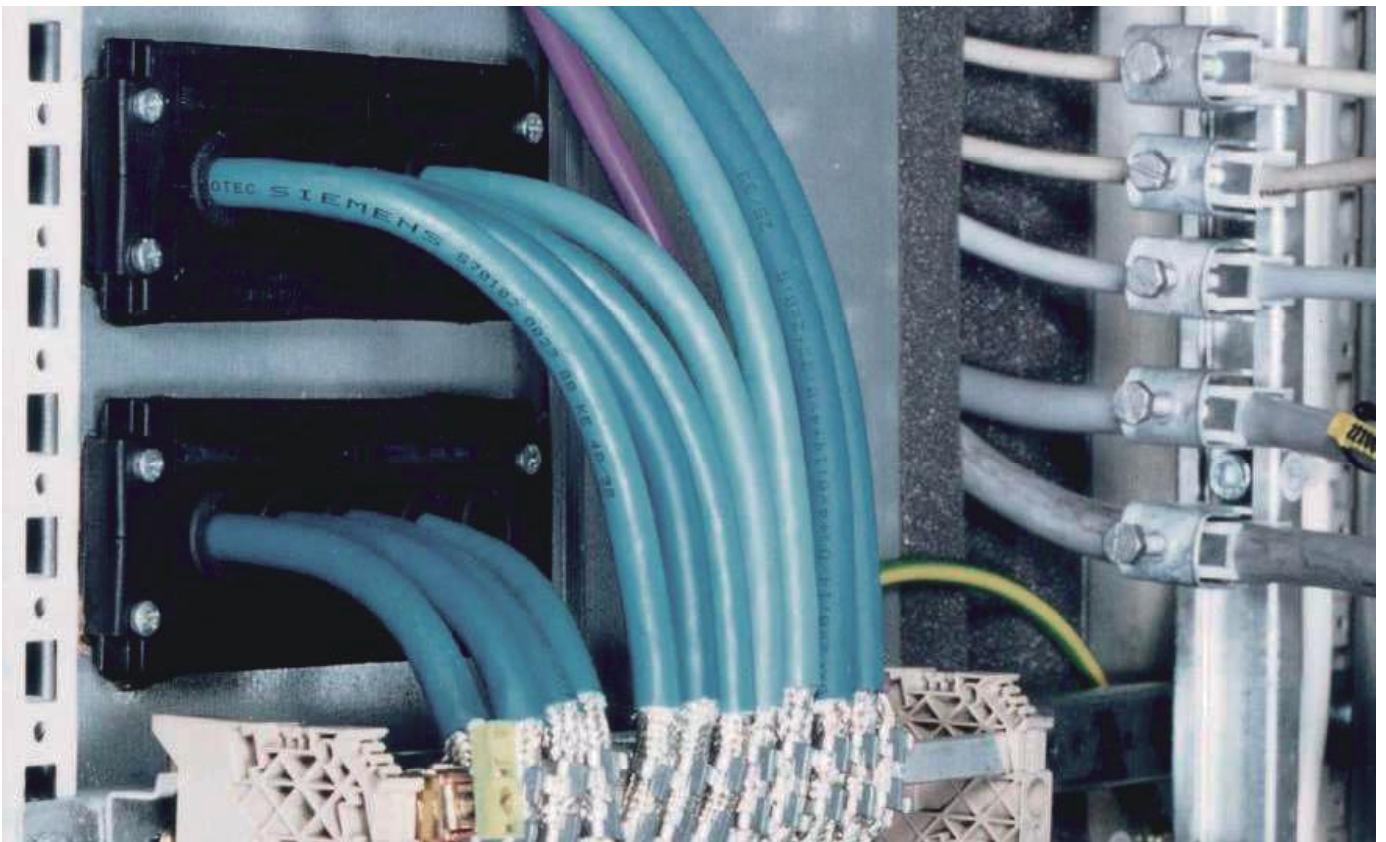


Cable Entry System



Cable Entry System

KDL Cable entry system



The prefabricated plug can be easily introduced into the control cabinet without cutting off the cable

- It can be penetrated without cutting off the power supply
- Easy to operate
- Degree of protection IP54
- High density cable layout
- Provide quality assurance of prefabricated cable manufacturer

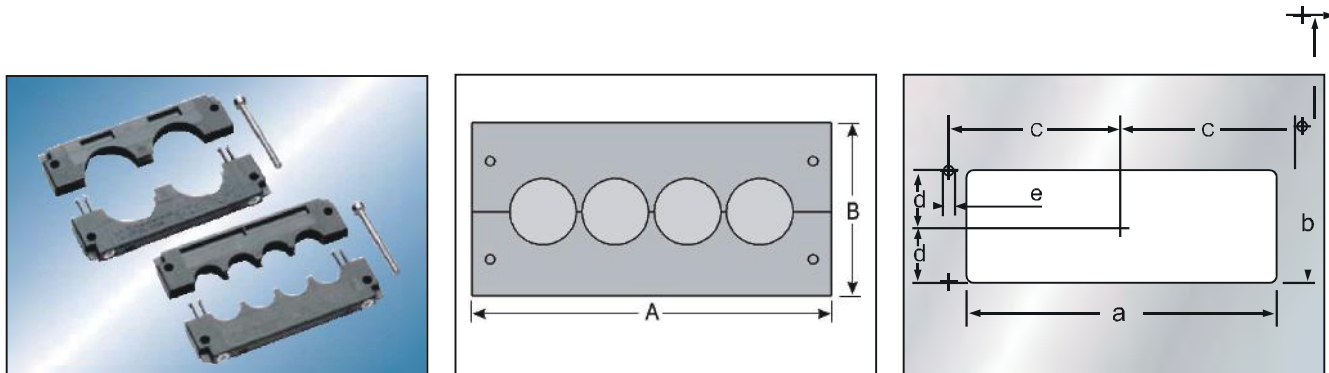


Model Selection Table

Product drawing	Form	Number of through wall holes	
		A	B
	KDL 16/2	2	0
	KDL 16/4	0	4
	KDL 24/3	2	1
 5 x 	KDL 24/5	0	5
 10 x 	KDL 2/10	0	10
	KDL 3/15	0	15
	KD/SG 16/3	0	3
	KD/SG 24/4	0	4



Cable bulkhead KDL



-40_80°C



PA6.6



V0

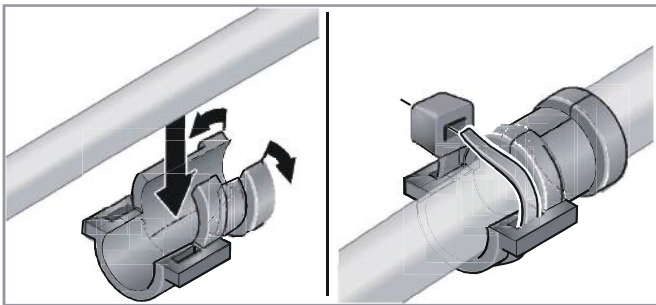


IP54

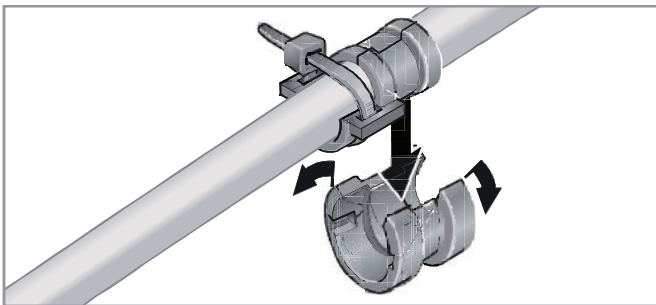
Form	colour	Number of holes Small/Large	A mm	B mm	Installation height mm	a mm	b mm	c mm	d mm	e mm	Number of packages pcs
Standard opening specification16											
KDL 16/2	black	-/2	116.0	58.0	10.0	86.0	36.0	51.5	16.0	5.5	1
KDL 16/4	black	4/-	116.0	58.0	10.0	86.0	36.0	51.5	16.0	5.5	1
Standard opening specification24											
KDL 24/3	black	1/2	146.0	58.0	10.0	112.0	36.0	65.0	16.0	5.5	1
KDL 24/5	black	5/-	146.0	58.0	10.0	112.0	36.0	65.0	16.0	5.5	1
Standard opening specification 10-30 cables											
KDL 2/10	black	10/-	146.0	90.0	10.0	120.0	60.0	65.0	32.0	5.5	1
KDL 3/15	black	15/-	146.0	122.0	10.0	120.0	96.0	65.0	48.0	5.5	1
Matching rubber ring: KDT/Z											



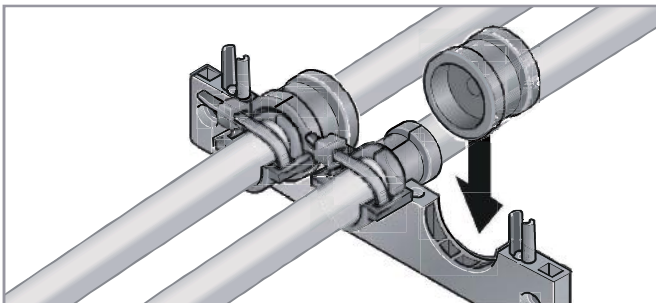
Installation method



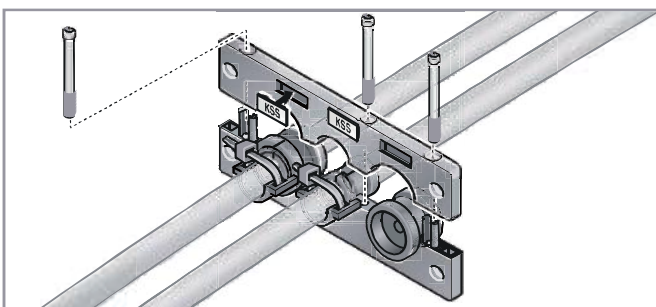
Step 1: Pass the cable through the sealing ring and fasten it



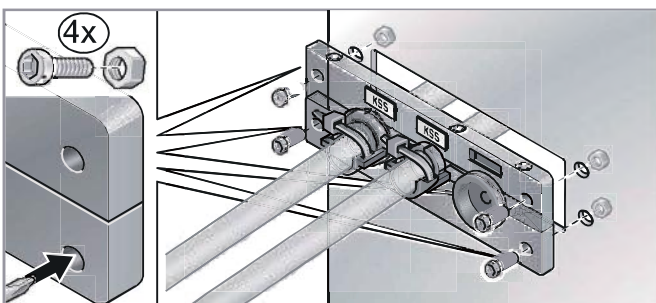
Step 2: Clip the sealing ring into the threading plate



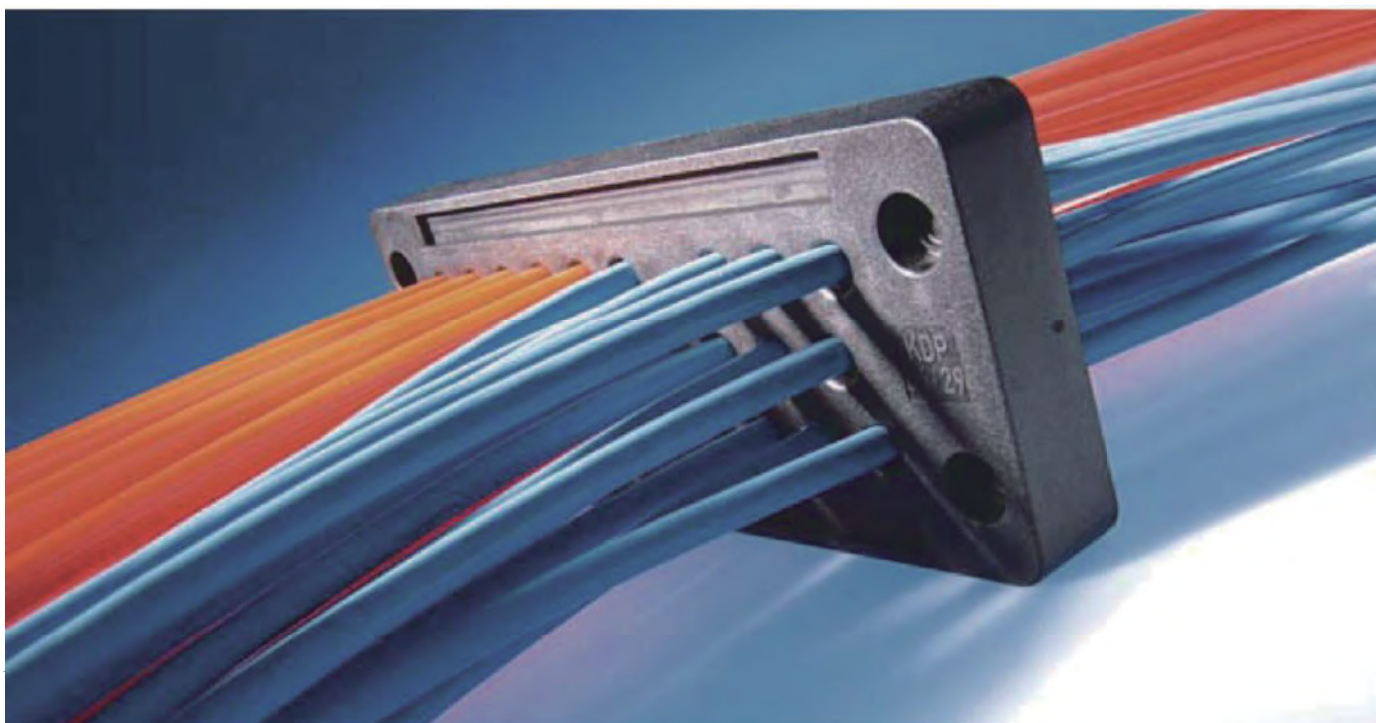
Step 3: Tighten the upper and lower parts of the threading plate



Step 4: Fix the threading plate on the box



KDP bulkhead system



advantage

- Significant time savings during installation
- Space demand is quite small
- Higher installation density
- Higher installation density
- Avoid mutual entanglement of cable ducts

In-line
Threading 22
Just 2 minutes

The cable entry system is faster than the traditional one in installation and threading speed Cable joints are 10 times faster, saving up to 50% of space As long as the plastic KDP is embedded in the wall of the control cabinet After the cable is fixed, the installation is completed Through the wall as a and fixture.

Mainly for control cabinet, system device and machinery Cables and gas pipes of the project. Any quick installation required With high installation density, it is used to protect the ground of the cable Square, can use through wall version



KDP bulkhead system



Save time and cost

When installing cables, the use of wall plate can realize the cost saving and burying. Insert the cable into the corresponding hole, Pull to the required length. Both cable and gas pipe are applicable



High installation density and smooth appearance

Strict design and tight perforation arrangement



Quick installation without tools

On the wall with a thickness of about 1.5mm to 2mm, as long as it is embedded in the position that has been installed first (notch) OK. KDP panel also has 4 screw holes (M5). The firmness of the installation can be improved as required.



Very high protection system

The protection grade reaches IP65 through the built-in protective layer and protective ring.



Sealing and tensile properties

After the cable passes through, the perforation will consciously produce sealing and tensile properties, because the perforation made of rubber has Locking function, so even if it is reused, the sealing and tensile properties of perforation will not change



Closed perforation

The closed type perforation has a special sealing mechanism, so although holes are reserved in the hole, its sealing performance depends on Good, so the perforation can be reused, and the sealing plug will seal the perforation again after the cable is pulled out.



Wall panel system KDP/N 24/x



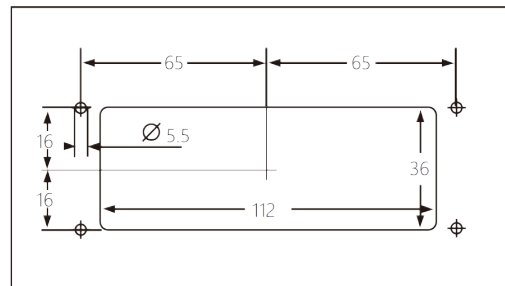
advantage

- Space saving
- Degree of protection IP65
- Built in sealing structure
- One way use mode with
- Possibility of cable representation



Material Science

Material: improved nylon (halogen free)
 temperature range: -30°C to +70°C
 Degree of protection: IP65
 Combustion supporting performance (UL94) : V0
 Color: black



technical parameter

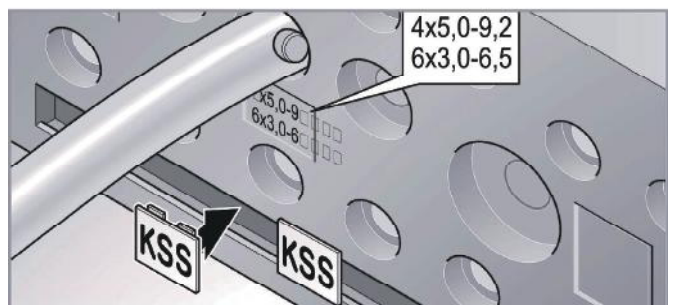
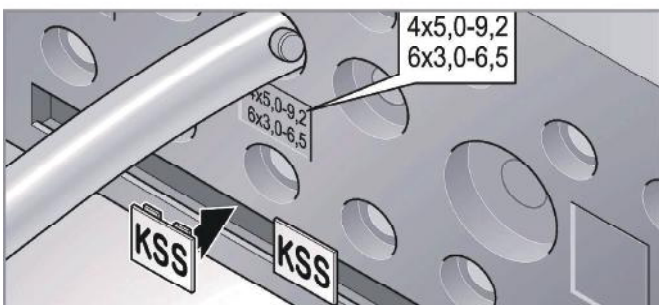
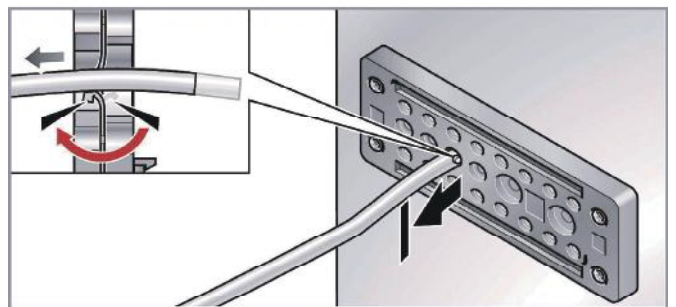
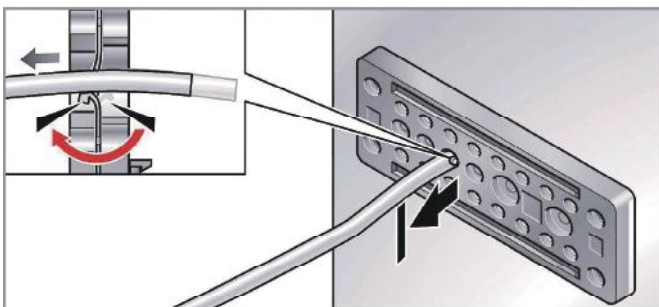
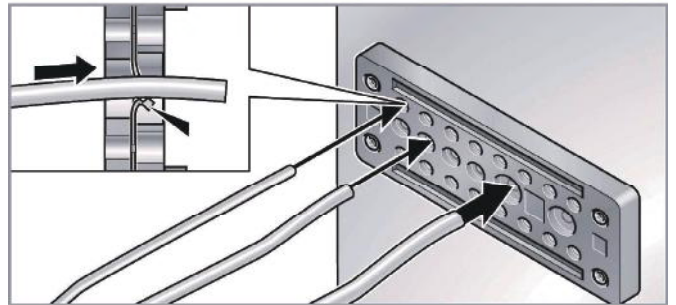
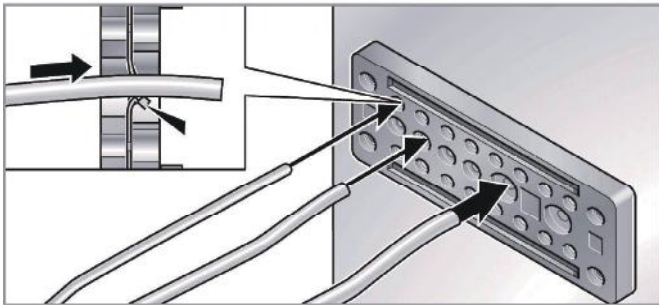
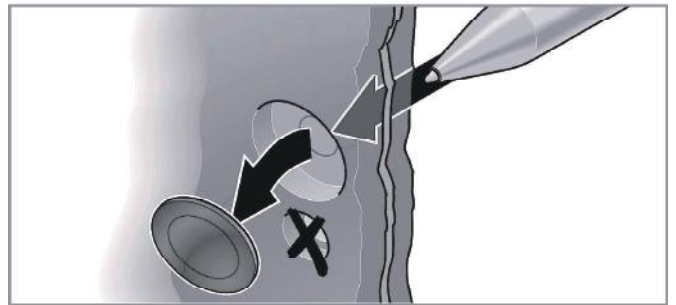
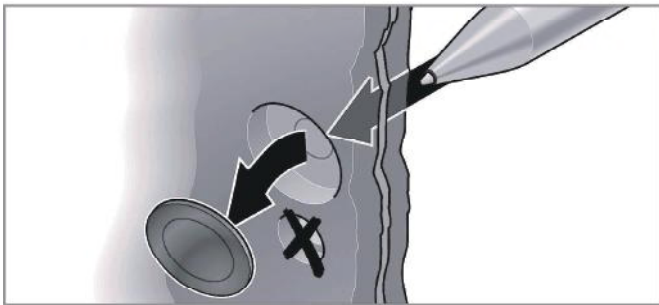
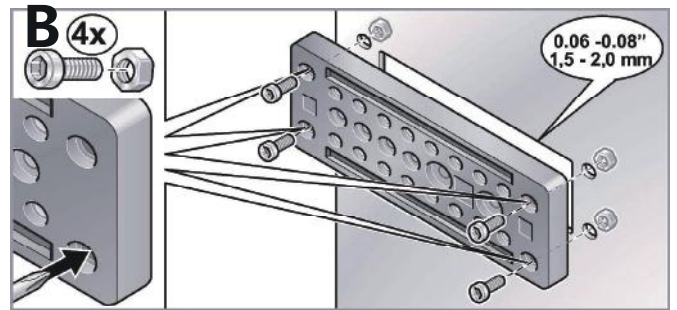
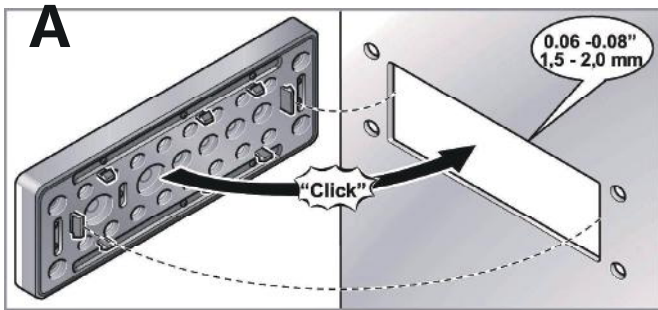
- Cutting surface 112*36mm
- KDPEXternal dimensions: L=147mm*, B=59mm*15m
- The tensile property conforms to DIN/EN 50262/98
- Anti weak acid and weak base

Form	Clamp range(mm)									Threading quantity pcs
	1.5-2.6	2.5-5.0	3.0-6.5	4.1-8.1	5.0-9.2	8.0-12.5	9.0-14.0	9.6-15.9	14.0-20.0	
KDP/N 24/11	-	-	4	-	4	-	-	-	3	11
KDP/N 24/12	-	-	-	-	-	12	-	-	-	12
KDP/N 24/13	-	-	2	6	-	-	4	-	1	13
KDP/N 24/14	-	-	6	-	4	-	-	4	-	14
KDP/N 24/17	-	-	-	-	17	-	-	-	-	17
KDP/N 24/17-1	-	-	11	1	-	5	-	-	-	17
KDP/N 24/22-1	-	-	16	-	4	2	-	-	-	22
KDP/N 24/22	-	-	15	-	6	-	-	-	1	22
KDP/N 24/23	-	-	-	23	-	-	-	-	-	23
KDP/N 24/29	-	-	29	-	-	-	-	-	-	29
KDP/N 24/29-1	-	-	26	-	3	-	-	-	-	29
KDP/N 24/80	78	2	-	-	-	-	-	-	-	80
KDP/N 24	-	-	-	-	-	-	-	-	-	0



Cable Entry System

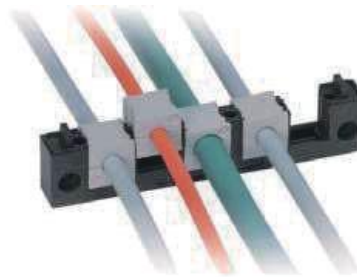
Installation



Cable Entry System

KEL Cable entry system

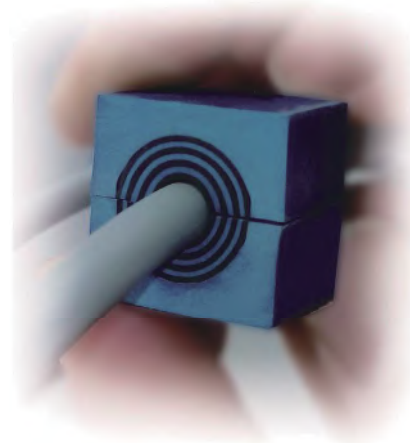
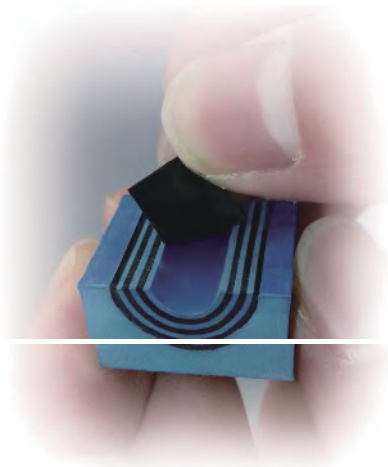
Removable through wall version - fixed wire diameter module



Material Science

Material: improved nylon (halogen free)
Temperature range: - 30 ° C to +70 ° C Protection grade: IP54
Combustion supporting performance (UL94) : V0
Color: black

Removable wall panel - variable diameter module



IP rating:IP65



Cable Entry System

KEL 16 DEVELOPABLE WALL PANEL



Put them separately

Frame model	Sketch Map	Number of KT modules Small/Large	Number of packages
KEL 16/8		8/-	10
KEL 16/5		4/1	10
KEL 16/4		4/-	10
KEL 16/2		-/2	10



Cable Entry System

KEL 24 developable wall panel



Frame model	Sketch Map	Number of KT modules Small/Large	Number of packages
KEL 24/15-E		15/-	1
KEL 24/12-E		11/1	1
KEL 24/9-E		7/2	1



Cable Entry System

KEL 24-2MT developable wall panel

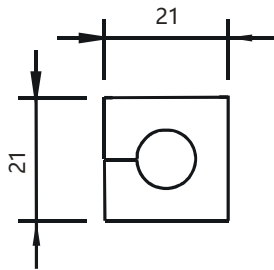


Frame model	Sketch Map	Number of KT modules Small/Large	Number of packages
KEL 24/30-2 MT		30/-	1
KEL 24/27-2 MT		26/1	1
KEL 24/24-2 MT		22/2	1
KEL 24/21-2 MT		18/3	1
KEL 24/12-2 MT		6/6	1



Cable Entry System

KT module (small)

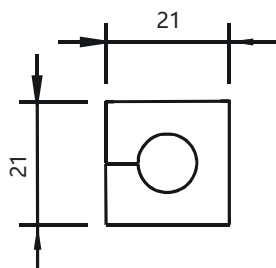


Sketch Map	model Black/Grey		Clamping range	Number of packages
BTK 	BTK(H)	BTK(h)	nothing	10
KT 		KT2(h)	2-3mm	10
		KT3(h)	3-4mm	10
		KT4(h)	4-5mm	10
		KT5(h)	5-6mm	10
		KT6(h)	6-7mm	10
		KT7(h)	7-8mm	10
		KT8(h)	8-9mm	10
		KT9(h)	9-10mm	10
		KT10(h)	10-11mm	10
		KT11(h)	11-12mm	10
		KT12(h)	12-13mm	10
		KT13(h)	13-14mm	10
		KT14(h)	14-15mm	10
		KT15(h)	15-16mm	10
	KT16(h)	16mm	10	
	KT17(h)	17mm	10	
KT tele 	KT tele(H)	KT tele(h)	Telephone cable	10
KT oval 	KT oval(H)	KT oval(h)		10
KT S1 	KT S1(H)	KT S1(h)		10



Cable Entry System

KT module (small)

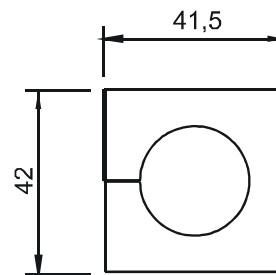


Sketch Map	model Black/Grey		Clamping range	Number of packages
KT 2/X 	KT 2/2(H)	KT 2/2(h)	2* Ø2mm	10
	KT 2/3(H)	KT 2/3(h)	2* Ø3mm	10
	KT 2/4(H)	KT 2/4(h)	2* Ø4mm	10
	KT 2/5(H)	KT 2/5(h)	2* Ø5mm	10
	KT 2/6(H)	KT 2/6(h)	2* Ø6mm	10
	KT 2/7(H)	KT 2/7(h)	2* Ø7mm	10
	KT 2/8(H)	KT 2/8(h)	2* Ø8mm	10
KT 4/X 	KT 4/2(H)	KT 4/2(h)	4* Ø2mm	10
	KT 4/3(H)	KT 4/3(h)	4* Ø3mm	10
	KT 4/4(H)	KT 4/4(h)	4* Ø4mm	10
	KT 4/5(H)	KT 4/5(h)	4* Ø5mm	10
	KT 4/6(H)	KT 4/6(h)	4* Ø6mm	10
KT AS12/rI 	KT-ASI(H)	KT-ASI(h)	1 ASI-Cable	10
	KT-ASI2/rI(H)	KT-ASI2/rI(h)	2 ASI-Cable	10
	KT AS12/ II	KT-ASI2/II(H)	KT-ASI2/II(h)	2 ASI-Cable
KT RS 	KT RS 12(H)	KT RS 12(h)		10
	KT RS 13(H)	KT RS 13(h)		10
	KT RS 16(H)	KT RS 16(h)		10



Cable Entry System

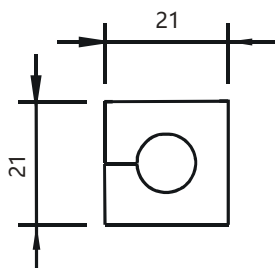
KT module (large)



Sketch Map	model Black/Grey		Clamping range	Number of packages
<p>ATG</p> 	ATG (H)	ATG (h)	Adapter insertion	10
<p>BTG</p> 	BTG (H)	BTG (h)	Filler block	10
<p>KT 28</p> 	KT 16 (H)	KT 16 (h)	16-17mm	10
	KT 17 (H)	KT 17 (h)	17-19mm	10
	KT 18 (H)	KT 18 (h)	18-20mm	10
	KT 19 (H)	KT 19 (h)	19-20mm	10
	KT 20 (H)	KT 20 (h)	20-21mm	10
	KT 21 (H)	KT 21 (h)	21-22mm	10
	KT 22 (H)	KT 22 (h)	22-23mm	10
	KT 23 (H)	KT 23 (h)	23-24mm	10
	KT 24 (H)	KT 24 (h)	24-25mm	10
	KT 25 (H)	KT 25 (h)	25-26mm	10
	KT 26 (H)	KT 26 (h)	26-27mm	10
	KT 27 (H)	KT 27 (h)	27-28mm	10
	KT 28 (H)	KT 28 (h)	28-29mm	10
	KT 29 (H)	KT 29 (h)	29-30mm	10
KT 30 (H)	KT 30 (h)	30-32mm	10	
KT 32 (H)	KT 32 (h)	32-33mm	10	
KT 34 (H)	KT 34 (h)	33-34mm	10	



KTMB5 traight through variable diameter module (module cannot be opened)



Sketch Map	Form	Module size	Clamping range	Number of packages
<p>In line module KTMB</p>	KTMB-A	Small	2.5-6.5mm	10
	KTMB-B	Small	4.0-7.7mm	10
	KTMB-C	Small	6.5-10mm	10
	KTMB-D	Small	9.5-13mm	10
	KTMB-E	Small	13-16mm	10
	KTMB-G	large	13-18mm	10
	KTMB-H	large	18-23mm	10
	KTMB-I	large	23-28mm	10
	KTMB-J	large	28-33mm	10
	KTMB-K	large	2*13-18mm	10



SST module plug (for KT/KTMB module)



Sketch Map	Form	diameter (D)	length (L)	Number of packages
	ST2	2.0mm	25mm	25
	ST3	3.0mm	25mm	25
	ST4	4.0mm	25mm	25
	ST5	5.0mm	25mm	25
	ST6	6.0mm	25mm	25
	ST7	7.0mm	25mm	25
	ST8	8.0mm	20mm	25
	ST9	9.0mm	20mm	25
	ST10	10.0mm	20mm	25
	ST11	11.0mm	20mm	25
	ST12	12.0mm	20mm	25
	ST13	13.0mm	20mm	25
	ST14	14.0mm	20mm	25
	ST15	15.0mm	20mm	25
	ST16	16.0mm	20mm	25
	ST17	17.0mm	20mm	25

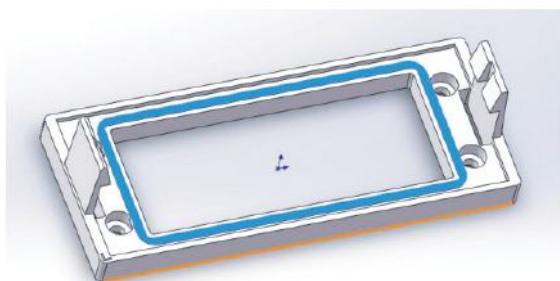
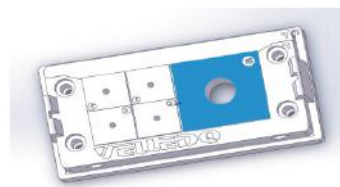
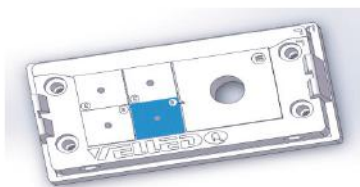


Cable Entry System

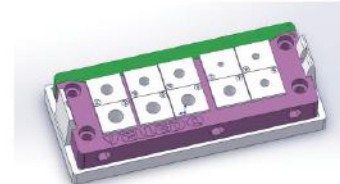
Foldable panel fixing seat



Order No:KC-16B



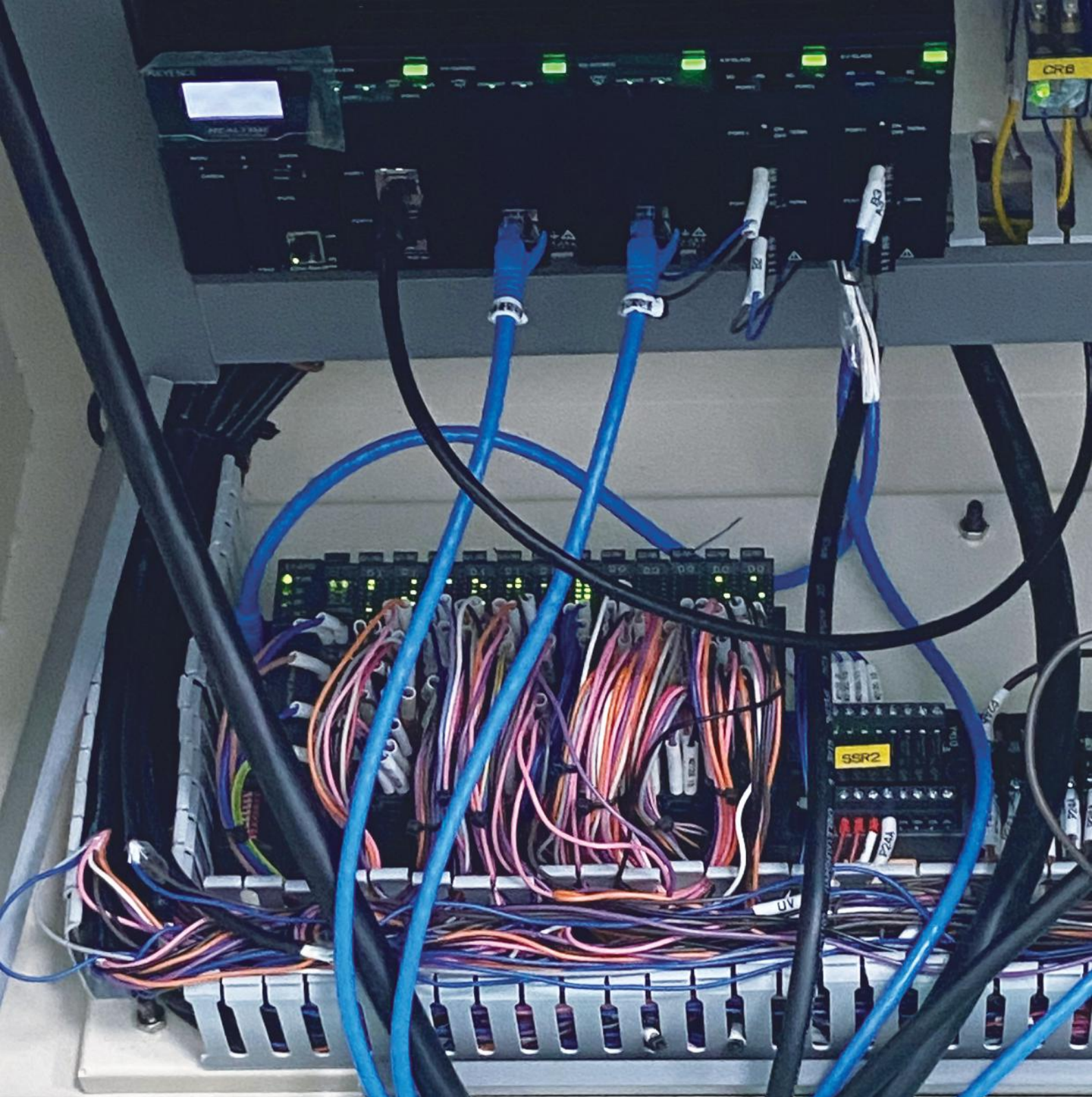
Order No:KC-24B



Installation dimension of through wall panel opening

Form	Dimension drawing	Opening size
KEL 16/X		Opening size: 36-86
KEL 24/X		Opening size: 36*112
KEL 24/X-E		Opening size: 62*112
KEL 24/X-MT		Opening size: 82*112
KEL 24/X-2MT		Opening size: 126*112





IP20 Remote IO Module

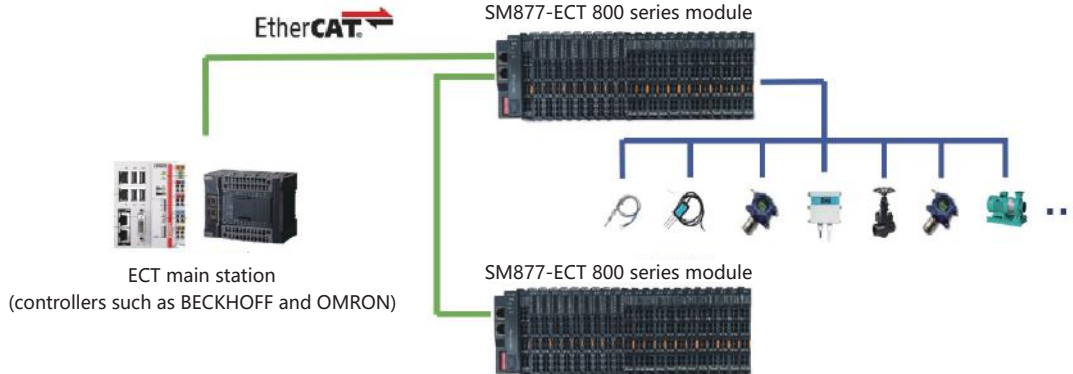


Ether CAT Coupler



ISO 9001 (2015) quality management system

Application Sketch



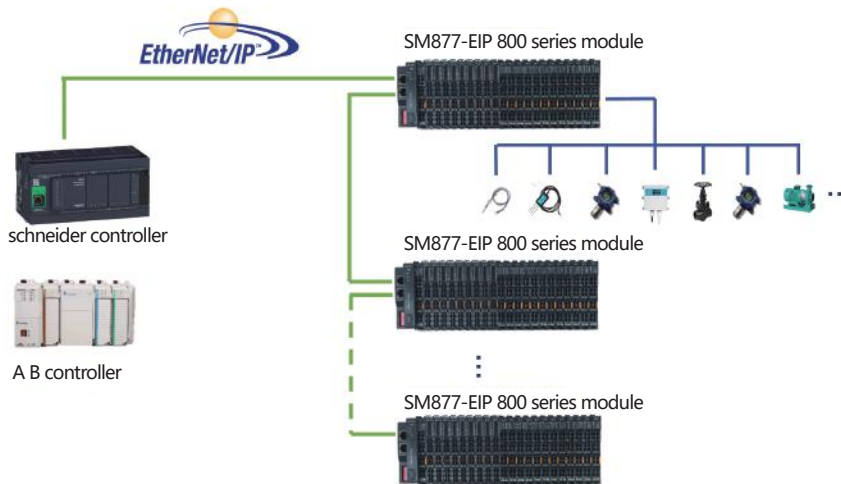
Ordering Data		
Partnumber	DPMK-EC	DPMK-EC-IS
General Description	2 RJ45 interfaces, 24VDC power supply, stable performance and strong anti-interference performance	
Technical Specifications		
Electrical Interface	RJ45	
Power Supply Input Output Power Supply	24VDC (rated), output current<10A	
Operating Current loss	≥10mA	
Bus+5VDC Current Capacity	<2A (If the number of expansion modules exceeds 16, please be sure to add an SM898-24D05 power relay module)	
Whether To Connect CPU	Yes (independent as a slave)	
Support Agreement	EtherCAT slave station	
Slave Settings		
Address Settings	Configured by the dip switch or assigned by the master station	
Maximum Number Of Stations Per Segment	255	
Quarantine		
Between Channels And Buses	Have	
Power To Bus	Have	
The Number Of Built-in IO In The Body	Not have	
Display Indication	Power supply+24V green light, BF red light, SF red light, NET red light	
System Power Diagnosis And Warnings	Support	
Work Environment	Working environment temperature: -10~55 °C, relative humidity: 5%~90% (without condensation)	
Dimension (length × Wide × High)	50*100*70	
Product Features	2 RJ45 interfaces, 100Mbit/s As an independent EtherCAT slave station,expandable to 32 SM800 modules	
	Bus, power isolation technology, and reliability	Provide a standalone XML file





ISO 9001 (2015) quality management system

Application Sketch



Ordering Data	
Partnumber	DPMK-NI
General Description	2 RJ45 interfaces, 24VDC power supply, stable performance and strong anti-interference performance
Technical Specifications	
Electrical Interface	2 RJ45 interfaces with switch function
Power Supply Input Output Power Supply	24VDC (rated), output current < 10A
Operating Current loss	≥ 10mA
Bus+5VDC Current Capacity	< 2A (If the number of expansion modules exceeds 16, please be sure to add an SM898-24D05 power relay module)
Whether To Connect CPU	Yes (independent as a slave)
Support Agreement	EtherNet/IP
The Number Of Built-in IO InThe Body	Not have
Number Of Expandable Modules	32 SM800 series modules
Product Features	Scalable up to 32 SM800 series modules 2 RJ45 interfaces, supporting switch functionality Web page configuration communication parameters EtherNet/IP protocol bus



Digital Input



ISO 9001 (2015) quality management system

Partnumber	DPMK-8DIP	DPMK-8DIN	DPMK-16DIP	DPMK-16DIN	DPMK-32DIP	DPMK-32DIN
General Description	8-point input, 24VDC Stable performance and strong anti-interference performance		16 point input, 24VDC Stable performance and strong anti-interference performance		32 point input, 24VDC Stable performance and strong anti-interference performance	
Technical Specifications						
Input Points	8		16		32	
Bus 5VDC Consumption Current (At Full load)	43mA	55mA	60mA		94mA	117mA
Cable length (Unshielded)	100m					
Input Voltage						
Rated Voltage	24VDC					
'0' Signal	Maximum 5VDC, 1mA					
'1' Signal	Minimum 15VDC,2.5mA					
Input Delay						
From 0 To 1, Minimum	2~3 ms (expanding 8 modules), 4~6 ms (typical value of expanding 32 modules)					
From 1 To 0, Minimum	2~3 ms (expanding 8 modules), 4~6 ms (typical value of expanding 32 modules)					
Input Characteristics	Source type	Leakage type	Source type	Leakage type	Source type	Leakage type
Permissible Static Current	1mA					
Insulation Test Voltage	500VDC					
Quarantine						
Between Channels And Buses	Have					
Inter-Channel	Have					
Display Indication	Green LED display for each channel input					
System Power Diagnosis And Warnings	Support					
Work Environment	Working environment temperature: -10~55 °C, relative humidity: 5%~90% (without condensation)					
Dimension (length × Wide × High)	12*100*68				27*100*68	
Product Features	Input optoelectronic isolation,Hardware 200us filtering,Bus and channel isolation technology, reliable					



Data ,CAD,3D document please refer to: WWW.VELLEDQ.COM

Digital Output



ISO 9001 (2015) quality management system

Partnumber	DPMK-4D0JD	DPMK-4D0P	DPMK-4D0N	DPMK-8D0P	DPMK-8D0N	DPMK-16D0P	DPMK-16D0N	DPMK-32D0P	DPMK-32D0N	
General Description	4-point relay output Exit, 220VAC	4-point transistor output Exit, 24VDC		8-point transistor output Exit, 24VDC		16-point transistor output Exit, 24VDC		32-point transistor output Exit, 24VDC		
Technical Specifications										
Type Of Output	Relay	PNP type	NPN type	PNP type	NPN type	PNP type	NPN type	PNP type	NPN type	
Input Points	4			8		16		32		
Bus 5VDC Consumption Current (At Full load)	44mA	41mA	50mA	67mA	66mA	57mA	84mA	138mA		
Cable length (Unshielded)	100m									
Short Circuit Protection	---	Yes, electronic (specific model)								
leakage Current	---	< 1mA								
Maximum lamp load	---	5W								
Output Current '1'	2A	2.5A		0.5A						
Contact Mechanical life	100Worder	---								
Contact Electrical life (Rated load)	10Worder	---								
Switching Frequency										
Resistive load, Maximum	1HZ								100HZ	
Inductive load, Maximum	0.5HZ								0.5HZ	
lamp load, Maximum	1HZ								10HZ	
Mechanical load, Maximum	10HZ								---	
Insulation Test Voltage	500VDC									
Quarantine										
Between Channels And Buses	have									
Inter-Channel	have									
Display Indication	Each channel outputs a green LED display									
System Power Diagnosis And Warnings	Support									
Work Environment	Working environment temperature: -10~55 °C, relative humidity: 5%~90% (without condensation)									
Dimension (length × Wide × High)	12*100*68							27*100*68		
Product Features	Output photoelectric isolation, overvoltage and short circuit protection function, Bus and channel isolation technology, reliable									



Analog Input



ISO 9001 (2015) quality management system

Ordering Data				
Partnumber	DPMK-2AI-12XA-OM	DPMK-4AI-12XA-AV	DPMK-4AI-12XA-V	DPMK-4AI-12XA-A
General Description	2-channel input, voltage/current type Stable performance and strong anti-interference performance	4-channel input, voltage/current type Stable performance and strong anti-interference performance	4-channel input, voltage type Stable performance and strong anti-interference performance	4-channel input current mode Stable performance and strong anti-interference performance
Technical Specifications				
Input Points	2 inputs, voltage/current type	4 inputs, voltage/current mode	4 inputs, voltage type	4 inputs, current type
Input Type	Differential input			
Bus 5VDC Consumption Current(At Full load)	58mA	48mA	56mA	55mA
Input Type	Support			
Maximum Sustainable Voltage	30VDC			
Range				
Voltage (Unipolarity)	0~10V, 0~5V	0~10V, 0~5V	0~10V, 0~5V	--
Voltage (Bipolar)	±10V, ±5V	±10V, ±5V	±10V, ±5V	--
Current	0~20mA、4~20mA	0~20mA、4~20mA	--	0~20mA、4~20mA
Word				
Unipolar	0~32000, full scale			
Bipolar	-32000~32000, full scale			
Resolution Ratio				
Voltage (Unipolarity)	12 digits			
Voltage (Bipolar)	11 bit+sign bit			
Current	11 digits			
Analog-To-Digital Conversion Time	Less than 300us			
Analog Input Step Response	15ms to 95%			
Common-Mode Rejection	40dB,DC-60HZ			
Common Mode Voltage	Signal voltage+common mode voltage (within+12V)			
Impedance	≥10MΩ(At voltage input)	≥10MΩ(At voltage input)	≥10MΩ	--
Product Features	Rich variety and wider application range ,configured range through XML files for more flexible use ,bus isolation technology, reliable			



Data ,CAD,3D document please refer to: WWW.VELLEDQ.COM

Analog High-Precision Input



ISO 9001 (2015) quality management system

Ordering Data					
Partnumber	DPMK-4AI-16XA-V	DPMK-4AI-16XA-AV	DPMK-8AI-16XA-V	DPMK-4AI-16XA-A	DPMK-8AI-16XA-A
General Description	4-channel input Voltage type Stable performance Strong anti-interference performance	4-channel input Voltage/current type Stable performance Strong anti-interference performance	8-channel input Voltage type Stable performance Strong anti-interference performance	4-channel input Current type Stable performance Strong anti-interference performance	8-channel input Current type Stable performance Strong anti-interference performance
Technical Specifications					
Bus 5VDC Consumption Current(At Full load)	47mA	43mA	42mA	47mA	42mA
Input Type	Support				
Range					
Voltage (Unipolarity)	0~10V, 0~5V	--		--	
Voltage (Bipolar)	±10V, ±5V	±10V		--	
Current	--	0~20mA	--	0~20mA、4~20mA	0~20mA
Word					
Unipolar	0~32000, full scale				
Bipolar	-32000~32000, full scale			--	
Analog Input Characteristics					
Input Points	4	4	8	4	8
Input Type	Differential input				
Maximum Sustainable Voltage	30VDC				
Quarantine					
Between Channels And Buses	Have				
Display Indication	Power supply green LED display				
System Power Diagnosis And Warnings	Support				
Work Environment	Working environment temperature: -10~55 °C, relative humidity: 5%~90% (without condensation)				
Dimension (length × Wide × High)	12*100*68				
Product Features	Resolution of 16 bits,range configuration through XML file for more flexible use				



Analog Output



ISO 9001 (2015) quality management system

Ordering Data			
Partnumber	DPMK-2AO-12XA-V	DPMK-4AO-12XA-V	DPMK-4DO-12XA-A
General Description	2-channel output voltage, current type Stable performance and strong anti-interference performance		4-channel output voltage, current type Stable performance and strong anti-interference performance
Technical Specifications			
Input Points	2		4
Type Of Output	Voltage and current	Voltage	Current
Bus 5VDC Consumption Current (At Full load)	51mA	52mA	48mA
Power Supply Polarity Protection	Support		
Maximum Sustainable Voltage	30VDC		
Range			
Voltage (Unipolarity)	0~10V	0~10V	--
Voltage (Bipolar)	±10V	±10V	--
Current	0~20mA、4~20mA	--	0~20mA、4~20mA
Word			
Bipolar	-32000~32000,full scale		--
Current (0~20ma)	0~32000	--	0~32000
Current (4~20ma)	0~32000	--	0~32000
Resolution Ratio			
Voltage	12 digits	12 digits	--
Current	12 digits	--	12 digits
Analog-To-Digital Conversion Time	Less than300us		
Analog Voltage Output Step Response	0.2ms to 95%		
Analog Current Output Step Response	1.2ms to 95%		
Output Error	General±0.5%, maximum ±2%		
Product Features	Multiple types, convenient selection,overvoltage and overcurrent output protection function ,bus isolation technology, reliable		



Data ,CAD,3D document please refer to: WWW.VELLEDQ.COM

Analog High-Precision Output



ISO 9001 (2015) quality management system

Ordering Data				
Partnumber	DPMK-4AO-16XA-V	DPMK-4AO-16XA-A	DPMK-8AO-16XA-V	DPMK-8AO-16XA-A
General Description	4-channel output voltage, current type Stable performance and strong anti-interference performance		8-channel output voltage, current type Stable performance and strong anti-interference performance	
Technical Specifications				
Input Points	4		8	
Type Of Output	Voltage	Current	Voltage	Current
Bus 5VDC Consumption Current (At Full load)	40mA	< 50mA	< 70mA	
Power Supply Polarity Protection	Support			
Maximum Sustainable Voltage Range	30VDC			
Voltage (Unipolarity)	0~10V	--	0~10V	--
Voltage (Bipolar)	±10V	--	±10V	--
Current	--	0~20mA, 4~20mA	--	0~20mA, 4~20mA
Word				
Bipolar	-32000~32000,full scale	--	-32000~32000,full scale	--
Current (0~20ma)	--	0~32000	--	0~32000
Current (4~20ma)	--	0~32000	--	0~32000
Resolution Ratio				
Voltage	16 digits	--	16 digits	--
Current	--	16 digits	--	16 digits
Analog-To-Digital Conversion Time	Less than300us			
Analog Voltage Output Step Response	0.2ms to 95%			
Analog Current Output Step Response	1.2ms to 95%			
Output Error	General ±0.5%, maximum ±2%			
Product Features	Multiple types, convenient selection, overvoltage and overcurrent output protection function ,Bus isolation technology, reliable			



Analog High-Precision Output



ISO 9001 (2015) quality management system

Ordering Data			
Product Name	Power relay module		Sensor wiring power supply module
Partnumber	DPMK-ZD-DYZJ-2A	DPMK-DYZJ-10A	DPMK-DYZJ-MKGD-10A
Technical Specifications			
Input Power Voltage	24V DC(±20%)		
Output System Current	5V±5% (module bus usage)	24V±20% (expansion module power supply)	24VDC For sensor power supply
	24V±20% (expansion module power supply)		
Output System Current	< 2000mA	< 10A	< 10A
Authentication	CE	--	--
Physical Property			
Dimension	14*99*70mm		
Work Environment	Ambient temperature: -10~55°C, relative humidity: 5%~90%(no condensation)		
Storage Temperature	-25~+85°C		
Relative Humidity	95%, Non-condensing		
Protection Grade	IP20		
Occupying Slot	Occupy 1	Not occupied	Not occupied
System Diagnosis And Alarm	Support	Not supported	Not supported

Accessories

Technical Parameter			
Product Name	Terminal cover plate (matched with coupler) shipping, no additional order required)	Terminal resistor (with SM872-xxx-BUS coupler, supporting shipment, no additional order required)	
Form	DPMK-ZDGB	DPMK-BUS-POLE	
Physical property			
Dimension	99*28*3mm	53*15*15mm	
Work Environment	Ambient temperature: -10~55°C, relative humidity: 5%~90%(no condensation)		
Storage Temperature	-25~+85°C		
Relative Humidityrelative Humidityrelative Humidity	95%, Non-condensing		
Protection Grade	IP20		



Data ,CAD,3D document please refer to: WWW.VELLEDQ.COM

Temperature Measuring



ISO 9001 (2015) quality management system

Ordering Data					
Product Name	Thermal resistance measurement module			Thermocouple measurement module	
Power Specifications	2-channel RTD input Stable performance Strong anti-interference performance	4-channel RTD input Stable performance Strong anti-interference performance	8-channel RTD input Stable performance Strong anti-interference performance	4-channel TC input Stable performance Strong anti-interference performance	8-channel TC input Stable performance Strong anti-interference performance
Partnumber	DPMK-2AI-16XA-0M	DPMK-4AI-16XA-0M	DPMK-8AI-16XA-0M	DPMK-4AI-16XA-RTP	DPMK-8AI-16XA-RTPDC
Input Points	2	4	8	4	8
Input Type	Thermal resistance			thermocouple	
Bus 5VDC Consumption Current (At Full load)	45mA	60mA	<70mA	52mA	77mA
Power Supply Polarity Protection	support				
Maximum Sustainable Voltage	30VDC				
Input Range	thermal resistance type (choose any one): pt-100 Ω, 200 Ω, 500 Ω, 1000 Ω (α=3850PPM, 3920PPM, 3850.55PPM, 3916PPM, 3902PPM); Pt-10000 Ω (α=3850PPM); Cu-9.035 Ω (α=4720PPM); ni-10 Ω, 120 Ω, 1000 Ω (α=6720PPM, 6178PPM); r-150 Ω, 300 Ω, 600 Ω			thermocouple type (choose any one): S/T/R/E/N/K/J; voltage range: ± 80mV	
Measuring Principle	Sigma-Delta				
Word	-27648~+27648			--	
Resolution Ratio					
Temperature	0.1°C/0.1°F				
Voltage	--			15 bits+sign bits	
Resistance	15 bits+sign bits			--	
Measure Conversion Time	Less than 400ms				
Common-Mode Rejection	greater than 125dB, AC120V			85dB, DC-50HZ/60HZ/400HZ	
Wire length	Up to 100m to the site				
Wire Circuit Resistance	Maximum 100 Ω			Maximum 20 Ω	
Impedance	≥1MΩ			≥10MΩ	



Temperature Measuring

Basic Error	≤0.1%FS		
Consistence	0.05%FS		
Cold End Error	--	±1.5°C	
Quarantine			
Between Channels And Buses	Have		
Between Power Supply And Bus	Have		
Between Channel And Power Supply	Have		
Display Indication	Power supply green LED display		
System Power Diagnosis And Warnings	Support		
Work Environment	Ambient Temperature: -10~55°C, relative humidity: 5%~90%(No condensation)		
Dimension (length × Wide × High)	12*100*68	27*100*68	12*100*68 27*100*68
Product Features	Configure types through XML files, advanced filtering algorithms for more stable sampling, bus isolation technology reliable		





ISO 9001 (2015) quality management system

Ordering Data	
Product Name	Serial port
Technical Specifications	
Partnumber	DPMK-RS/MBR
General Description	2RS422/RS232/RS485 interface
Serial Port Support Protocol	Modbus-RTU master station, slave station, free port mode
Transfer Rate	1200bps、2400bps、4800bps、9.6Kbps、19.2Kbps、38.4Kbps、57.6Kbps、115.2Kbps
Check Bit	No parity, odd parity, even parity
Stop Bit	1、1.5、2
Data Bits	7、8
Bus 5VDC Consumption Current	<70mA
Distributed Clock	Not Supported
Quarantine	
Between Channels And Buses	have
Quarantine	Power supply green LED display
System Power Diagnosis And Warnings	support
Work Environment	working environment temperature: -10~55 °C, relative humidity: 5%~90% (without condensation)
Dimension (length × Wide × High)	27*100*68
Product Features	<ul style="list-style-type: none"> • 2 RS422/RS232/RS485 interfaces • Supports Modbus RTU and free port protocols • The fastest baud rate is 115.2Kbps, stable and reliable. The serial port parameters are configured through web pages, and the main station does not require programming, making it easy to use



High Speed Counter



ISO 9001 (2015) quality management system

Ordering Data		
Product Name	High speed counter module	Encoder SSI input
Technical Specifications		
Partnumber	DPMK-GSJS	DPMK-BMQSSI
High Speed Counting Channel	2-channel (A, B, C) single ended input with a maximum of 200KHZ, Differential maximum 1MHZ, rated voltage 5VDC, 24VDC	2-channel synchronous serial input (D+, D-, CI+, CI-) SSI clock frequency up to 2MHZ, rated voltage 5VDC
Bus 5VDC Consumption Current	<70mA	
High Speed Counter Input Characteristics	RS422 differential input	\
Signal Input (Data)	\	RS422 differential input
Other Input Characteristics	Single ended (rated 24V up to 200KHZ), differential (5V up to 1MHZ)	Serial input data length 32 bits, settable Single lap, multi lap, and status data length
Signal Output (Pulse)	\	RS422 differential output
Data Transmission Speed	\	Maximum 2MHZ
Distributed Clock	Support	Support
Encoding Method	Incremental	No conversion, binary code code or Gray code
Encoder Input Rated Voltage	\	5V
High Speed Counting Mode	1. Single end counting, counting A-phase pulses, with B as the direction, If B is high level, add the count, and if B is low level, subtract the count. 2. Differential counting, A, B phase pulse orthogonal, A leading B phase 90° Add the count, otherwise subtract the count.	\
Quarantine		
Between Channels And Buses	Have	
Display Indication		
System Power Diagnosis And Warnings	Support	
Work Environment	Working environment temperature: -20~60 °C, relative humidity: 5%~90% (without condensation)	
Dimension (length × Wide × High)	27*100*68	12*100*68
Product Features	2 sets of high-speed counters (A, B, C phases) Single ended or differential inputs Supported SSI clock frequencies up to 2MHz Supports multi turn and single turn SSI encoders Relevant parameters can be configured through XML files	



Data ,CAD,3D document please refer to: WWW.VELLEDQ.COM

Communicate Now

High Speed Pulse Output



ISO 9001 (2015) quality management system

Ordering Data	
Product Name	High speed pulse output module
Power Specifications	2-axis PTO output, stable performance and strong anti-interference performance
Technical Specifications	
Partnumber	DPMK-GSMQ
Module Type	PTO output module
Module Type	2-axis (pulse, direction)
PTO Output Type	NPN
PTO Output Frequency	Differential maximum 1MHZ, single end maximum 400KHZ (at 5V)
PTO Duty Cycle Adjustment Range	35%~60% random
Bus Response Time	greater than 2ms
Quarantine	
Between Channels And Buses	Have
Quarantine	Have
Power To Bus	Support
work Environment	Working environment temperature: -20~60 °C, relative humidity: 5%~90% (without condensation)
Dimension (length × Wide × High)	12*100*68
Product Features	2-axis PTO output, configure relevant parameters through XML file NPN type output up to 400KHZ Differential output up to 1MHZ



Power Relay Terminal



ISO 9001 (2015) quality management system

Technical Specifications			
Product Name	Power relay module		Sensor wiring power supply module
Partnumber	DPMK-DYZJ-2A	DPMK-DYZJ-10A	DPMK-TZGD-10A
Power Specifications			
Input Power Voltage	24V DC (±20%)		
Output system voltage	5V ± 5% (for module bus use)	24V±20% (Power supply for expansion module)	24VDC For sensor power supply
	For Extension Terminal Power Supply		
Output System Current	<2000mA	<10A	<10A
Output System Current	CE	--	--
Physical Property			
Dimension	14*99*70mm		
work Environment	Working environment temperature: -20~60 °C, relative humidity: 5%~90% (without condensation)		
Storage Temperature	-25~+85°C		
Relative Humidity	95%, Non-condensing		
Protection Grade	IP20		
Occupying Slot	Occupy 1	Not occupied	Not occupied
System Diagnosis And Alarm	Support	Not Supported	Not Supported

Accessories

Technical Specifications	
Product Name	Terminal cover plate (matched with coupler) Shipping, no additional order required) Terminal resistor (with SM872-xxx-BUS coupler Supporting shipment, no additional order required)
Physical Property	
Dimension	99*28*3mm 53*15*15mm
Work Environment	Working environment temperature: -20~60 °C, relative humidity: 5%~90% (without condensation)
Storage Temperature	-25~+85°C
Relative Humidity	95%, Non-condensing
Protection Grade	IP20





Photovoltaic and Energy Storage Industry



Dedicated Plug-In Connectors For Energy Storage Battery Clusters



Plug								
Wiring Capacity	10mm ²		16-25mm ²		35mm ²		50-70mm ²	
Rated Current	max. 70A		max. 120A		max. 160A		max. 250A	
Rated Voltage	1000V		1500V					
Protection Grade	IP67		IP65					
Colour	Orange	Black	Orange	Black	Orange	Black	Orange	Black
Form	CN-C10-OG	CN-C10-BK	CN-C16-25-OG	CN-C16-25-BK	CN-C35-OG	CN-C35-BK	CN-C50-70-OG	CN-C50-70-BK
 								

Socket								
Copper Bar	CN-FL10-TP-OG	CN-FL10-TP-BK	CN-FL16-25-TP-OG	CN-FL16-25-TP-BK	CN-FL35-TP-OG	CN-FL35-TP-BK	CN-FL50-70-TP-OG	CN-FL50-70-TP-BK
Copper Bar Thread	CN-FL10-LW-OG	CN-FL10-LW-BK	CN-FL16-25-LW-OG	CN-FL16-25-LW-BK	CN-FL35-LW-OG	CN-FL35-LW-BK	CN-FL50-70-LW-OG	CN-FL50-70-LW-BK
Threaded Column	CN-FL10-LZ-OG	CN-FL10-LZ-BK	CN-FL16-25-LZ-OG	CN-FL16-25-LZ-BK	CN-FL35-LZ-OG	CN-FL35-LZ-BK	CN-FL50-70-LZ-OG	CN-FL50-70-LZ-BK
Crimping	CN-FL10-LY-OG	CN-FL10-LY-BK	CN-FL16-25-LY-OG	CN-FL16-25-LY-BK	CN-FL35-LY-OG	CN-FL35-LY-BK	CN-FL50-70-LY-OG	CN-FL50-70-LY-BK



Describe	
Plug	
Wiring Capacity	95-120 mm ²
Rated Current	max. 350A
Rated Voltage	1500V
Protection Grade	IP67
Colour	Orange Black
Form	CN-C95-120-OG CN-C95-120-BK



Socket	
Copper Bar	CN-FL95-120-TP-OG CN-FL95-120-TP-BK
Copper Bar Thread	CN-FL95-120-LW-OG CN-FL95-120-LW-BK
Threaded Column	CN-FL95-120-LZ-OG CN-FL95-120-LZ-BK
Crimping	CN-FL95-120-LY-OG CN-FL95-120-LY-BK



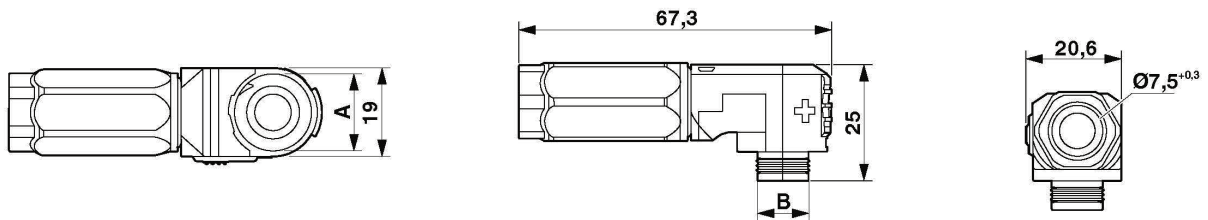
Data ,CAD,3D document please refer to: WWW.VELLEDQ.COM



Dedicated Plug-In Connectors For Energy Storage Battery Clusters



Dimension



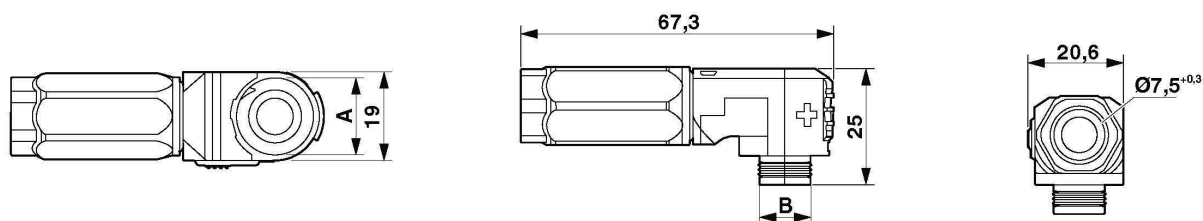
Form	CN-C10-OG		
Product Type	Connector For Energy Storage Module		
Pollution Degree	2	Connector Pull-Out Force	≥ 10 N
Rated Voltage (III/2)	1000 V	No Halogen	Yes
Rated Voltage ATD	1000V	Insertion Force	≤ 75 N
Rated Current	70 A	Protection Level	IP67
Contact Resistance	≤ 5 mΩ	Environmental Temperature (Operating)	-40 °C ... 115 °C
Rated Voltage UN	1000 V	Environmental Temperature (Storage/Transportation)	-40 °C ... 70 °C
Colour	Orange	Altitude	4000 m
Material	Nylon (shell), Copper Cable Silver (Contact), Silicon (Sealed)		
Flame Retardant Grade, In Accordance With UL 94V0			



Dedicated Plug-In Connectors For Energy Storage Battery Clusters



Dimension



Form	CN-C10-BK		
Product Type	Connector For Energy Storage Module		
Pollution Degree	2	Connector Pull-Out Force	≥ 10 N
Rated Voltage(III/2)	1000V	No Halogen	Yes
Rated VoltageATD	1000V	Insertion Force	≤ 75 N
Rated Current	70 A	Protection Level	IP67
Contact Resistance	≤ 5 mΩ	Environmental Temperature (Operating)	-40 °C ... 115 °C
Rated VoltageUN	1000V	Environmental Temperature (Storage/Transportation)	-40 °C ... 70 °C
Colour	Black	Altitude	4000 m
Material	Nylon (Shell), Copper Cable Silver (Contact), Silicon (Sealed)		
Flame Retardant Grade, In Accordance With UL 94	V0		



Data ,CAD,3D document please refer to: WWW.VELLEDQ.COM

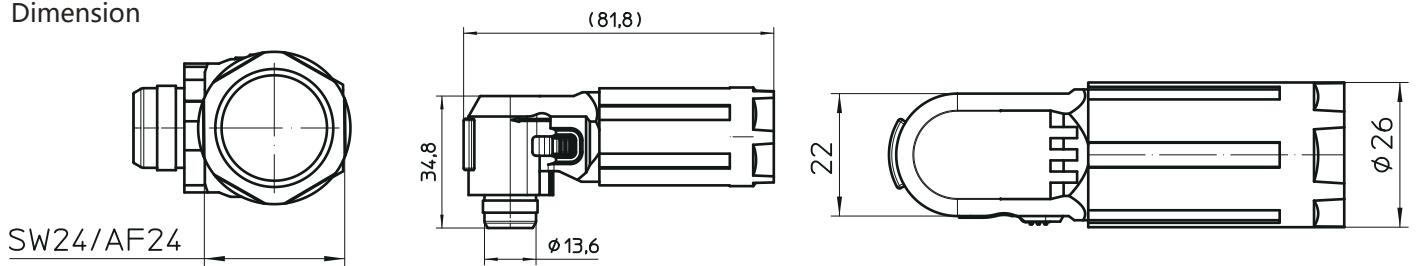


ISO 9001 (2015) quality management system

Dedicated Plug-In Connectors For Energy Storage Battery Clusters



Dimension



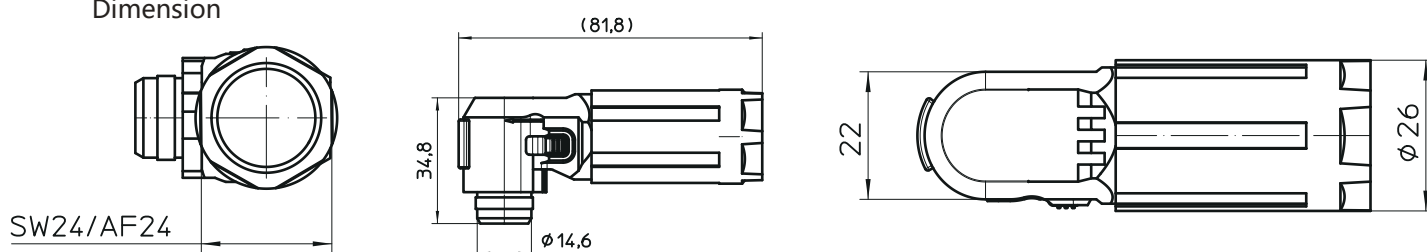
Form	CN-C16-25-OG		
Product Type	Connector For Energy Storage Module		
Pollution Degree	2	Connector Pull-Out Force	≥ 10 N
Rated Voltage(III/2)	1500 V	No Halogen	Yes
Rated Voltage ATD	1500 V	Withdrawal Force	≥ 10 N
Rated Current	120 A	Protection Level	IP65
Contact Resistance	≤ 5 mΩ	Environmental Temperature (Operating)	-40 °C ... 125 °C
Rated Voltage UN	1500 V	Environmental Temperature (Storage/Transportation)	-40 °C ... 80 °C
Colour	Orange	Altitude	4000 m
Material	Nylon (Shell), Copper Cable Silver (Contact), Silicon (Sealed) Flame Retardant Grade, In Accordance With UL 94		V0



Dedicated Plug-In Connectors For Energy Storage Battery Clusters



Dimension



Form	CN-C16-25-BK		
Product Type	Connector For Energy Storage Module		
Pollution Degree	2	Connector Pull-Out Force	≥ 10 N
Rated Voltage(III/2)	1500 V	No Halogen	Yes
Rated VoltageATD	1500 V	Withdrawal Force	≥ 10 N
Rated Current	120 A	Protection Level	IP65
Contact Resistance	≤ 5 mΩ	Environmental Temperature (Operating)	-40 °C ... 125 °C
Rated Voltage UN	1500 V	Environmental Temperature (Storage/Transportation)	-40 °C ... 80 °C
Colour	Black	Altitude	4000 m
Material	Nylon (shell), Copper Cable Silver (Contact), Silicon (Sealed)	Flame Retardant Grade, In Accordance With UL 94	V0



Data ,CAD,3D document please refer to: WWW.VELLEDQ.COM

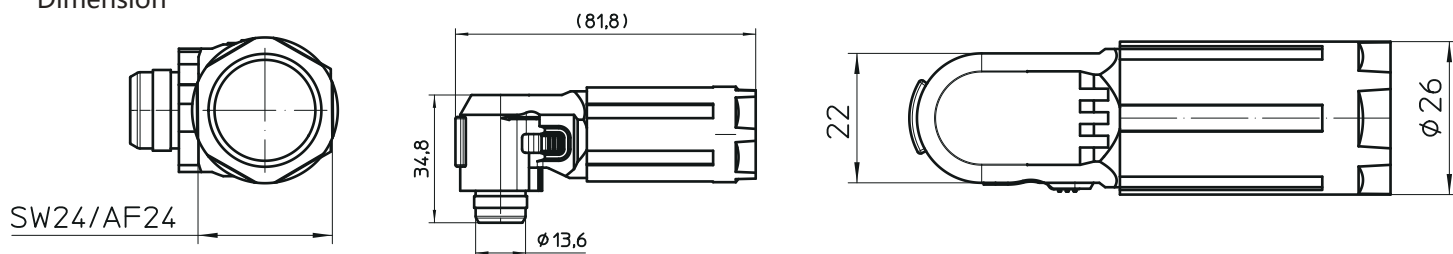


ISO 9001 (2015) quality management system

Dedicated Plug-In Connectors For Energy Storage Battery Clusters



Dimension



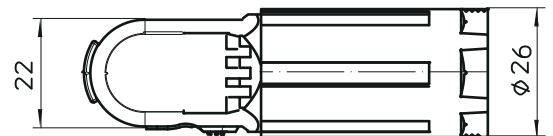
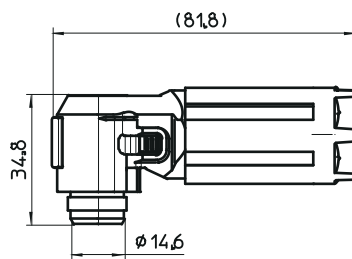
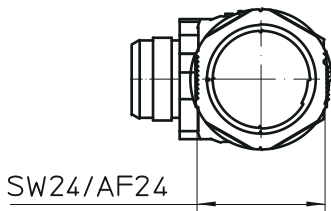
Form	CN-C35-OG		
Product type	Connector For Energy Storage Module		
Pollution degree	2	Connector Pull-Out force	≥ 10 N
Rated voltage(III/2)	1500V	No Halogen	Yes
Rated voltageATD	1500V	Insertion Force	≤ 75 N
Rated current	160A	Protection Level	IP65
Contact resistance	≤ 0.5 mΩ	Environmental Temperature (Operating)	-40 °C ... 125 °C
Rated voltageUN	1500V	Environmental Temperature (Storage/Transportation)	-40 °C ... 80 °C
Colour	Orange	Altitude	4000 m
Material	Nylon (Shell), Copper Cable Silver (Contact), Silicon (Sealed)	Flame Retardant Grade, In Accordance With UL 94	V0



Dedicated Plug-In Connectors For Energy Storage Battery Clusters



Dimension



Form	CN-C35-BK		
Product Type	Connector For Energy Storage Module		
Pollution Degree	2	Connector Pull-Out Force	≥ 10 N
Rated Voltage(III/2)	1500V	No Halogen	YTes
Rated VoltageATD	1500V	Insertion Force	≤ 75 N
Rated Current	160A	Protection Level	IP65
Contact Resistance	≤ 0.5 mΩ	Environmental Temperature (Operating)	-40 °C ... 125 °C
Rated VoltageUN	1500V	Environmental Temperature (Storage/Transportation)	-40 °C ... 80 °C
Colour	Black	Altitude	4000 m
Material	Nylon (Shell), Copper Cable Silver (Contact), Silicon (Sealed)	Flame Retardant Grade, In Accordance With UL 94	V0



Data ,CAD,3D document please refer to: WWW.VELLEDQ.COM

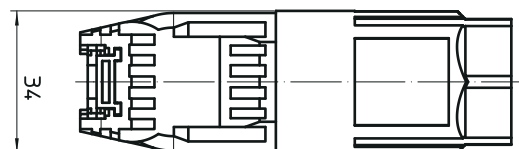
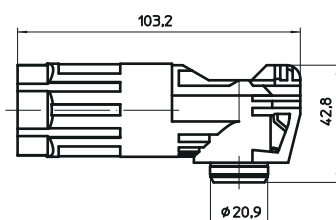
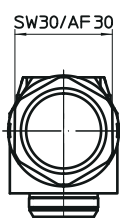


ISO 9001 (2015) quality management system

Dedicated Plug-In Connectors For Energy Storage Battery Clusters



Dimension



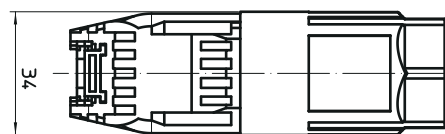
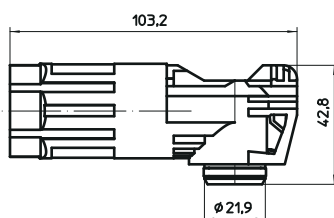
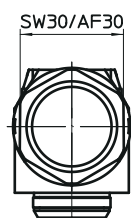
Form	CN-C50-70-OG		
Product type	Connector For Energy Storage Module		
Pollution degree	2	Connector Pull-Out Force	≥ 10 N
Rated Voltage(III/2)	1500 V	No Halogen	Yes
Rated VoltageATD	1500 V	Insertion Force	≤ 75 N
Rated Current	250 A	Protection Level	IP65
Contact Resistance	≤ 0.5 m Ω	Environmental Temperature (Operating)	-40 °C ... 125 °C
Rated Voltage UN	1500 V	Environmental Temperature (Storage/Transportation)	-40 °C ... 80 °C
Colour	Orange	Altitude	4000 m
Material	Silicon PA Copper/Copper Alloy	Flame Retardant grade, In Accordance With UL 94	V0



Dedicated Plug-In Connectors For Energy Storage Battery Clusters



Dimension



Form	CN-C50-70-BK		
Product Type	Connector For Energy Storage Module		
Pollution Degree	2	Connector Pull-Out Force	≥ 10 N
Rated Voltage (III/2)	1500 V	No Halogen	Yes
Rated Voltage ATD	1500 V	Insertion Force	≤ 75 N
Rated Current	250 A	Protection Level	IP65
Contact Resistance	≤ 0.5 m Ω	Environmental Temperature (Operating)	-40 °C ... 125 °C
Rated Voltage UN	1500 V	Environmental Temperature (Storage/Transportation)	-40 °C ... 80 °C
Colour	Black	Altitude	4000 m
Material	Silicon PA Copper/Copper Alloy	Flame Retardant Grade, In Accordance With UL 94	V0



Data ,CAD,3D document please refer to: WWW.VELLEDQ.COM

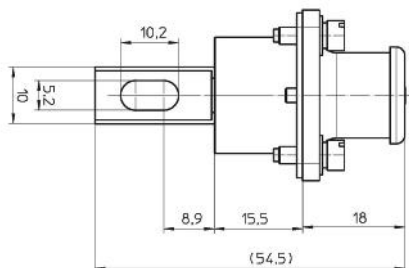
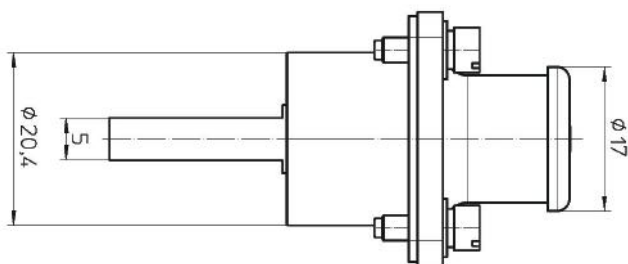
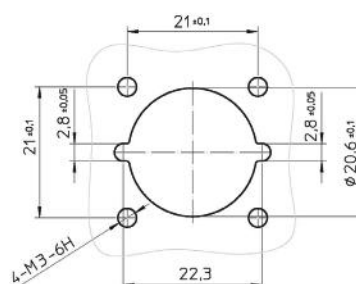
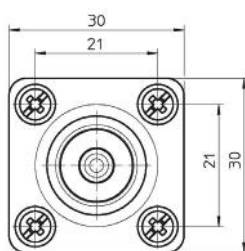


ISO 9001 (2015) quality management system

Dedicated Plug-In Connectors For Energy Storage Battery Clusters



Dimension



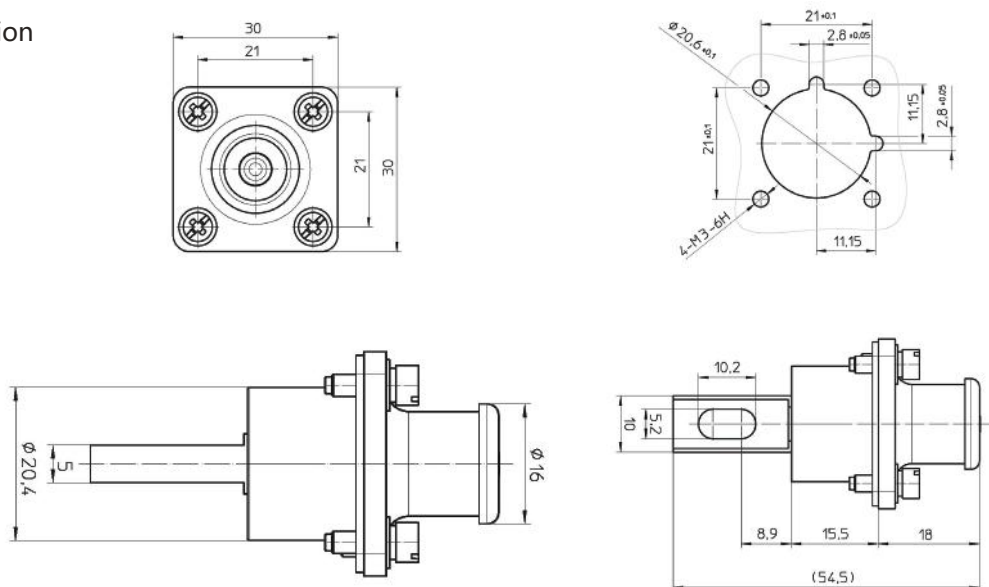
Form	CN-FL10-TP-BK		
Product Type	Connector For Energy Storage Module		
Pollution Degree	2	Connector Pull-Out Force	≥ 10 N
Rated Voltage(III/2)	1000 V	No Halogen	Yes
Rated VoltageATD	1000 V	Insertion Force	≤ 75 N
Rated Current	70 A	Protection Level	IP67
Contact Resistance	≤ 5 mΩ	Environmental Temperature (Operating)	-40 °C ... 115 °C
Rated VoltageUN	1000 V	Environmental Temperature (Storage/Transportation)	-40 °C ... 70 °C
Colour	Black	Flame retardant Grade, In Accordance With UL 94	V0
Material	Nylon (shell), Copper Cable Silver (Contact), Silicon (Sealed)		



Dedicated Plug-In Connectors For Energy Storage Battery Clusters



Dimension



Form	CN-FL10-TP-OG		
Product Type	Connector For Energy Storage Module		
Pollution Degree	2	Connector Pull-Out Force	≥ 10 N
Rated Voltage(III/2)	1000 V	No Halogen	Yes
Rated VoltageATD	1000 V	Insertion Force	≤ 75 N
Rated Current	70 A	Protection Level	IP67
Contact Resistance	≤ 5 m Ω	Environmental Temperature (Operating)	-40 °C ... 115 °C
Rated VoltageUN	1000 V	Environmental Temperature (Storage/Transportation)	-40 °C ... 70 °C
Colour	Orange	Flame Retardant Grade, In Accordance With UL 94	V0
Material	Nylon (Shell), Copper Cable Silver (Contact), Silicon (Sealed)		

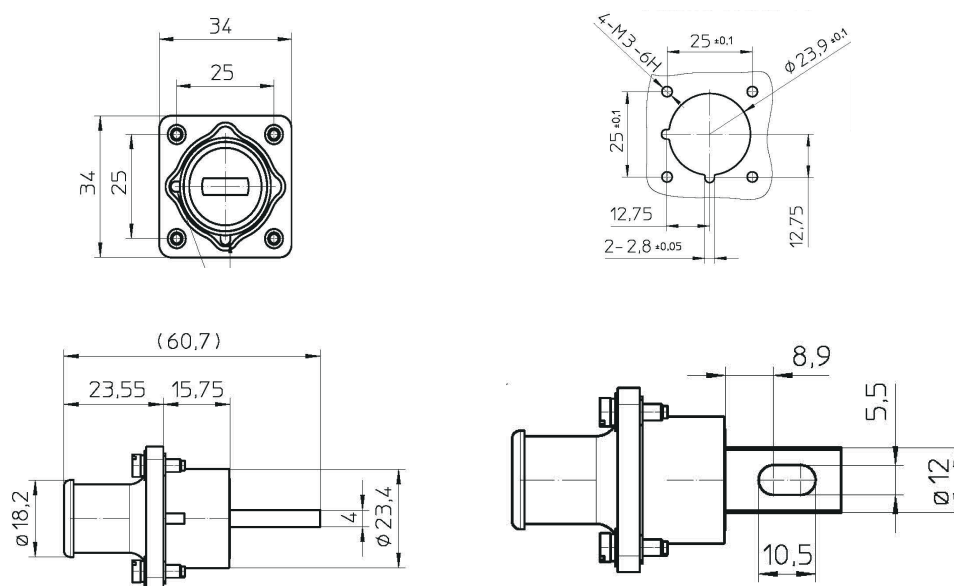


Data ,CAD,3D document please refer to: WWW.VELLEDQ.COM

Dedicated Plug-In Connectors For Energy Storage Battery Clusters



Dimension



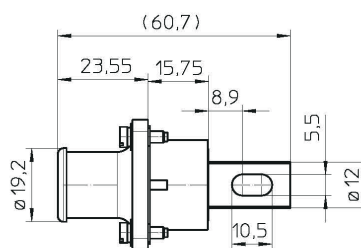
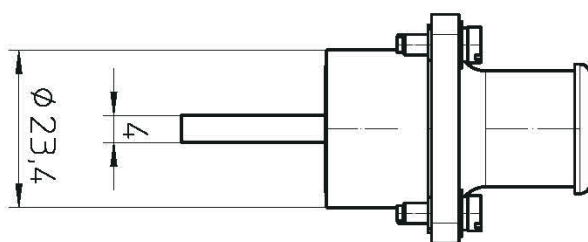
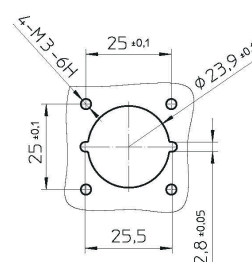
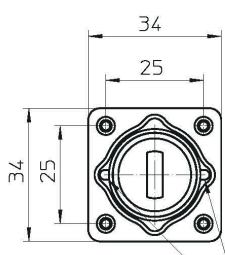
Form	CN-FL16-25-TP-BK		
Product Type	Connector For Energy Storage Module		
Pollution Degree	2	Connector Pull-Out Force	≥ 10 N
Rated Voltage (III/2)	1500 V	No Halogen	Yes
Rated Voltage ATD	1500 V	Insertion Force	≤ 75 N
Rated Current	120 A	Protection Level	IP65
Contact Resistance	≤ 5 m Ω	Environmental Temperature (Operating)	-40 °C ... 115 °C
Rated Voltage UN	1500 V	Environmental Temperature (Storage/Transportation)	-40 °C ... 70 °C
Colour	Black	Flame Retardant Grade, In Accordance With UL 94	V0
Material	Nylon (Shell), Copper Cable Silver (Contact), Silicon (Sealed)		



Dedicated Plug-In Connectors For Energy Storage Battery Clusters



dimension



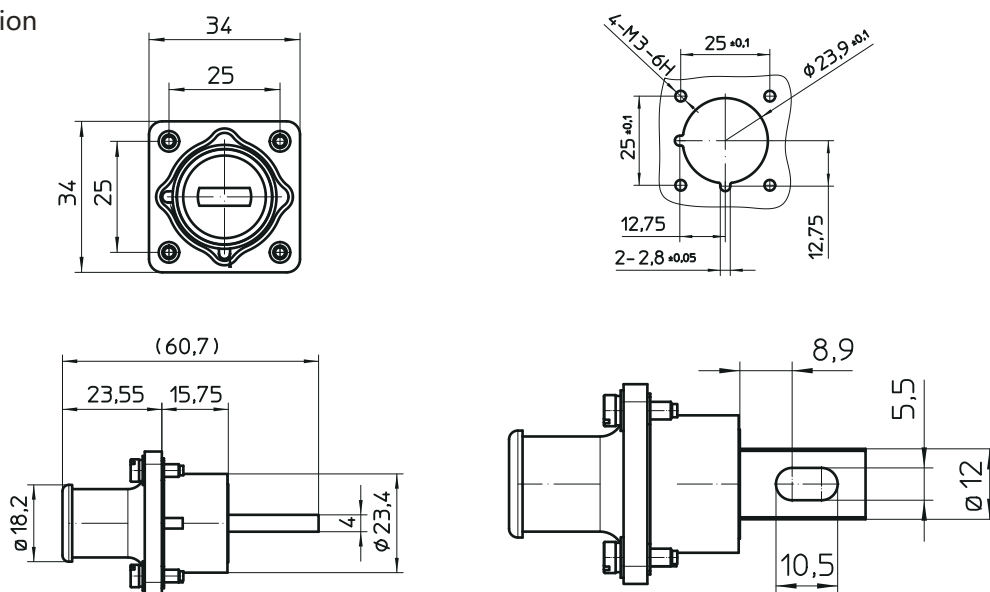
Form	CN-FL16-25-TP-OG		
Product Type	Connector For Energy Storage Module		
Pollution Degree	2	Connector Pull-Out Force	≥ 10 N
Rated Voltage (III/2)	1500 V	No Halogen	Yes
Rated VoltageATD	1500 V	Insertion Force	≤ 75 N
Rated Current	120 A	Protection Level	IP65
Contact Resistance	≤ 5 mΩ	Environmental Temperature (Operating)	-40 °C ... 115 °C
Rated VoltageUN	1500 V	Environmental Temperature (Storage/Transportation)	-40 °C ... 70 °C
Colour	Orange	Flame Retardant Grade, In Accordance With UL 94	V0
Material	Nylon (Shell), Copper Cable Silver (Contact), Silicon (Sealed)		



Data ,CAD,3D document please refer to: WWW.VELLEDQ.COM



Dimension

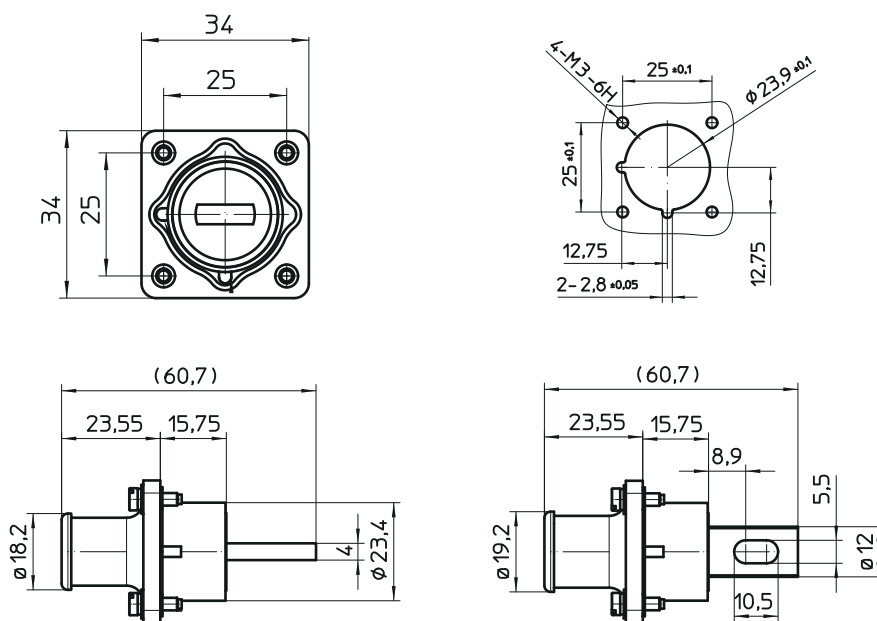


Form	CN-FL35- TP-BK		
Product Type	Connector For Energy Storage Module		
Pollution Degree	2	Connector Pull-Out Force	≥ 10 N
Rated Voltage(III/2)	1500V	No Halogen	Yes
Rated VoltageATD	1500V	Insertion Force	≤ 75 N
Rated Current	160 A	Protection Level	IP65
Contact Resistance	≤ 5 m Ω	Environmental Temperature (Operating)	-40 °C ... 115 °C
Rated VoltageUN	1500 V	Environmental Temperature (Storage/Transportation)	-40 °C ... 70 °C
Colour	Black	Flame Retardant Grade, In Accordance With UL 94	V0
Material	Nylon (Shell), Copper Cable Silver (Contact), Silicon (Sealed)		





Dimension

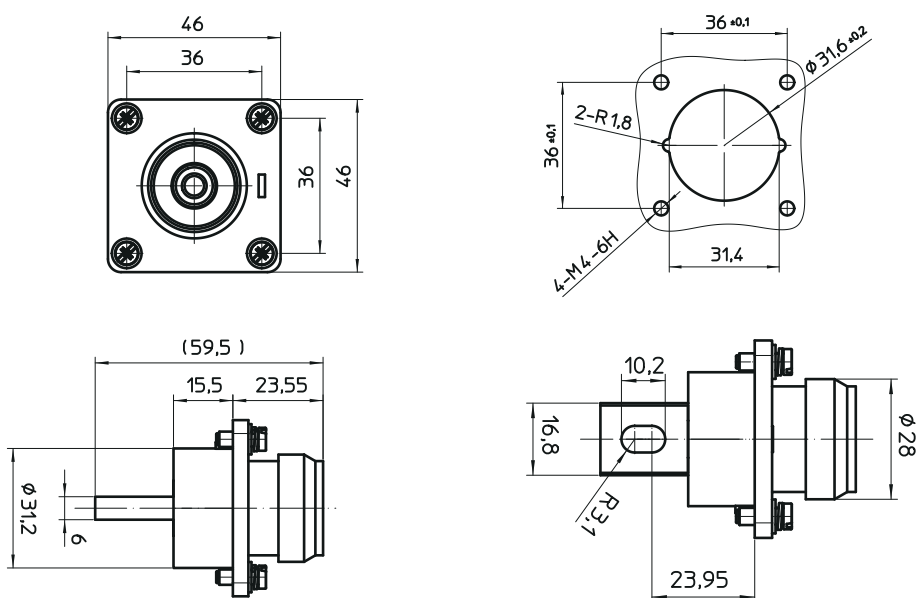


Form	CN-FL35-TP-OG		
Product Type	Connector for energy storage module		
Pollution Degree	2	Connector Pull-Out Force	≥ 10 N
Rated Voltage(III/2)	1500V	No Halogen	Yes
Rated VoltageATD	1500V	Insertion Force	≤ 75 N
Rated Current	160 A	Protection Level	IP65
Contact Resistance	≤ 5 m Ω	Environmental Temperature (Operating)	-40 °C ... 115 °C
Rated Voltage UN	1500 V	Environmental Temperature (Storage/Transportation)	-40 °C ... 70 °C
Colour	Orange	Flame Retardant Grade, In Accordance With UL 94	V0
Material	Nylon (Shell), Copper Cable Silver (Contact), Silicon (Sealed)		





Dimension

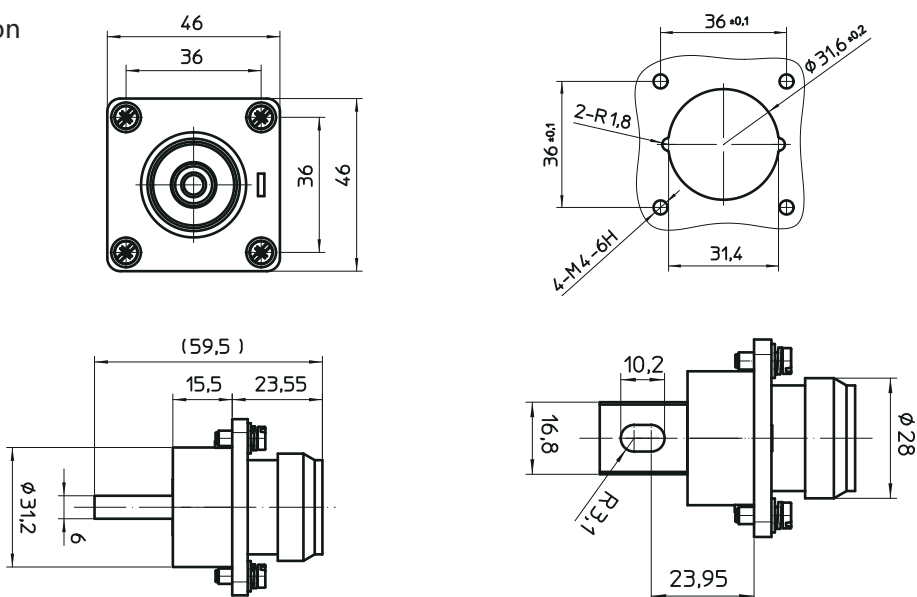


Form	CN-FL50-70TP-BK		
Product Type	Connector For Energy		
Pollution Degree	2	Connector Pull-Out Force Module	≥ 10 N
Rated Voltage(III/2)	1500 V	No Halogen	Yes
Rated Voltage ATD	1500 V	Insertion Force	≤ 75 N
Rated Current	250 A	Protection Level	IP65
Contact Resistance	≤ 5 m Ω	Environmental Temperature (Operating)	-40 °C ... 115 °C
Rated Voltage UN	1500 V	Environmental Temperature (Storage/Transportation)	-40 °C ... 70 °C
Colour	Black	Flame Retardant Grade, In Accordance With UL 94	V0
Material	Nylon (Shell), Copper Cable Silver (Contact), Silicon (Sealed)		





Dimension

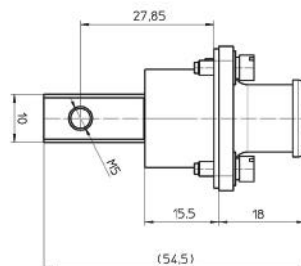
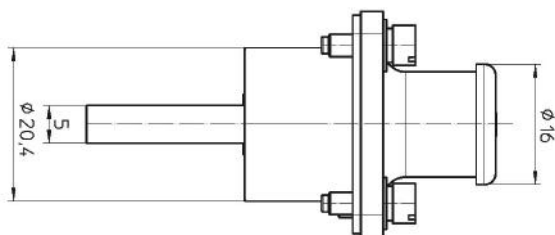
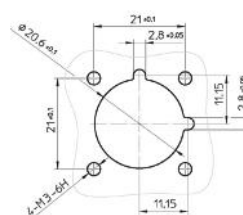
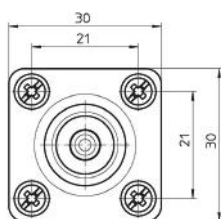


Form	CN-FL50-70TP-OG		
Product Type	Connector For Energy Storage Module		
Pollution Degree	2	Connector Pull-Out Force	≥ 10 N
Rated Voltage (III/2)	1500 V	No Halogen	Yes
Rated Voltage ATD	1500 V	Insertion Force	≤ 75 N
Rated Current	250 A	Protection Level	IP65
Contact Resistance	≤ 5 m Ω	Environmental Temperature (Operating)	-40 °C ... 115 °C
Rated Voltage UN	1500 V	Environmental Temperature (Storage/Transportation)	-40 °C ... 70 °C
Colour	Orange	Flame Retardant Grade, In Accordance With UL 94	V0
Material	Nylon (Shell), Copper Cable Silver (Contact), Silicon (Sealed)		





Dimension

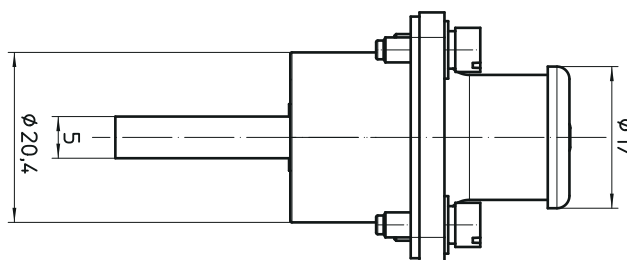
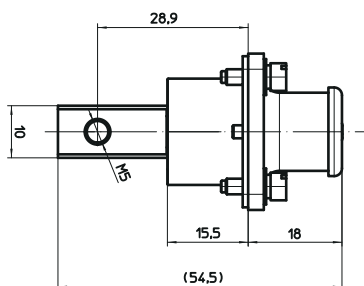
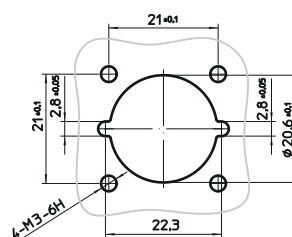
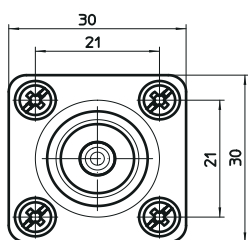


Form	CN-FL10-LW-OG		
Product Type	Connector For Energy Storage Module		
Pollution Degree	2	Connector Pull-Out Force	≥ 10 N
Rated Voltage(III/2)	1000 V	No Halogen	Yes
Rated VoltageATD	1000 V	Insertion Force	≤ 75 N
Rated Current	70 A	Protection level	IP67
Contact Resistance	≤ 5 mΩ	Environmental Temperature (Operating)	-40 °C ... 115 °C
Rated VoltageUN	1000 V	Environmental Temperature (Storage/Transportation)	-40 °C ... 70 °C
Colour	Orange	Flame Retardant Grade, In Accordance With UL 94	V0
Material	Nylon (Shell), Copper Cable Silver (Contact), Silicon (Sealed)		





Dimension

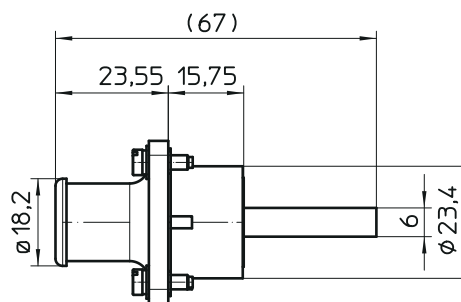
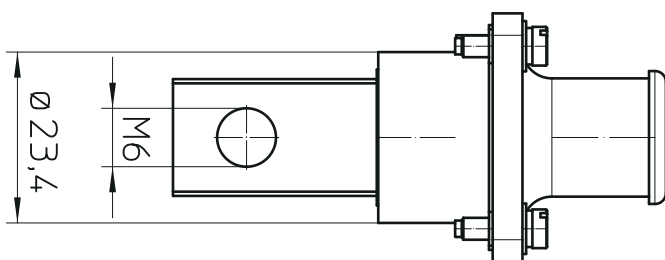
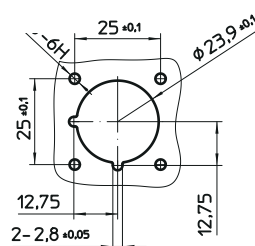
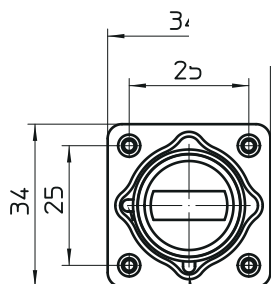


Form	CN-FL10-LW-BK		
Product Type	Connector For Energy Storage Module		
Pollution Degree	2	Connector Pull-Out Force	≥ 10 N
Rated Voltage(III/2)	1000 V	No Halogen	Yes
Rated VoltageATD	1000 V	Insertion Force	≤ 75 N
Rated Current	70 A	Protection level	IP67
Contact Resistance	≤ 5 mΩ	Environmental Temperature (Pperating)	-40 °C ... 115 °C
Rated VoltageUN	1000 V	Environmental Temperature (Storage/Transportation)	-40 °C ... 70 °C
Colour	Orange	Flame Retardant Grade, In Accordance With UL 94	V0
Material	Nylon (Shell), Copper Cable Silver (Contact), Silicon (Sealed)		





Dimension

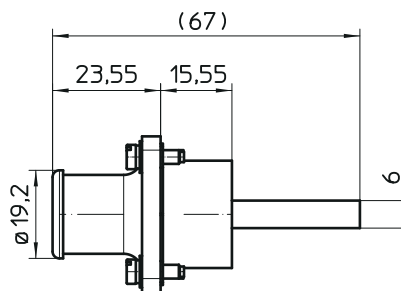
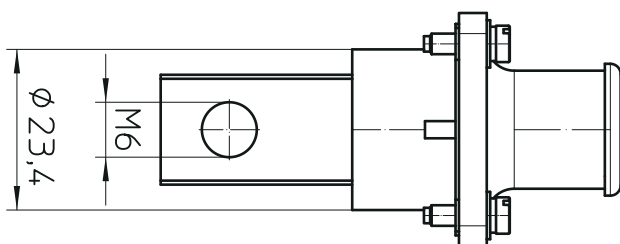
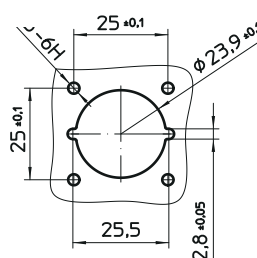
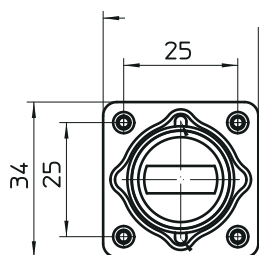


Form	CN-FL16-25-LW-OG		
Product Type	Connector For Energy Storage Module		
Pollution Degree	2	Connector Pull-Out Force	≥ 10 N
Rated Voltage(III/2)	1500 V	No Halogen	Yes
Rated VoltageATD	1500 V	Insertion Force	≤ 75 N
Rated Current	120 A	Protection level	IP65
Contact Resistance	≤ 5 mΩ	environmental Temperature (Operating)	-40 °C ... 115 °C
Rated VoltageUN	1500 V	Environmental Temperature (Storage/Transportation)	-40 °C ... 70 °C
Colour	Orange	Flame Retardant Grade, In Accordance With UL 94	V0
Material	Nylon (Shell), Copper Cable Silver (Contact), Silicon (Sealed)		





Dimension

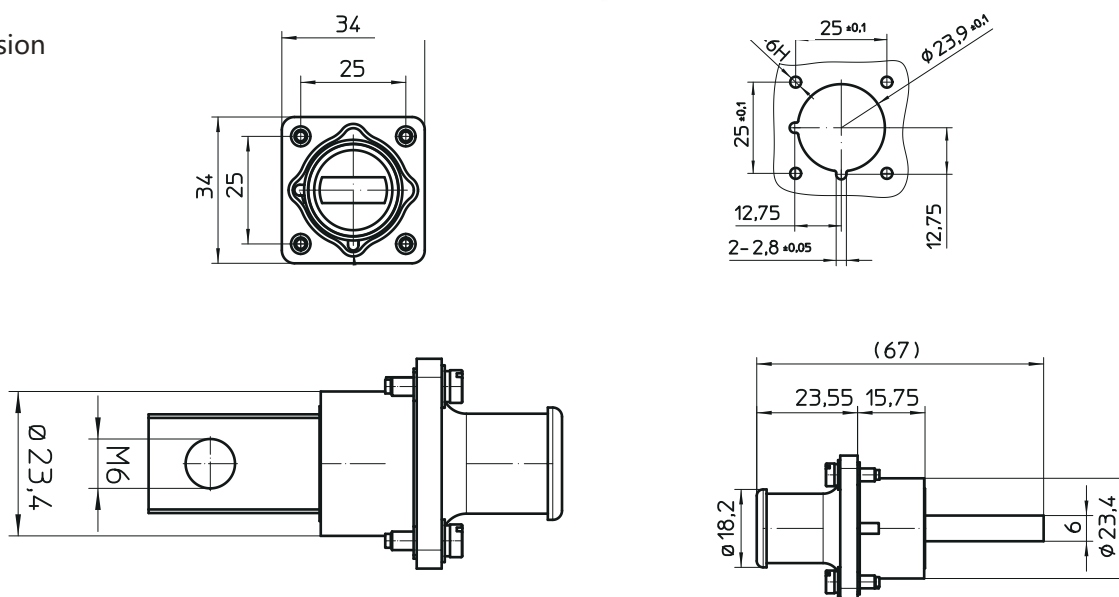


Form	CN-FL16-25-LW-BK		
Product Type	Connector For Energy Storage Module		
Pollution Degree	2	Connector Pull-Out Force	≥ 10 N
Rated Voltage(III/2)	1500 V	No Halogen	Yes
Rated VoltageATD	1500 V	Insertion Force	≤ 75 N
Rated Current	120 A	Protection level	IP65
Contact Resistance	≤ 5 mΩ	Environmental Temperature (Operating)	-40 °C ... 115 °C
Rated VoltageUN	1500 V	Environmental Temperature (Storage/Transportation)	-40 °C ... 70 °C
Colour	Black	Flame Retardant Grade, In Accordance With UL 94	V0
Material	Nylon (Shell), Copper Cable Silver (Contact), Silicon (Sealed)		





Dimension

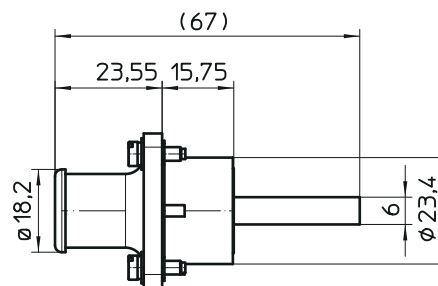
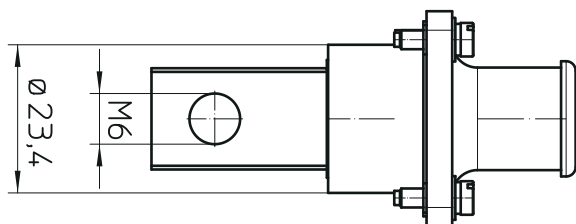
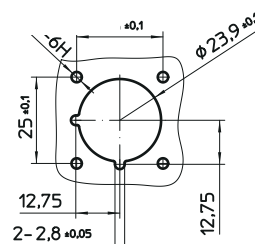
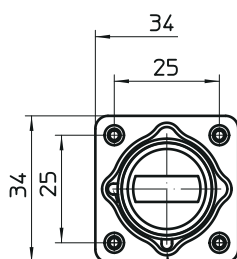


Form	CN-FL35-LW-OG		
Product Type	Connector For Energy Storage Module		
Pollution Degree	2	Connector Pull-Out Force	≥ 10 N
Rated Voltage(III/2)	1500 V	No Halogen	Yes
Rated VoltageATD	1500 V	Insertion Force	≤ 75 N
Rated Current	160 A	Protection level	IP65
Contact Resistance	≤ 5 m Ω	Environmental Temperature (Operating)	-40 °C ... 115 °C
Rated VoltageUN	1500 V	Environmental Temperature (Storage/Transportation)	-40 °C ... 70 °C
Colour	Orange	Flame Retardant Grade, In Accordance With UL 94	V0
Material	Nylon (Shell), Copper Cable Silver (Contact), Silicon (Sealed)		





Dimension



Form	CN-FL35-LW-BK		
Product Type	Connector For Energy Storage Module		
Pollution Degree	2	Connector Pull-Out Force	≥ 10 N
Rated Voltage (III/2)	1500 V	No Halogen	Yes
Rated VoltageATD	1500 V	Insertion Force	≤ 75 N
Rated Current	160 A	Protection level	IP65
Contact Resistance	≤ 5 mΩ	Environmental Temperature (Operating)	-40 °C ... 115 °C
Rated VoltageUN	1500 V	Environmental Temperature (Storage/Transportation)	-40 °C ... 70 °C
Colour	Black	Flame Retardant Grade, In Accordance With UL 94	V0
Material	Nylon (Shell), Copper Cable Silver (Contact), Silicon (Sealed)		



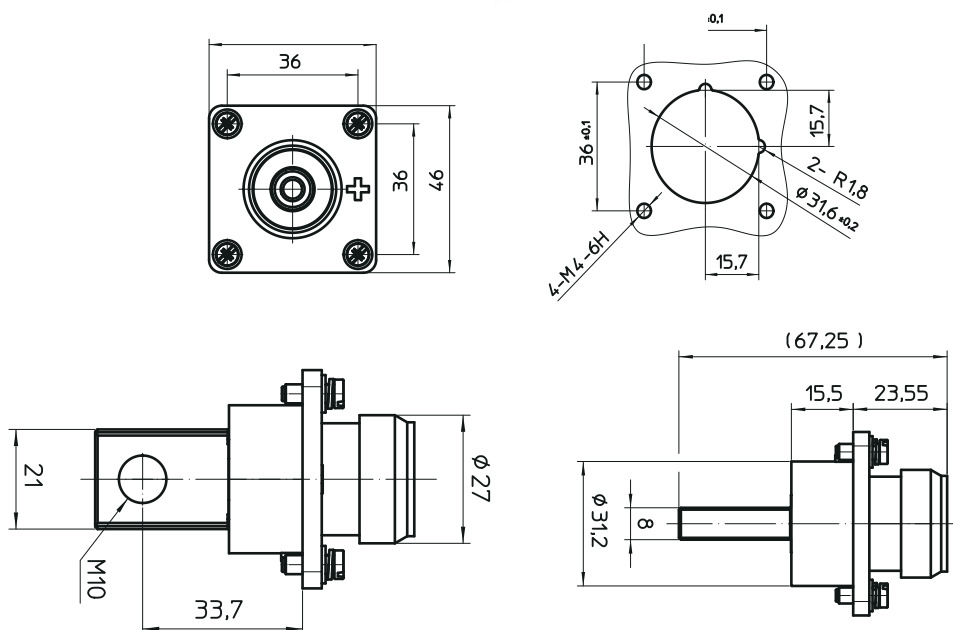
Data ,CAD,3D document please refer to: WWW.VELLEDQ.COM



ISO 9001 (2015) quality management system



Dimension

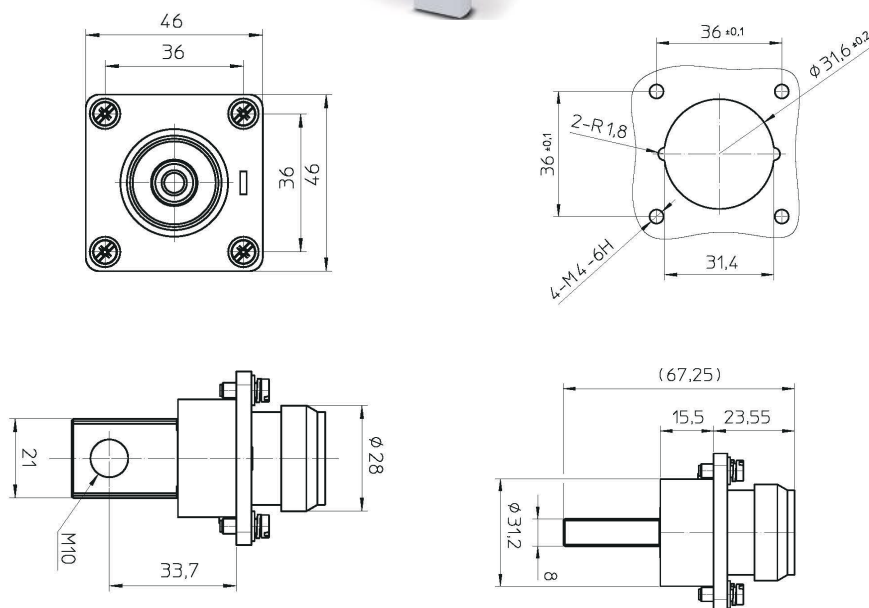


Form	CN-FL50-70-LW-OG		
Product Type	Connector For Energy Storage Module		
Pollution Degree	2	Connector Pull-Out Force	≥ 10 N
Rated Voltage(III/2)	1500 V	No Halogen	Yes
Rated VoltageATD	1500 V	Insertion Force	≤ 75 N
Rated Current	250 A	Protection level	IP65
Contact Resistance	≤ 5 mΩ	Environmental Temperature (Operating)	-40 °C ... 115 °C
Rated VoltageUN	1500 V	Environmental Temperature (Storage/Transportation)	-40 °C ... 70 °C
Colour	Orange	Flame Retardant Grade, In Accordance With UL 94	V0
Material	Nylon (Shell), Copper Cable Silver (Contact), Silicon (Sealed)		





Dimension



Form	CN-FL50-70-LW-BK		
Product Type	Connector For Energy Storage Module		
Pollution Degree	2	Connector Pull-Out Force	≥ 10 N
Rated Voltage(III/2)	1500 V	No Halogen	Yes
Rated VoltageATD	1500 V	Insertion Force	≤ 75 N
Rated Current	250 A	Protection level	IP65
Contact Resistance	≤ 5 mΩ	Environmental Temperature (Operating)	-40 °C ... 115 °C
Rated VoltageUN	1500 V	Environmental Temperature (Storage/Transportation)	-40 °C ... 70 °C
Colour	Black	Flame Retardant Grade, In Accordance With UL 94	V0
Material	Nylon (Shell), Copper Cable Silver (Contact), Silicon (Sealed)		





Bus Module

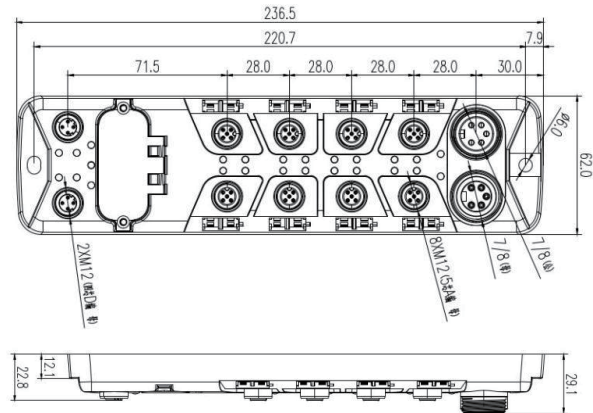
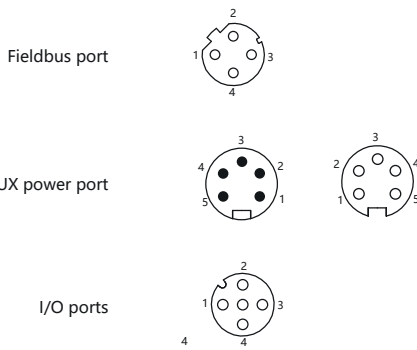


Bus module



ISO 9001 (2015) quality management system

Wiring Diagram



Interface	IO L - P N - 8 M 1 2 A - F L M
Bus Protocol	Profi Net
IOL Port	8*IO-Link or 8DI/DO
Communication Version	IO-Link 1.1.3
Shell Material	AL
Weight	690 g
Dimension (LxWxH)	237 x 62 x 22.8 (mm)
Install	M5 Screw
Power Interface	7/8" Interface
Protection Grade	IP67(When All Protective Nuts Are Installed)
Supply Voltage	18 ... 30,2 V DC, Corresponding To EN 61131-2
Ripple Wave	< 1 %
No-Load Current	≤ 150 mA
US Total Ccurrent	9A
UA Total Current	9A
Ambient Temperature	-5 °C ... +70 °C
Storage Temperature	-20 °C ... +70 °C



Data ,CAD,3D document please refer to: WWW.VELLEDQ.COM

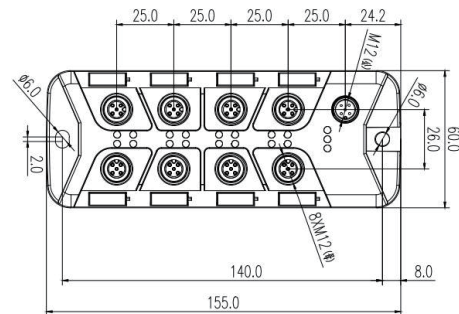


ISO 9001 (2015) quality management system

IO-Link port



IO port



Partnumber	IO L-16 DI/DOP-M 12A -FLP
Shell Material	ABS+PC
Weight	245 g
Dimension (LxBxH)	155 x 60 x 22.8 (mm)
Load Current(PIN 1)	Max. 200 mA (Temperature-Dependent)
Input Signal	PNP, Type 3
Protection Grade	IP67(When All Protective Nuts Are Installed)
Supply Voltage	18 ... 30,2 V DC, Corresponding To EN 61131-2
Ripple Wave	< 1 %
No-Load Current	≤ 21mA
US total Current	3,5 A
UA total Current	9A
Ambient Temperature	-5 °C ... +70 °C
Storage Temperature	-20 °C ... +70 °C





Communicate Now

Statement:

- 1. The ownership of all product pictures, technical information and other contents of this manual belongs to Velle Electric, and has the final interpretation right of the relevant contents of this manual within the scope of legal permission.
- 2. All product pictures and relevant technical information in this manual are for reference only. Due to the upgrading of products and technologies, relevant contents may be updated accordingly, and the details shall be subject to the final product and technical information.
- 3. Without the formal written permission of Velle Electric, any enterprise or individual shall not Reprint, copy and disseminate the contents of this manual. In case of violation, Velle Electric will reserve the rights and interests of legal prosecution.

- **VELLE Electrical (ShangHai) Co., Ltd.**
- **Headquarters Operation Management Center**
- Tel : +86-21-62505095
- Fax : +86-21-62505080
- Website : www.velledq.com
- E-mail : velledq@velledq.com
- Add: No.1 Building, No.500 Shuhai Road of Songjiang Economic & Technological Development Zone ShangHai, China
- **VELLEDQ manufacturing center (Fujian)**
- Tel : +86-17720925777
- Fax : +86-596-6011678
- Address: Building 1, Yunxiang Industrial Park, Yunxiao County, Fujian Province
- All major cities in China have branches or agencies